

4

3

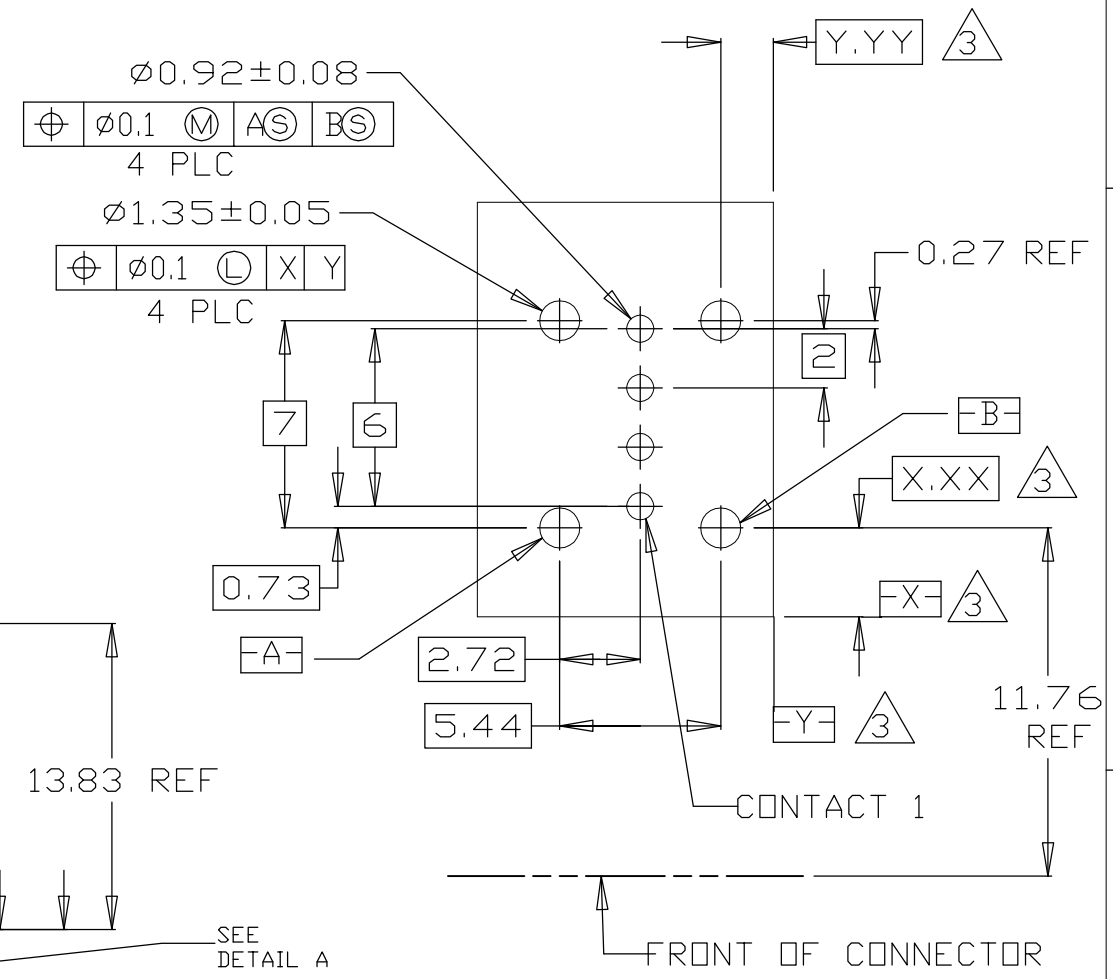
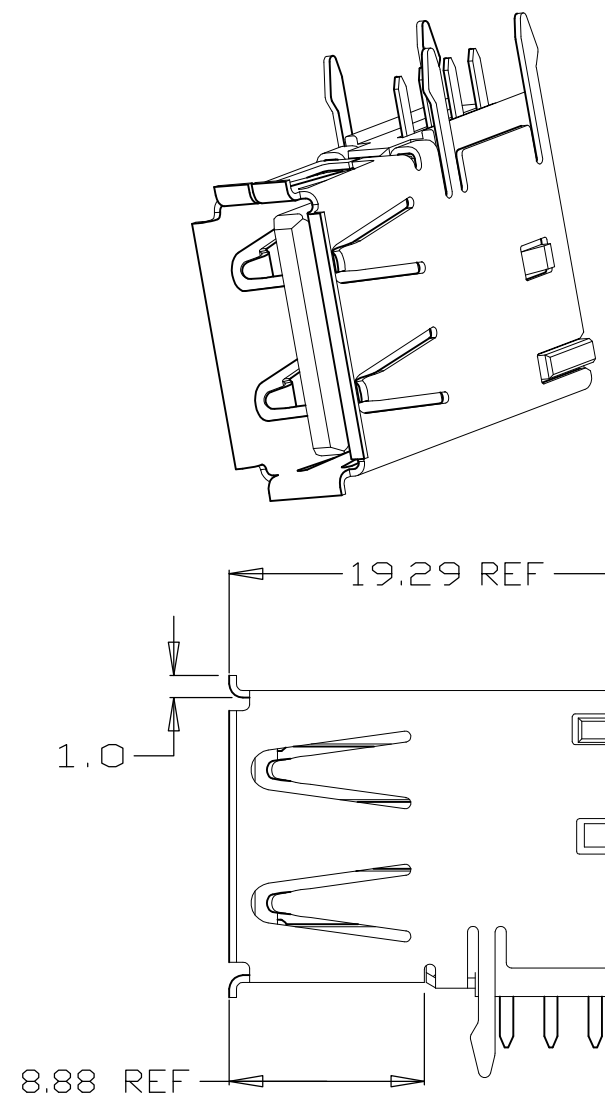
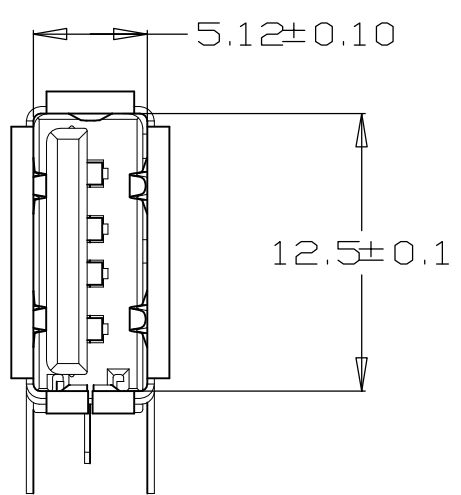
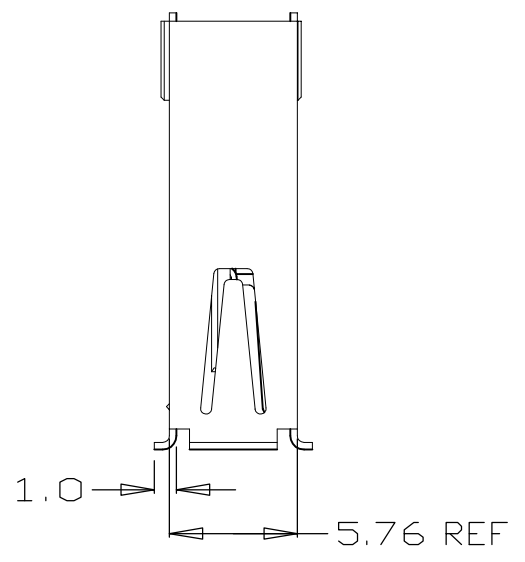
2

1

THIS DRAWING IS UNPUBLISHED. RELEASED FOR PUBLICATION

© COPYRIGHT BY -

LOC	DIST	REVISIONS			
P	LTR	DESCRIPTION	DATE	DWN	APVD
ES	00				
	A8	REVISED PER ECO-11-005033	24MAR11	RK	HMR
	B	REVISED PER ECR-14-009844	01JULY14	FL	JL
	C1	REVISED PER ECR-17-010413	20JULY17	TZ	HW



1 MATERIAL:  
CONTACTS - PHOSPHOR BRONZE  
SHELL - STAINLESS STEEL

2 PLATING:  
CONTACTS - 0.076 µm MINIMUM GOLD OVER 0.76 µm MINIMUM PALLADIUM-NICKEL  
ON MATING AREA, 3.8 µm MINIMUM MATTE TIN ON SOLDER TAILS, BOTH OVER 1.27 µm MINIMUM NICKEL  
SHELL 2~5 µm MINIMUM BRIGHT TIN.  
CONTACT ALTERNATE PLATING: 0.76 µm MINIMUM GOLD ON MATING AREA

3 DATUMS AND BASIC DIMENSIONS ESTABLISHED BY CUSTOMER

4 RECOMMENDED PC BOARD THICKNESS OF 1.57±0.18

5 HOUSING - UL 94V-0 RATED THERMOPLASTIC, NATURAL

6 HOUSING - UL 94V-0 RATED THERMOPLASTIC, BLACK

7 HOUSING - LCP, UL 94V-0, COLOR: BLACK.

DIMENSIONS:	TOLERANCES UNLESS OTHERWISE SPECIFIED:
mm	
	0 PLC ±-
	1 PLC ±-
	2 PLC ±0.13
	3 PLC ±-
	4 PLC ±-
	ANGLES ±-
MATERIAL	FINISH
1 5 6	2

DWN	J.JIANG	12MAR04
CHK	S.YAO	12MAR04
APVD	T.SASAKI	12MAR04
PRODUCT SPEC	-	-
APPLICATION SPEC	-	-
WEIGHT	-	-
CUSTOMER DRAWING		

1	7	292336-4
1	5	292336-2
1	6	292336-1
MATERIAL	PART NUMBER	



RECEPTACLE ASSEMBLY,  
RIGHT ANGLE FLAG, 4 POSITION,  
THRU-HOLE, USB

SIZE	CAGE CODE	DRAWING NO	RESTRICTED TO
A3	00779	C-292336	-
SCALE NON		SHEET 1 OF 1	REV C1

## X-ON Electronics

Largest Supplier of Electrical and Electronic Components

*Click to view similar products for [USB Connectors](#) category:*

*Click to view products by [TE Connectivity](#) manufacturer:*

Other Similar products are found below :

[65-647-8-BK-BU](#) [950](#) [952](#) [E8144-B01021-L](#) [A-USB B-TOP-C](#) [MUSBA511N5](#) [MUSBD11135](#) [217450-1](#) [CA 6 W LD](#) [KMBVX-TH-5S-B30](#)  
[896-30-004-00-000000](#) [KUSBVX-BS1N-W30](#) [KUSBX-AP-KIT-SCBLK](#) [KUSBX-AS2N-W](#) [KUSBX-SMT2AP1S-W](#) [KUSBX-SMT2AP1S-](#)  
[W30](#) [935](#) [957](#) [30-498-6](#) [17-210051](#) [1734082-1](#) [30-1574](#) [30-470](#) [30-489](#) [30-541](#) [30-572-3](#) [MAB 8 SN V](#) [A-USB A-2P-C](#) [MIKROE-1451](#)  
[USBFTV2PEM2G](#) [USBFTVC6ZN](#) [KUSBX-AS2N-W30](#) [KUSBX-SLAS1N-W](#) [KUSBX-SMT-AS1N-W30](#) [4689-1](#) [1-1734084-2](#) [E8110-001-](#)  
[01](#) [33UBARS1-04SW11](#) [33UBAR-04SW11](#) [USBF21ZNSCC](#) [USBBFTV6ZC](#) [MUSBB151341](#) [10135326-001LF](#) [M9177/3-1](#) [USB-A-S-F-B-](#)  
[VT](#) [925](#) [4198](#) [690-024-633-031](#) [KUSBEX-BSFS1N-W](#) [USBFTVC6MRG](#)