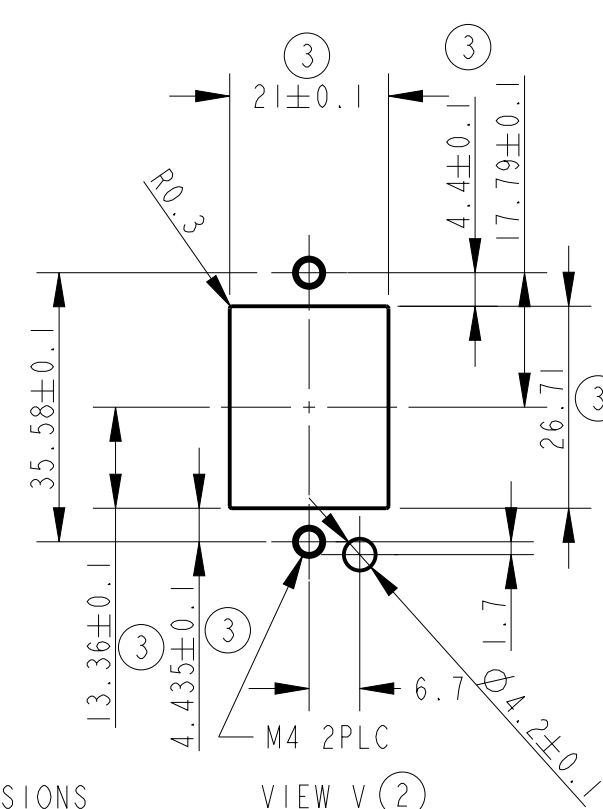
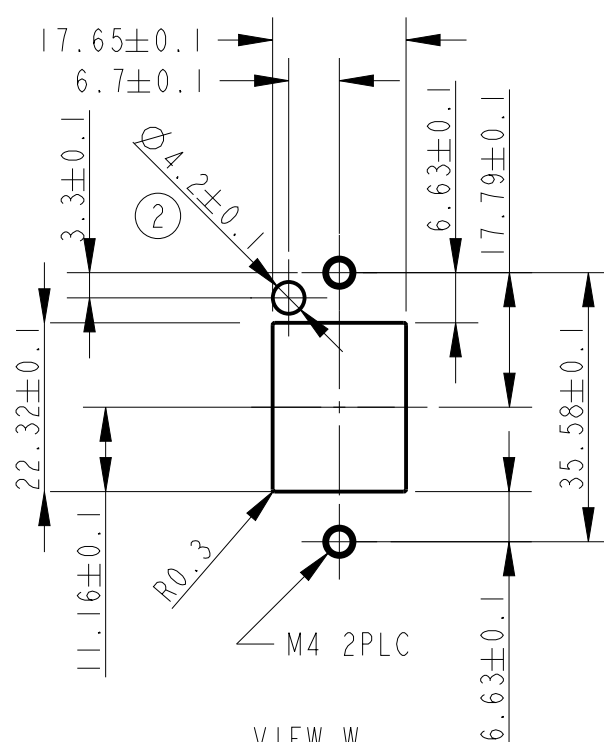
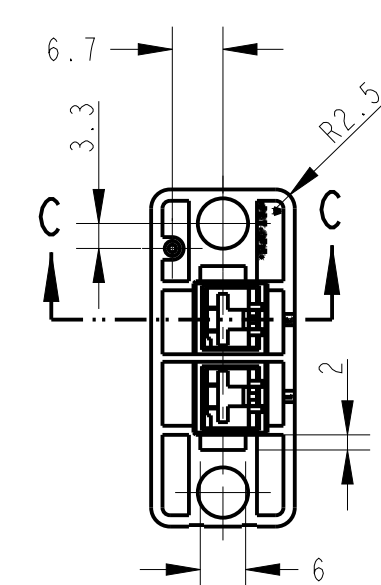
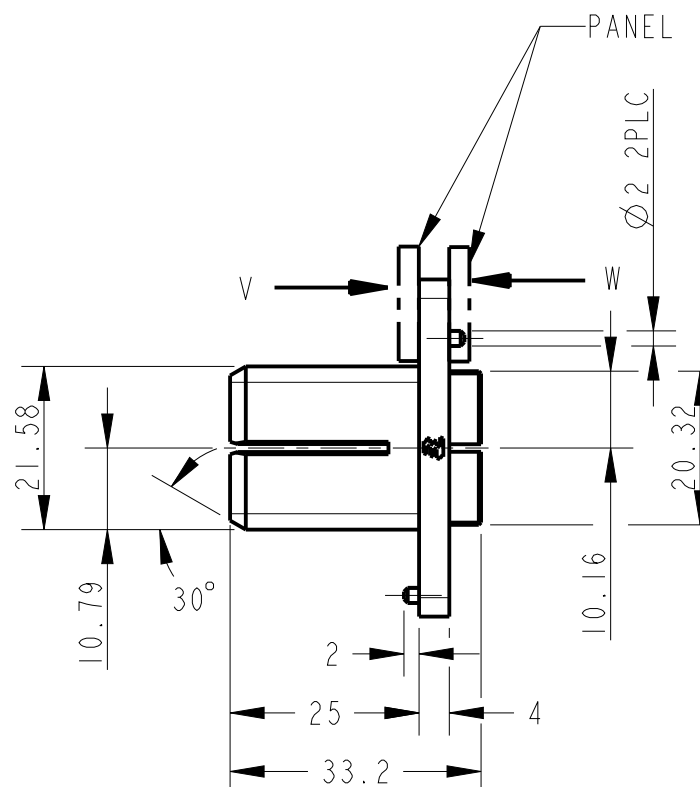
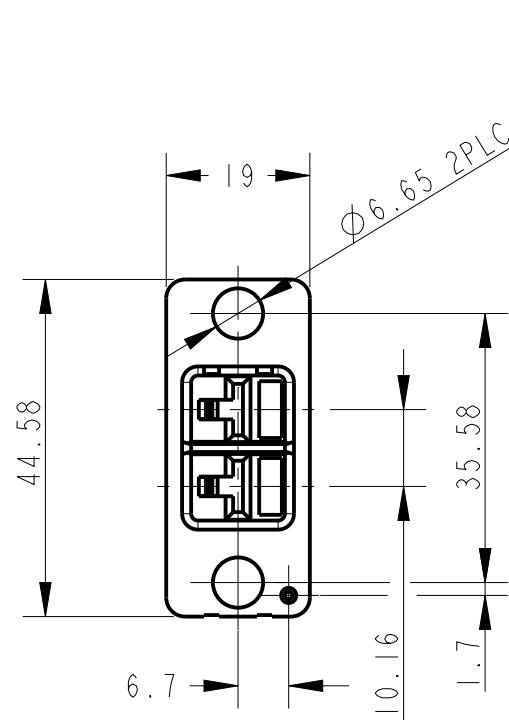
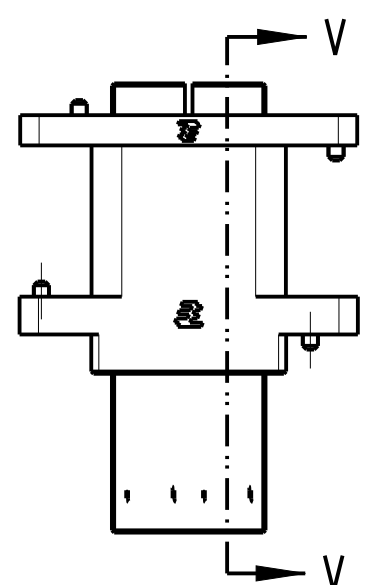


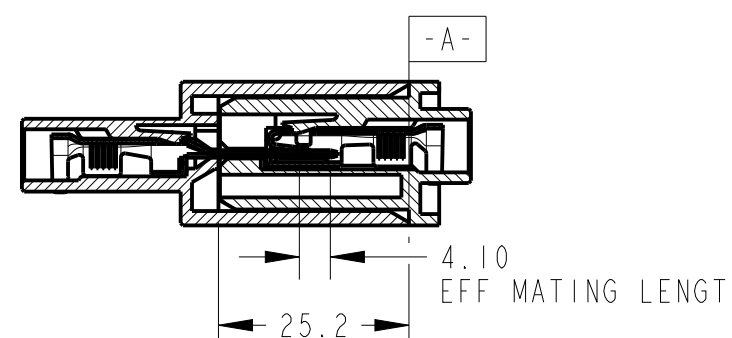
P	LTR	DESCRIPTION	DATE	DWN	APVD
A		REVISED ECR-05-001347	05APR05	C.Z	I.E
AI		REVISED ECR-20-018119	29DEC2020	A.W	R.B



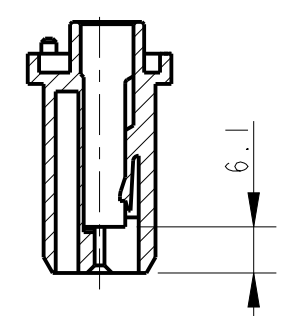
PANEL CUT DIMENSIONS
(CONNECTOR MATING SIDE)
RECOMMENDED PANEL THK: 1.0~1.6mm



MATED CONDITION



SECTION V-V
(DYNAMIC CONTACT)



SECTION C-C

NOTES:
1. APPLICABLE CONNECTOR & CONTACTS:

CIRCUIT TYPE	FINISH	AWG	APPLICABLE CONNECTOR/ CONTACT P/N	REMARKS
HIGH CURRENT CIRCUITS	GOLD PLT	#10-12	179956-X	STRIP
		#14-16	179955-X	STRIP

2. MATERIAL:
HOUSING: PBT G.F. UL94V-0 COLOR: BLACK
3. MATING COUNTER P/N: 292352-1
4. RECOMMENDED SCREW LOCKING TORQUE: 10~15kgf·cm (0.98~1.47Nm)

2	292353-1
No. OF POSITIONS (HIGH CURRENT)	P/N

THIS DRAWING IS A CONTROLLED DOCUMENT.		DWN	ROY HAO	09APR04	TE TE Connectivity
DIMENSIONS: mm		CHK	STEVEN YAO	09APR04	
TOLERANCES UNLESS OTHERWISE SPECIFIED:		APVD	T SAKAKI	09APR04	
0 PLC ±0.25 1 PLC ±0.25 2 PLC ±0.25 3 PLC ±0.25 4 PLC ± ANGLES ±3°		PRODUCT SPEC	108-51030		
MATERIAL		APPLICATION SPEC	114-51009		NAME
FINISH		WEIGHT	-		REC HOUSING FOR 1.5mm PITCH MINI CT HIGH CURRENT HYBRID DRAWER CONNECTOR
CUSTOMER DRAWING		SCALE	1:1		RESTRICTED TO
		SHEET	3 OF 1		REV
					AI

X-ON Electronics

Largest Supplier of Electrical and Electronic Components

Click to view similar products for [Headers & Wire Housings](#) category:

Click to view products by [TE Connectivity](#) manufacturer:

Other Similar products are found below :

[892-18-020-10-001101](#) [58102-G61-06LF](#) [582553-1](#) [0009485154](#) [009176003701906](#) [0050291907](#) [LY20-4P-DT1-P1E-BR](#) [02.125.8002.8](#)
[609-3404](#) [61062-3](#) [61082-181009](#) [622-3653LF](#) [63453-116](#) [636-1030](#) [636-1427](#) [636-3427](#) [636-4007](#) [641938-9](#) [641991-4](#) [644827-2](#) [65817-010LF](#) [65817-015LF](#) [65863-015LF](#) [66207-023LF](#) [67095-007LF](#) [67601157](#) [68645-018](#) [68648-049](#) [70.362.1628.0](#) [70-4210](#) [70-4226B](#) [70-4853B](#) [707-5020](#) [707-5028](#) [71.350.2428.0](#) [71918-208LF](#) [71961-016LF](#) [733-134](#) [733-162](#) [754199-000](#) [760-3052](#) [787-8014-00](#) [79531-3000](#)
[FCN-360C032-B](#) [FCN-367T-T012/H](#) [FCN-723D010/2](#) [80.063.4001.1](#) [800-90-001-10-001000](#) [800-90-010-10-002000](#) [801-43-002-10-013000](#)