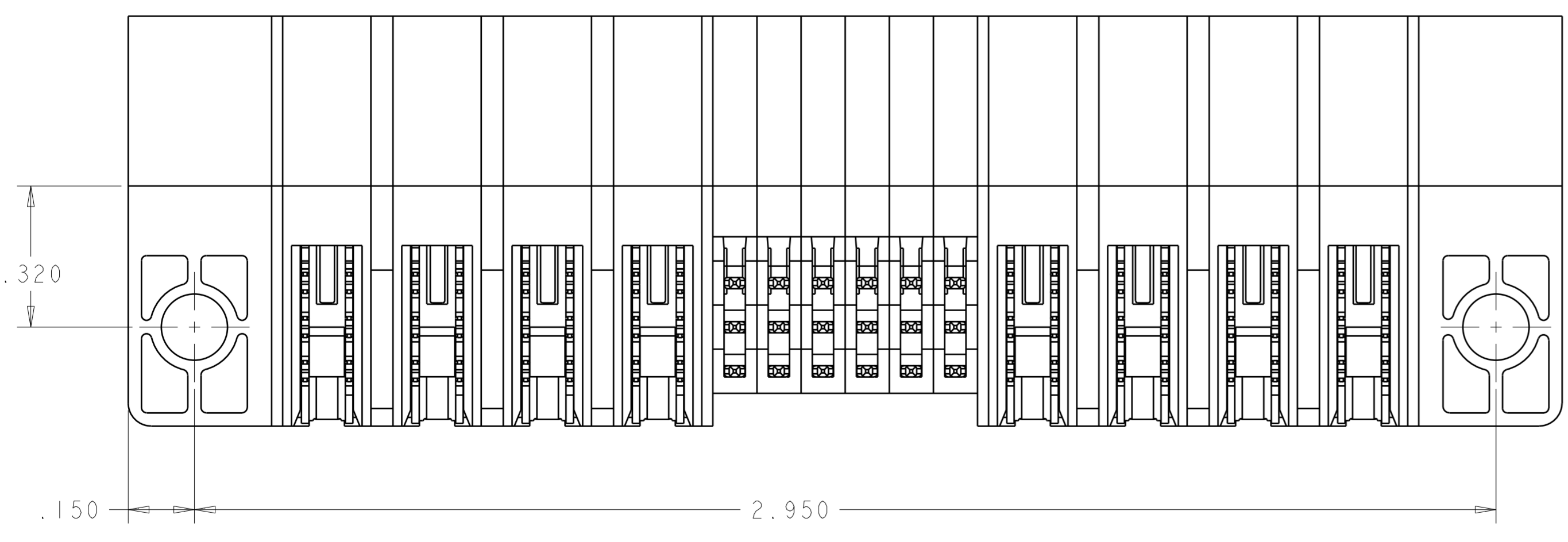
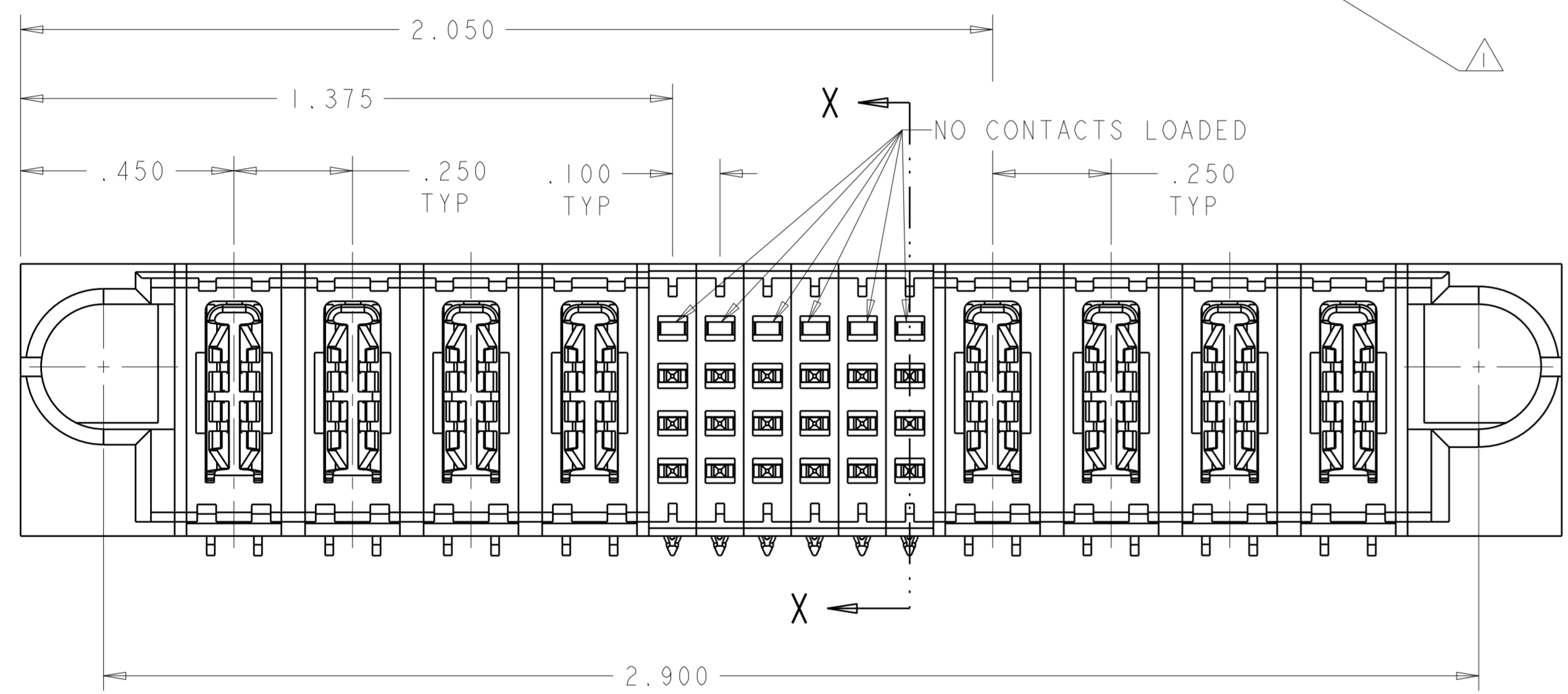
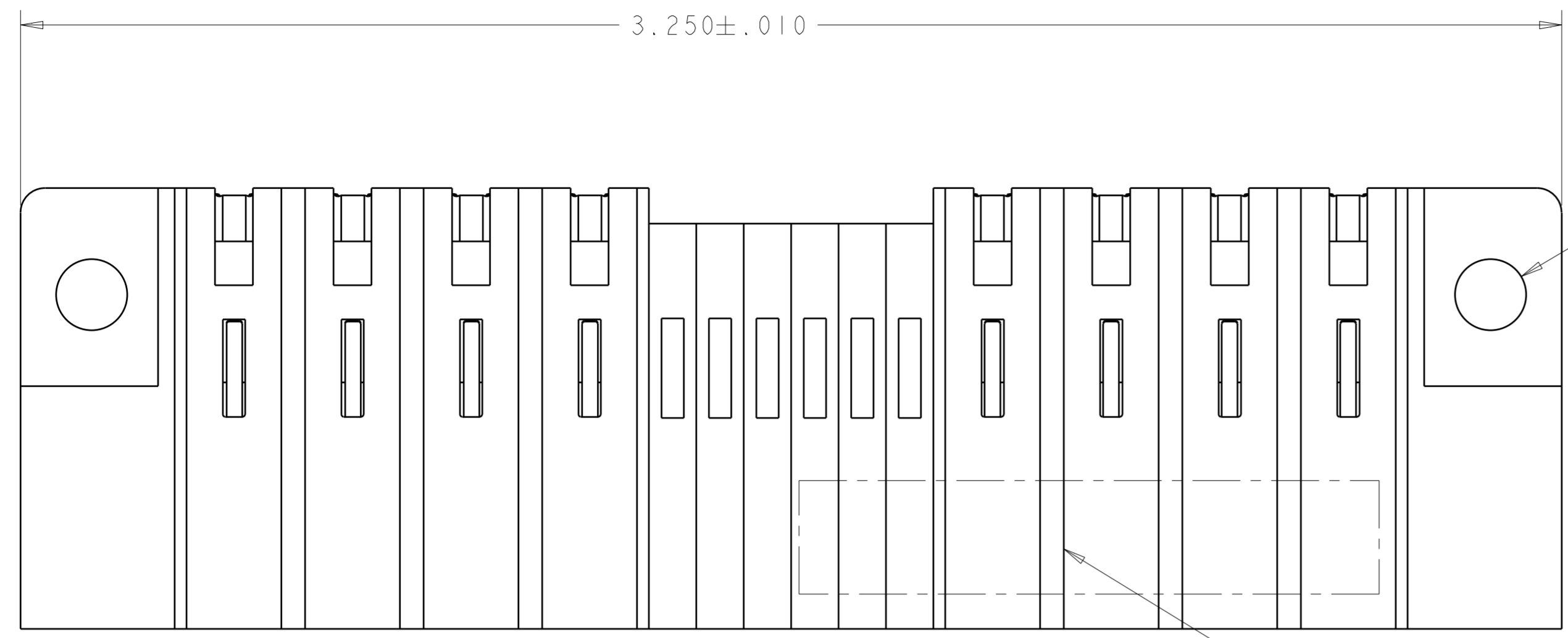
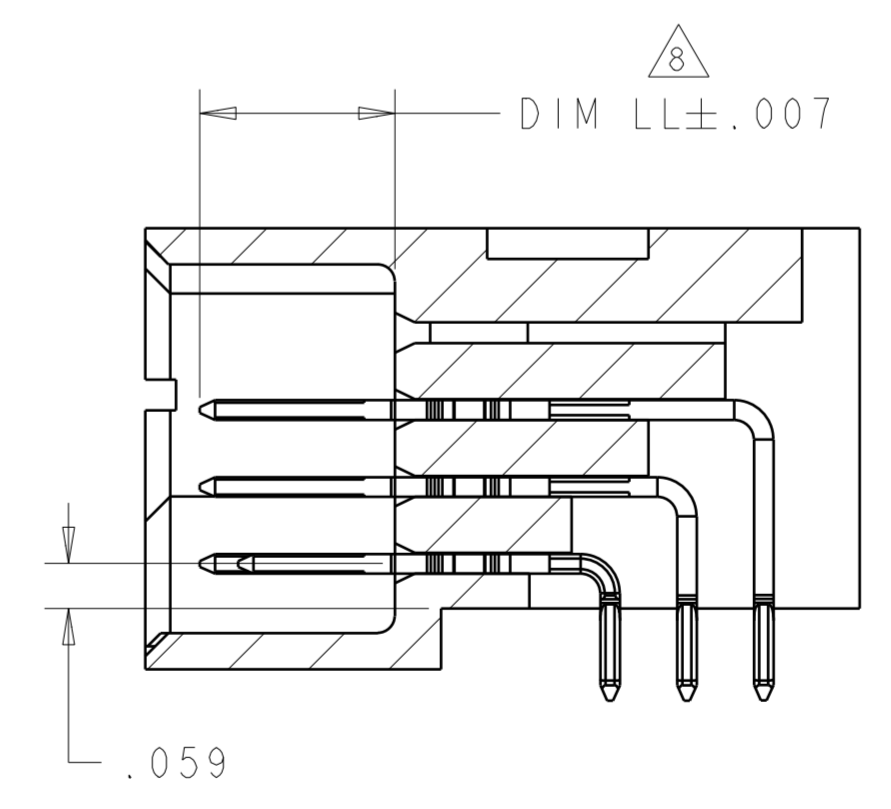
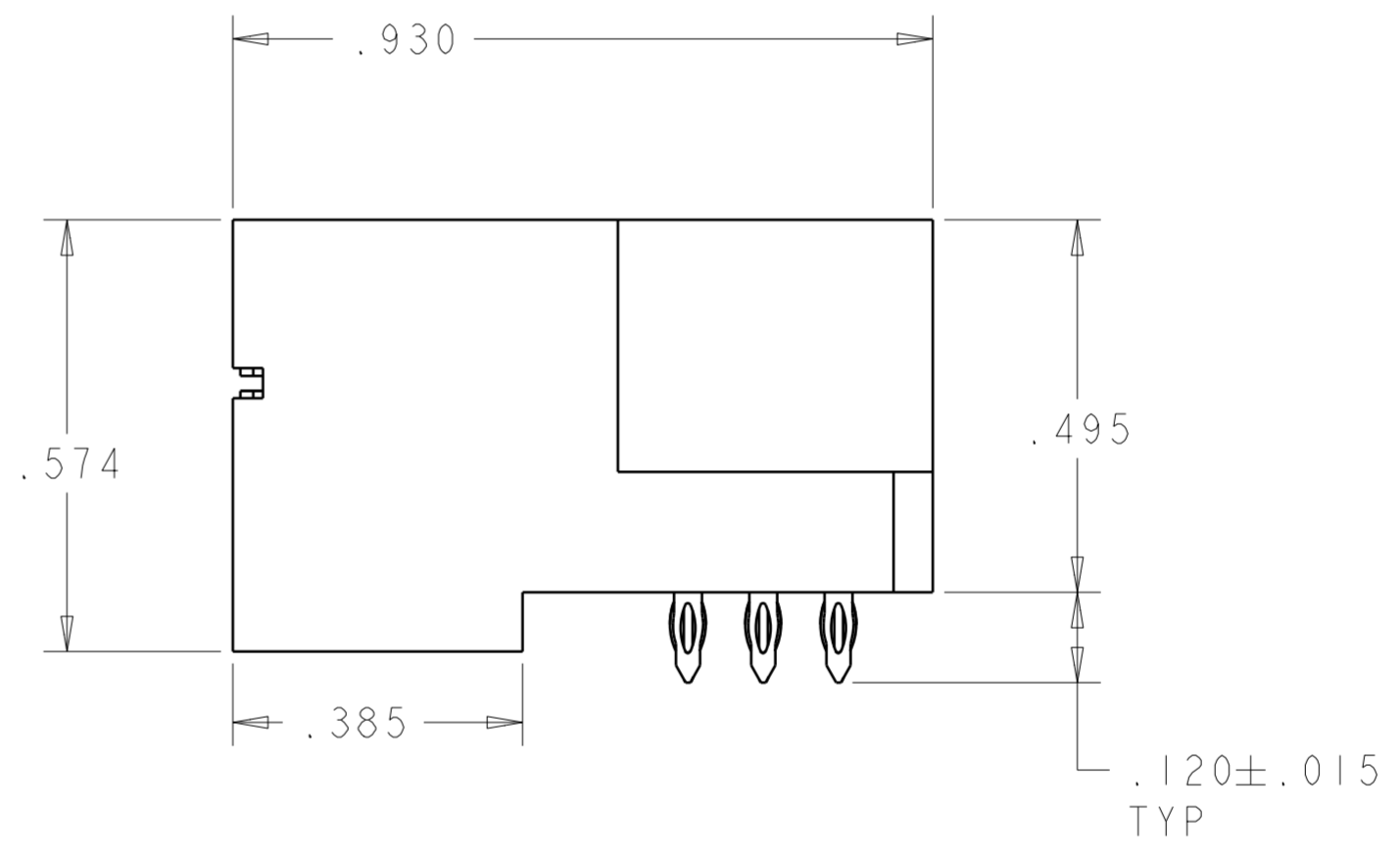


LOC	DIST	REVISIONS			
ES	00	REV	DATE	BY	APVD
		A	21SEP2007	DZ	SY



- 1 PART NUMBER, AND DATE CODE MARKED IN AREA SHOWN. MARKING ON BOTH SIDES PERMITTED FOR PARTS UNDER 2.00 LONG.
- 2 MATERIAL:
 HOUSING - GLASS FILLED HIGH TEMP THERMO PLASTIC, UL94 V-0, BLACK
 SIGNAL CONTACT - COPPER ALLOY
 POWER CONTACT - HIGH CONDUCTIVITY COPPER ALLOY
- 3 CONTACT PLATING:
 SIGNAL CONTACTS - .000050 MIN Ni UNDER ALL.
 .000030 MIN Au ON CONTACT AREA.
 .000100 MIN Sn AT PCB INTERFACE.
 POWER CONTACTS - .000050 MIN Ni UNDER ALL.
 .000030 MIN Au ON CONTACT AREA.
 .000100 MIN Sn AT PCB INTERFACE.
- 4 MECHANICAL CONNECTOR KEEP OUT ZONE.
- 5 DATUM AND BASIC DIMENSIONS ESTABLISHED BY CUSTOMER.
- 6 PCB - ALL HOLE DIAMETERS ARE FINISHED HOLE SIZES.
- 7 PCB - .0453 ± .0010 DRILLED HOLES PLATED WITH .0003 MIN Sn OVER .001 TO .003 Cu PLATING TO ACHIEVE A .040 HOLE.
- 8 DIM LL FOR STANDARD SIGNAL CONTACT = .254
 MLBF SIGNAL CONTACT = .204

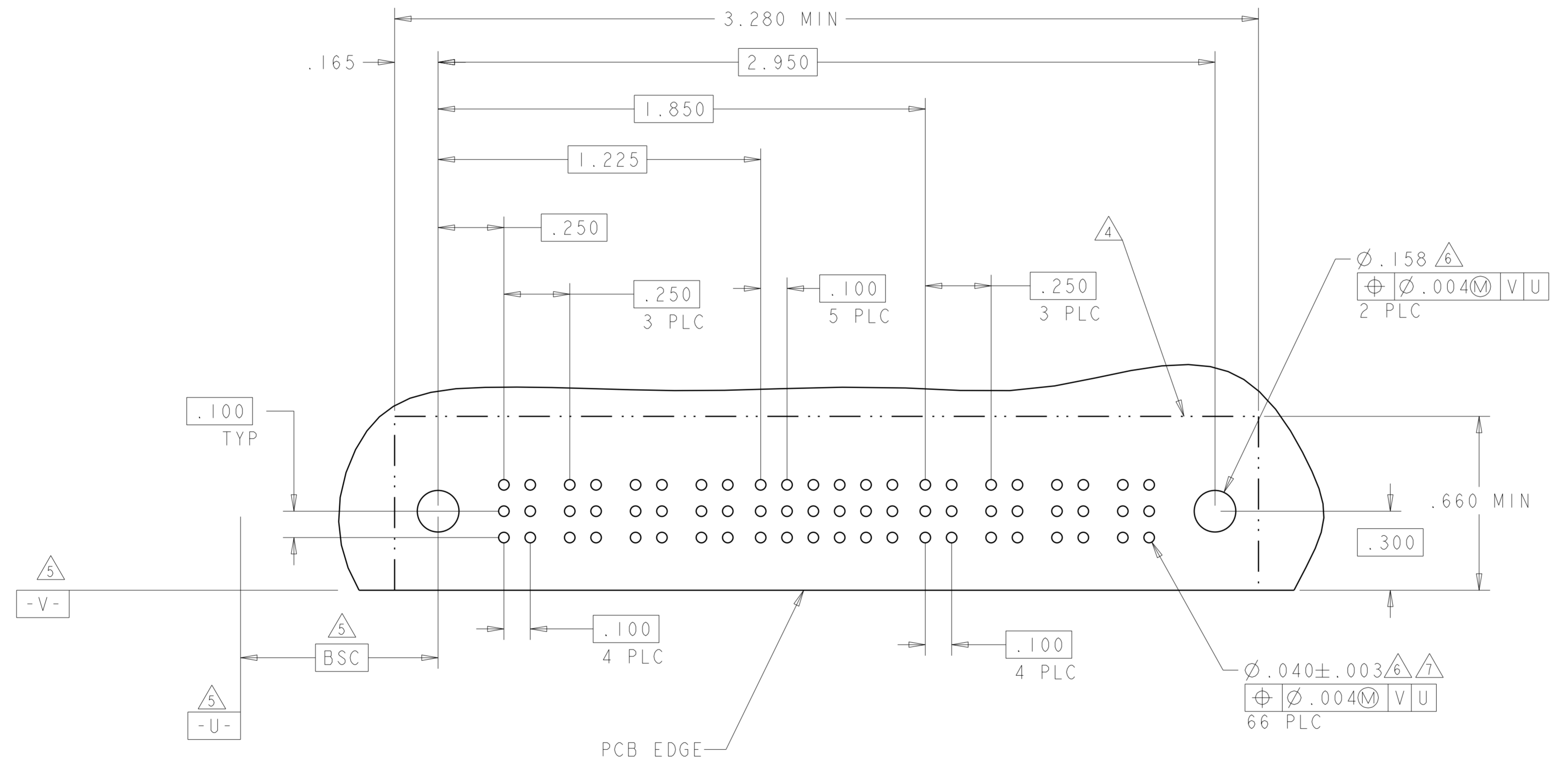
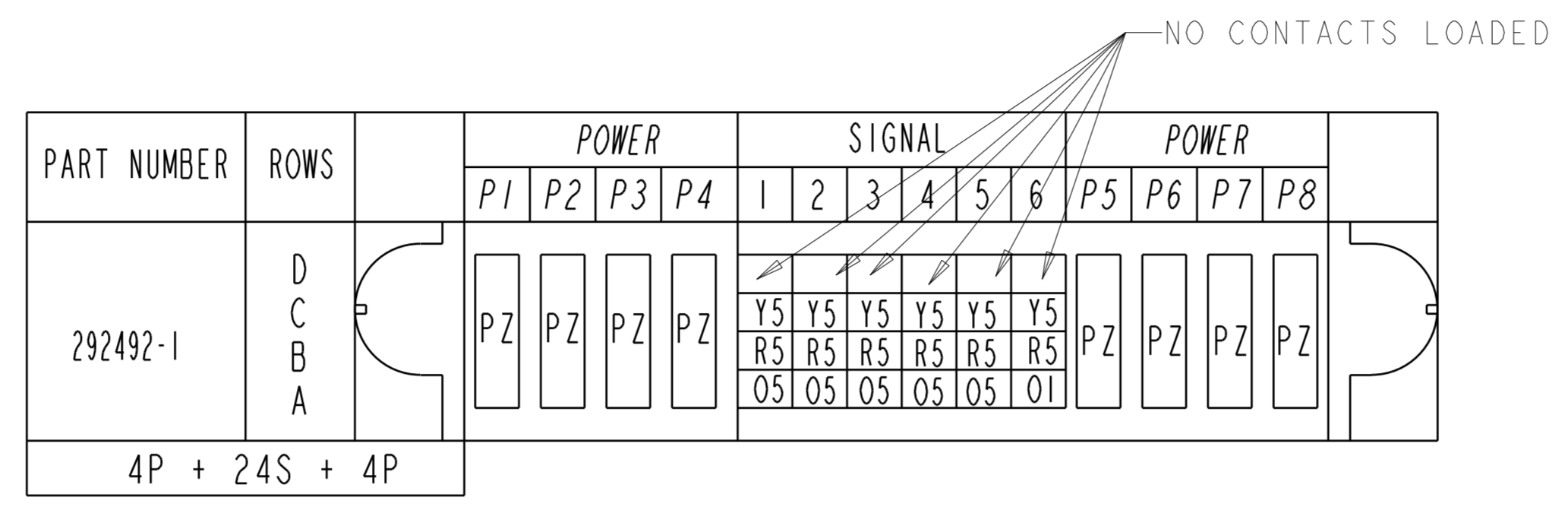


SECTION X-X
 SCALE 4:1

4P + 24S + 4P	292492-1
DESCRIPTION	PART NUMBER

DIMENSIONS: INCHES 		TOLERANCES UNLESS OTHERWISE SPECIFIED: 0 PLC ±0 1 PLC ±0.1 2 PLC ±0.02 3 PLC ±0.005 4 PLC ±0.0005 ANGLES ±0°		DWN: D. ZHU CHK: S. ZHAO APVD: S. YAO PRODUCT SPEC: 108-1973 APPLICATION SPEC: 114-13038 WEIGHT: -		NAME: Tyco Electronics Corporation Shanghai, P.R.China, 200233 RIGHT ANGLE HEADER MULTI-BEAM XL W/GUIDES MOUNTING HOLES, PRESS FIT	
MATERIAL: 2		FINISH: 3		CUSTOMER DRAWING		SCALE: 1:1 SHEET: 1 OF 2 REV: A	

LOC	DIST	REVISIONS			
ES	00	REV	DATE	BY	APPV
		1			
		2			
		3			
		4			
		5			
		6			
		7			
		8			
		9			
		10			



DESCRIPTION	CODE
STD SIGNAL CONTACT PRESS FIT, .120 TAIL LENGTH ROW C	Y5
STD SIGNAL CONTACT PRESS FIT, .120 TAIL LENGTH ROW B	R5
STD SIGNAL CONTACT PRESS FIT, .120 TAIL LENGTH ROW A	O5
MLBF SIGNAL CONTACT PRESS FIT, .120 TAIL LENGTH ROW A	O1
POWER CONTACT, R/A HDR, .120 PRESS FIT	PZ

<small>THIS DRAWING IS A CONTROLLED DOCUMENT FOR TYCO ELECTRONICS CORPORATION. IT IS SUBJECT TO CHANGE AND THE CONTROLLING ENGINEERING DEPARTMENT SHOULD BE CONTACTED FOR THE LATEST REVISION.</small>		DWN: 27SEP2007 D. ZHU CHK: 27SEP2007 S. ZHAO	Tyco Electronics Corporation Shanghai, P.R.China, 200233
DIMENSIONS: INCHES	TO DIMENSIONS UNLESS OTHERWISE SPECIFIED: 0 PLC ±0 1 PLC ±0.1 2 PLC ±0.02 3 PLC ±0.005 4 PLC ±0.0005 ANGLES ±30°	APVD: S. YAO PRODUCT SPEC: 108-1973 APPLICATION SPEC: 114-13038 WEIGHT: -	NAME: RIGHT ANGLE HEADER MULTI-BEAM XL W/GUIDES MOUNTING HOLES, PRESS FIT SIZE: A1 CASE CODE: 00779 DRAWING NO: C=292492 RESTRICTED TO: -
MATERIAL: -	FINISH: -	CUSTOMER DRAWING SCALE: 1:1 SHEET 2 OF 2 REV A	

X-ON Electronics

Largest Supplier of Electrical and Electronic Components

Click to view similar products for [Power to the Board](#) category:

Click to view products by [TE Connectivity](#) manufacturer:

Other Similar products are found below :

[6450171-4](#) [6450552-7](#) [6600323-8](#) [6643429-1](#) [6646040-2](#) [6651939-1](#) [6766604-1](#) [120959-1](#) [1393557-2](#) [1393532-2](#) [1393532-3](#) [1393532-4](#)
[1393557-1](#) [1600812-5](#) [1-6450861-2](#) [1744132-7](#) [1761122-1](#) [1766250-1](#) [1892109-1](#) [2-6450860-5](#) [2-6450870-0](#) [1-6450161-4](#) [1-6450850-6](#) [1-6450869-6](#) [1645526-2](#) [1-6600130-0](#) [2005243-2](#) [377-0020-11130](#) [TE34-12-16P-F0](#) [5-6450830-6](#) [5646956-4](#) [377-0080-11131A](#) [4-6450830-9](#)
[4-6600333-3](#) [10125416-4050LF](#) [6600320-3](#) [3-6450860-5](#) [1888123-2](#) [6450166-1](#) [6643978-1](#) [6766605-1](#) [701-15-02109](#) [N11444](#) [6651938-1](#)
[6450810-7](#) [46437-1112](#) [1-1589677-8](#) [5646956-5](#) [6450813-2](#) [6450129-4](#)