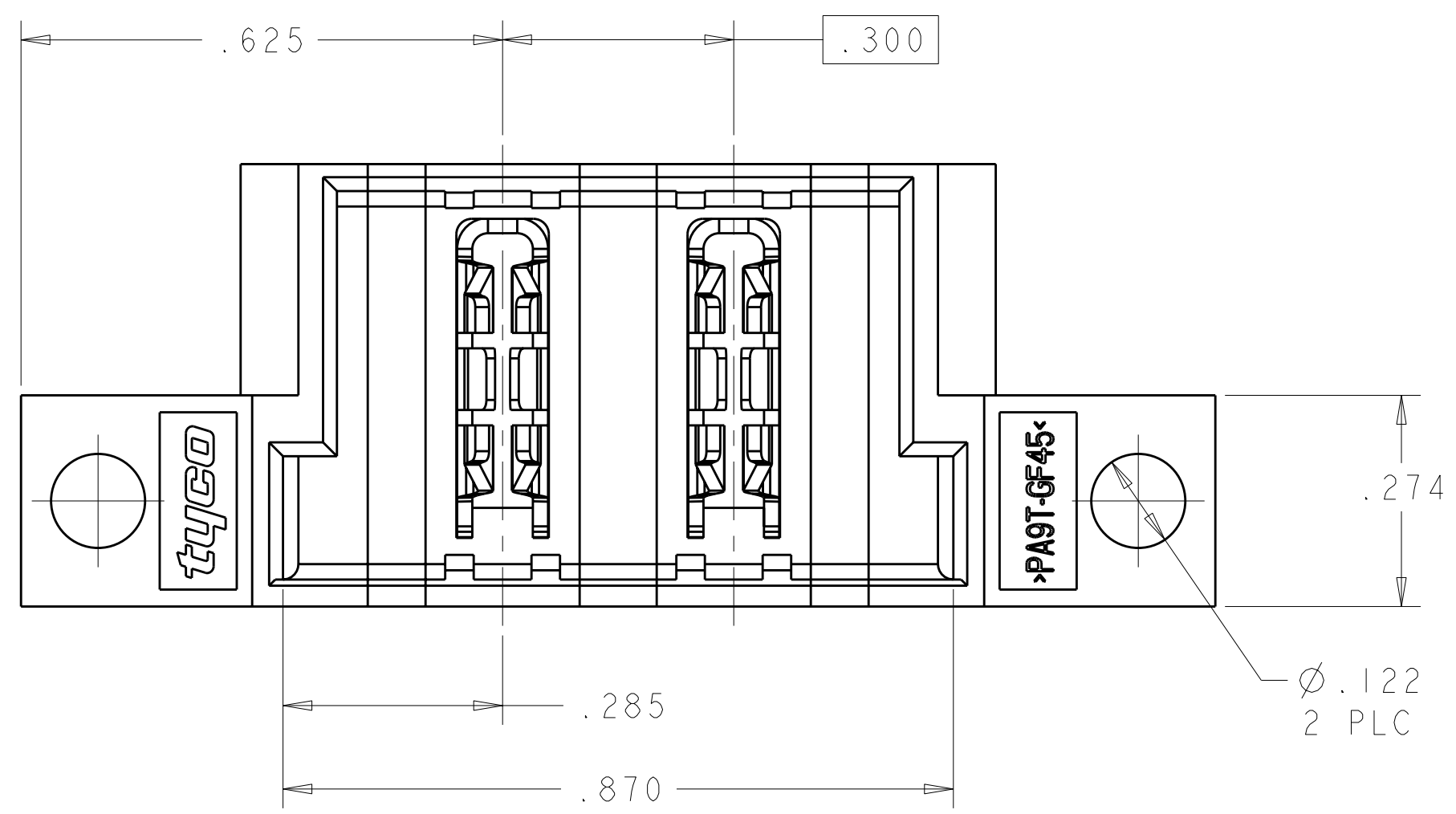
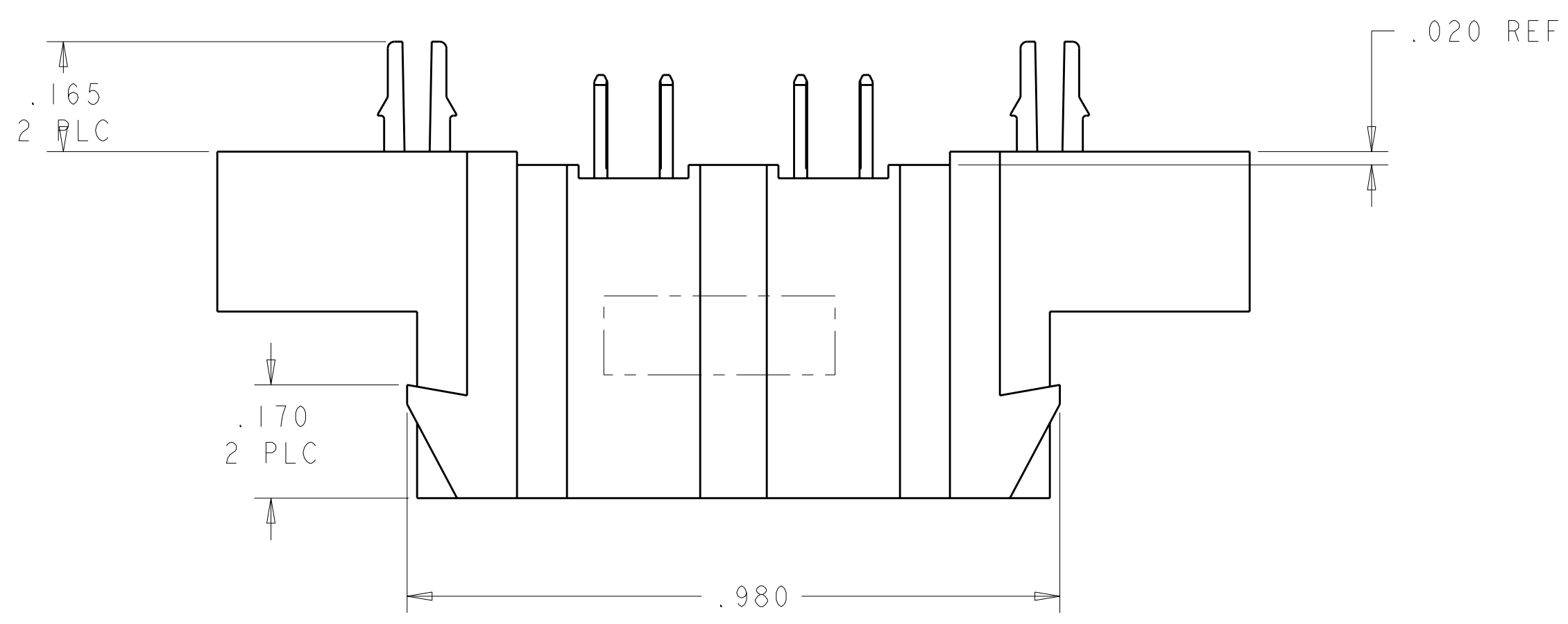
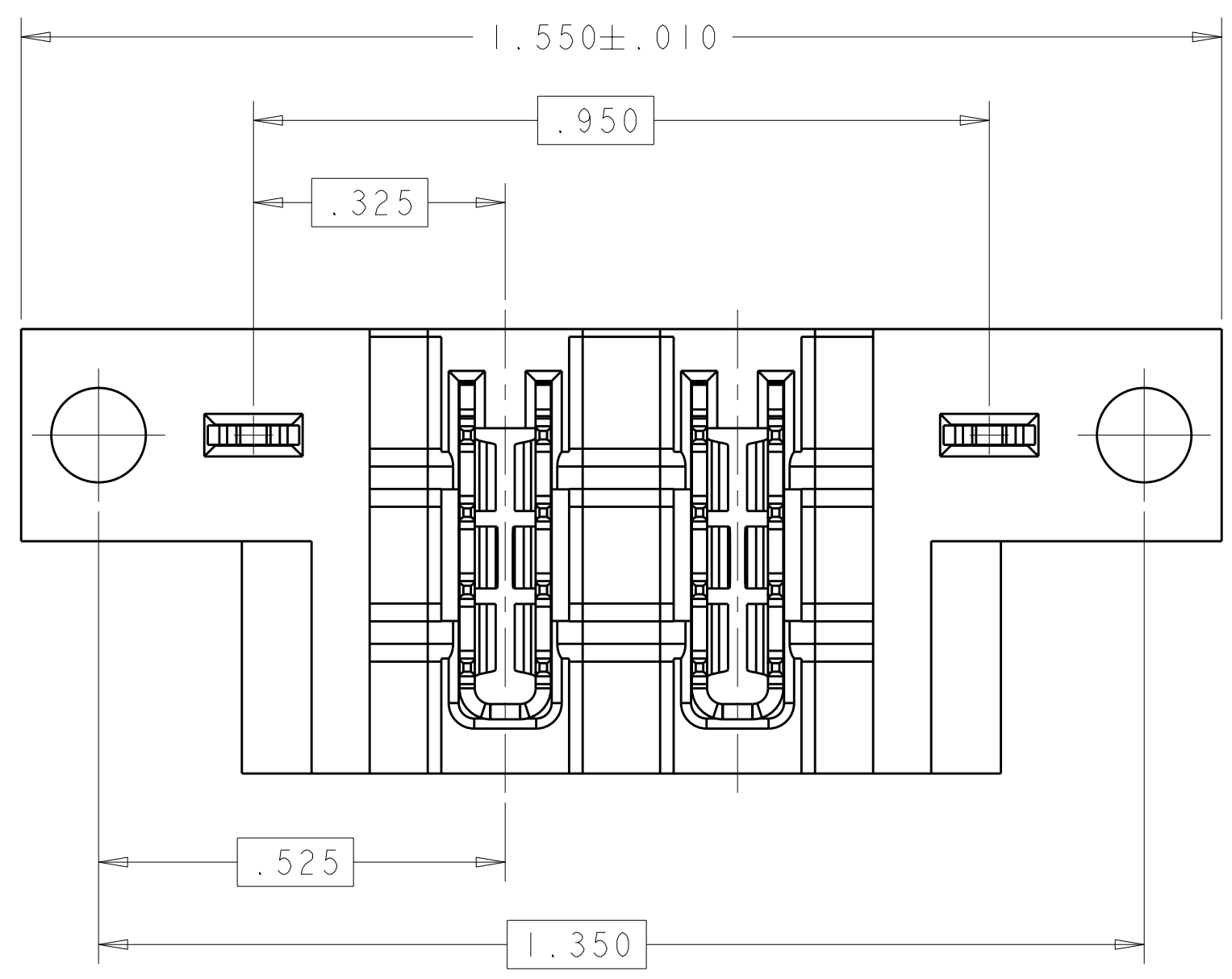
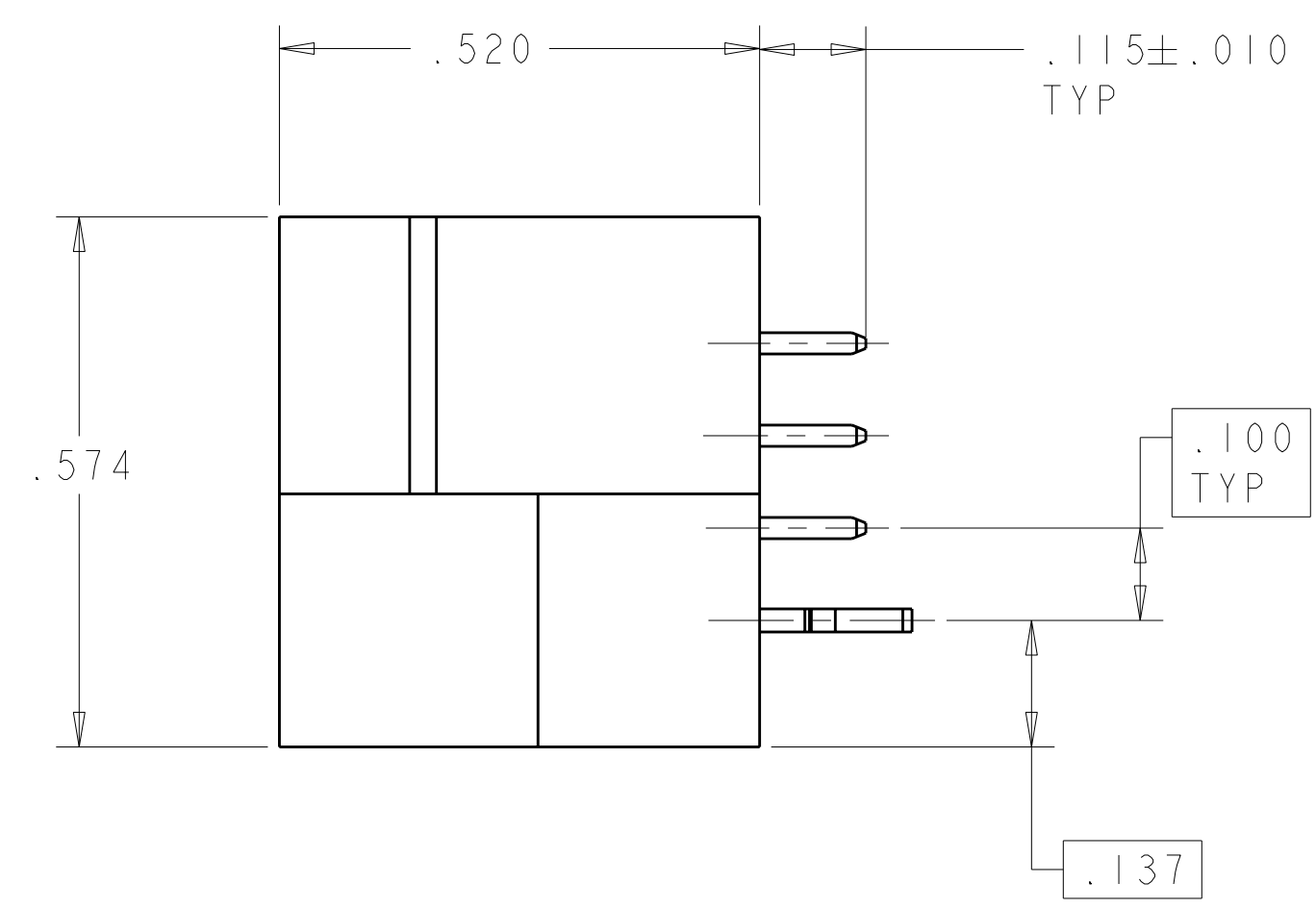


LOC	DIST	REVISIONS					
ES	00	P	LTR	DESCRIPTION	DATE	DWN	APVD
		2		REV PER ECR-07-004786	28FEB2007	SZ	SY



- ⚠️ HEADER HOUSING: THERMO PLASTIC, BLACK, UL94 V-0; CONTACTS AND RETENTION CLIPS: COPPER ALLOY.
- ⚠️ POWER CONTACTS: .000030 MIN GOLD IN MATING AREA, .000100 MIN TIN ON POST AREAS, BOTH OVER .000050 MIN NICKEL. RETENTION CLIP: .000115 MIN TIN.
- ⚠️ "AMP", PART NUMBER AND DATE CODE MARKED IN THIS AREA. PARTS UNDER 2.50 LONG MAY BE MARKED ON BOTH SIDES.
- ⚠️ DATUM AND BASIC DIMENSIONS ESTABLISHED BY CUSTOMER.
- ⚠️ PCB - ALL HOLE DIAMETERS ARE FINISHED HOLE SIZES.
- ⚠️ MECHANICAL CONNECTOR KEEP OUT ZONE.
- ⚠️ CUSTOMER SUPPLIES (2) #4-40UNC SCREWS, HARDWARE TO BE USED TO MOUNT HEADER ASSEMBLY TO PC BOARD.

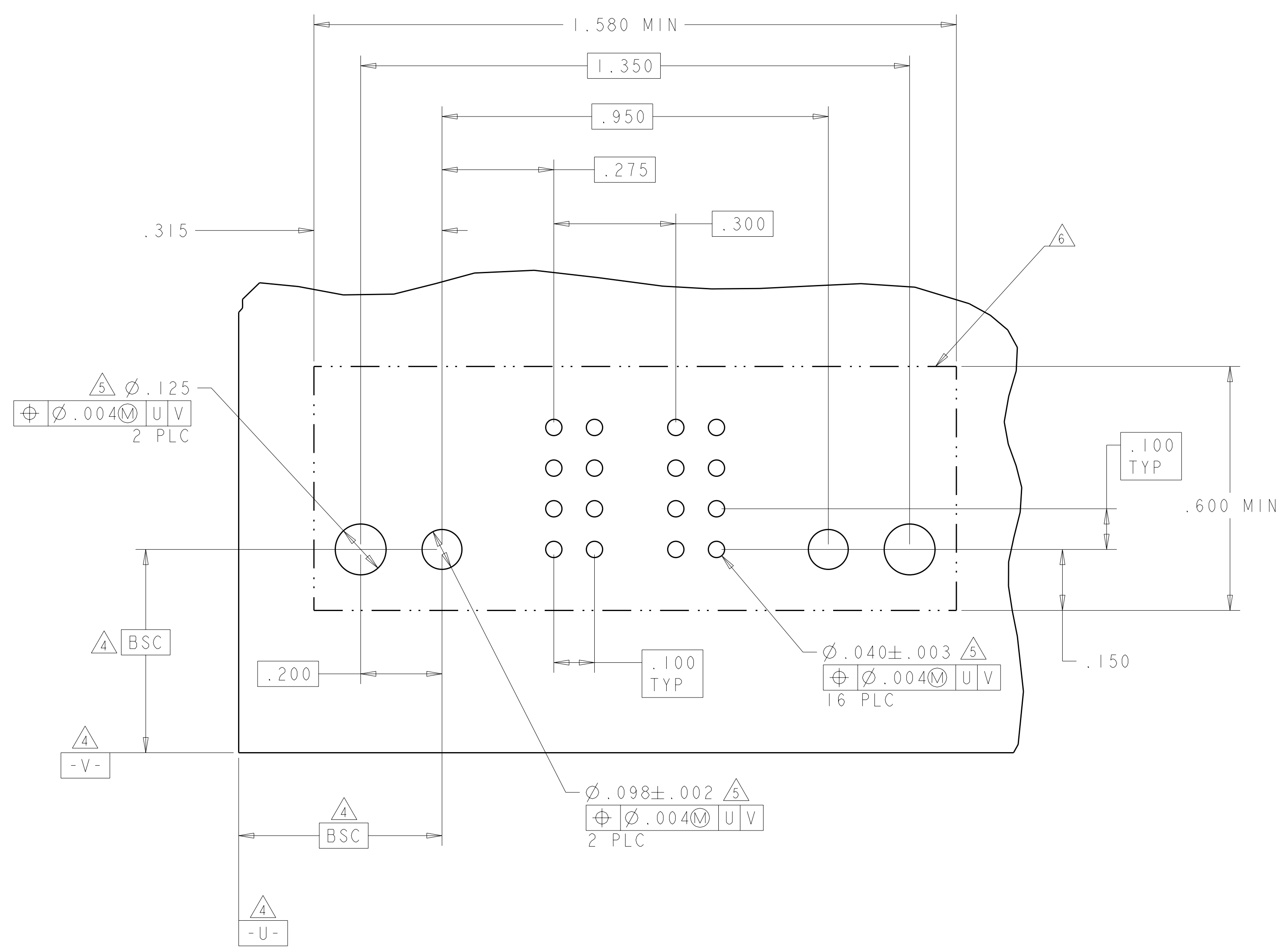


2ACP	292497-1
DESCRIPTION	PART NUMBER

<small>THIS DRAWING IS UNPUBLISHED. RELEASED FOR PUBLICATION BY TYCO ELECTRONICS CORPORATION, ALL RIGHTS RESERVED.</small>		DWN: S. ZHAO 08JAN2007 CHK: S. ZHAO 08JAN2007 APVD: S. YAO	Tyco Electronics Shanghai, P.R.China, 200233
DIMENSIONS: INCHES TOLERANCES UNLESS OTHERWISE SPECIFIED: 9 PLC ± 1 PLC ± 2 PLC ± 3 PLC ±.005 4 PLC ± ANGLES ±	PRODUCT SPEC: 108-1973 APPLICATION SPEC: 114-13038	NAME: VERICAL HEADER ASSEMBLY, W/LATCH RECEIVERS, SOLDER TAIL, TYPE P, MULTI-BEAM XL SIZE: A CAGE CODE: 100779 DRAWING NO: C=292497	RESTRICTED TO: - SCALE: 3:1 SHEET: 1 OF 2 REV: 2
MATERIAL:  FINISH:		CUSTOMER DRAWING	

LOC	DIST	REV	DATE	BY	APPD
ES	00				
REVISIONS			DESCRIPTION	DATE	DWN
			SEE SHEET 1		

PART NUMBER	ROWS	POWER	
		P1	P2
292497-1	D C B A	SZ	SZ
2ACP		HD	HD



MATING SEQUENCE	DESCRIPTION	IDENTIFIER
-	RETENTION CLIP	HD
-	POWER CONTACT	SZ

DIMENSIONS: INCHES 		TOLERANCES UNLESS OTHERWISE SPECIFIED: 9 PLC ± 8 PLC ± 7 PLC ± 6 PLC ±.005 5 PLC ± 4 PLC ± ANGLES ± FINISH ±		DWN S. ZHAO 08JAN2007 CHK S. ZHAO 08JAN2007 APVD S. YAO PRODUCT SPEC 108-1973 APPLICATION SPEC 114-13038 WEIGHT CUSTOMER DRAWING		Tyco Electronics Shanghai, P.R.China. 200233 NAME: VERICAL HEADER ASSEMBLY, W/LATCH RECEIVERS, SOLDER TAIL, TYPE P, MULTI-BEAM XL SIZE: CAGE CODE DRAWING NO. RESTRICTED TO A1100779C=292497 SCALE 3:1 SHEET 2 OF 2 REV 2	
------------------------	--	--	--	--	--	--	--

## X-ON Electronics

Largest Supplier of Electrical and Electronic Components

*Click to view similar products for [Power to the Board](#) category:*

*Click to view products by [TE Connectivity](#) manufacturer:*

Other Similar products are found below :

[6450171-4](#) [6450552-7](#) [6600323-8](#) [6643429-1](#) [6646040-2](#) [6651939-1](#) [6766604-1](#) [120959-1](#) [1393557-2](#) [1393532-2](#) [1393532-3](#) [1393532-4](#)  
[1393557-1](#) [1600812-5](#) [1-6450861-2](#) [1744132-7](#) [1761122-1](#) [1766250-1](#) [1892109-1](#) [2-6450860-5](#) [2-6450870-0](#) [1-6450161-4](#) [1-6450850-6](#) [1-](#)  
[6450869-6](#) [1645526-2](#) [1-6600130-0](#) [2005243-2](#) [377-0020-11130](#) [TE34-12-16P-F0](#) [51700-10201602AALF](#) [5-6450830-6](#) [5646956-4](#) [377-](#)  
[0080-11131A](#) [4-6450830-9](#) [4-6600333-3](#) [10125416-4050LF](#) [10130248-005LF](#) [6600320-3](#) [3-6450860-5](#) [1888123-2](#) [6450166-1](#) [6643978-1](#)  
[6766605-1](#) [701-15-02109](#) [N11444](#) [6651938-1](#) [6450810-7](#) [46437-1112](#) [1-1589677-8](#) [5646956-5](#)