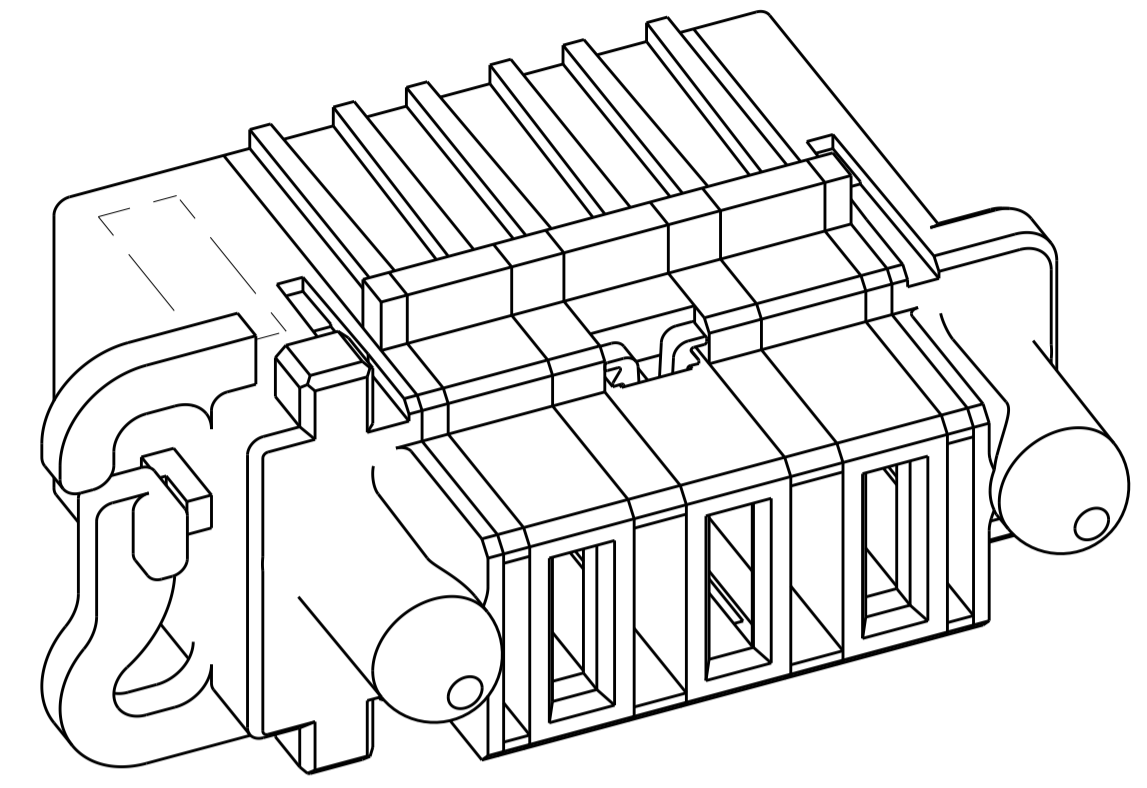
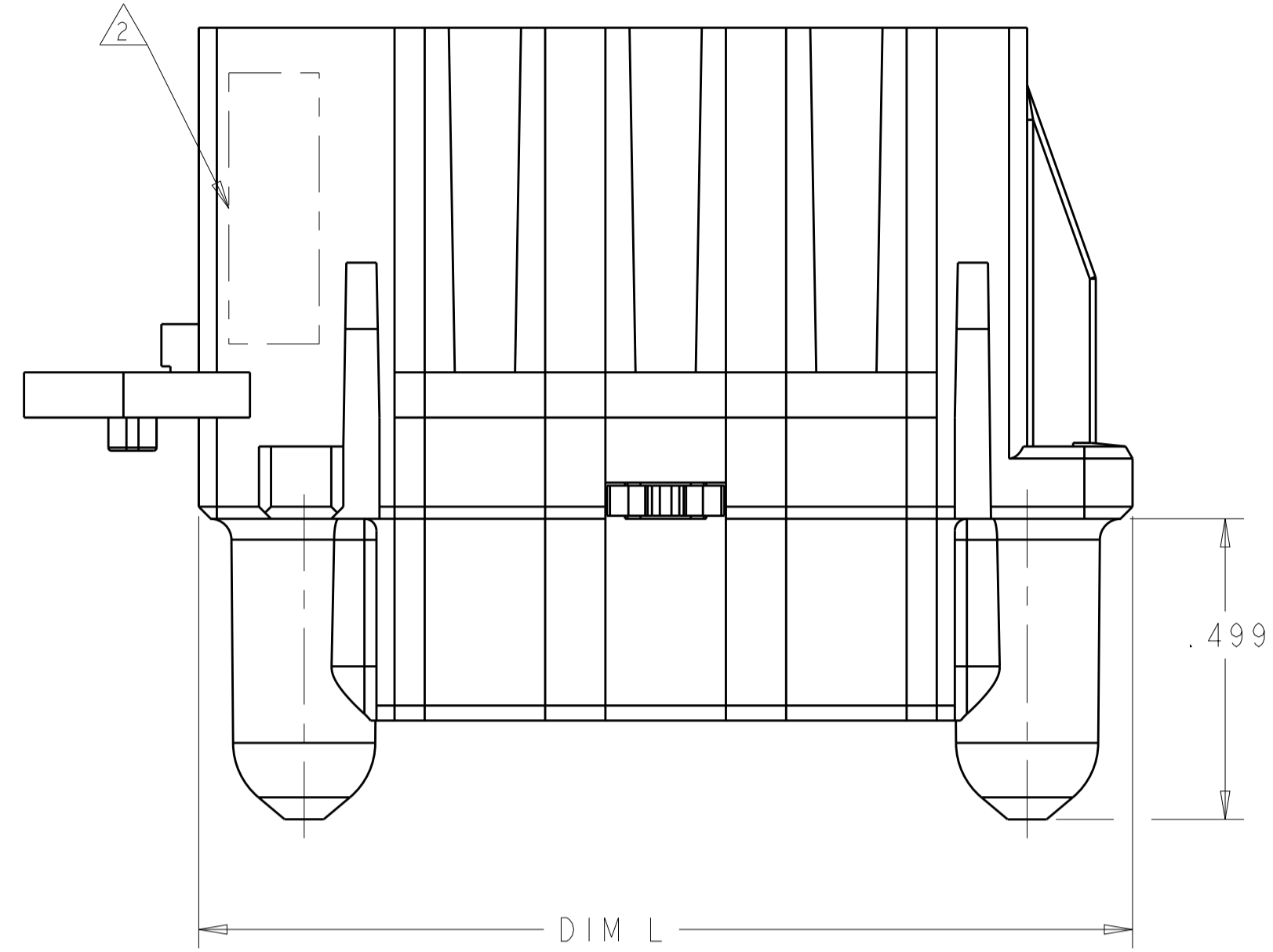


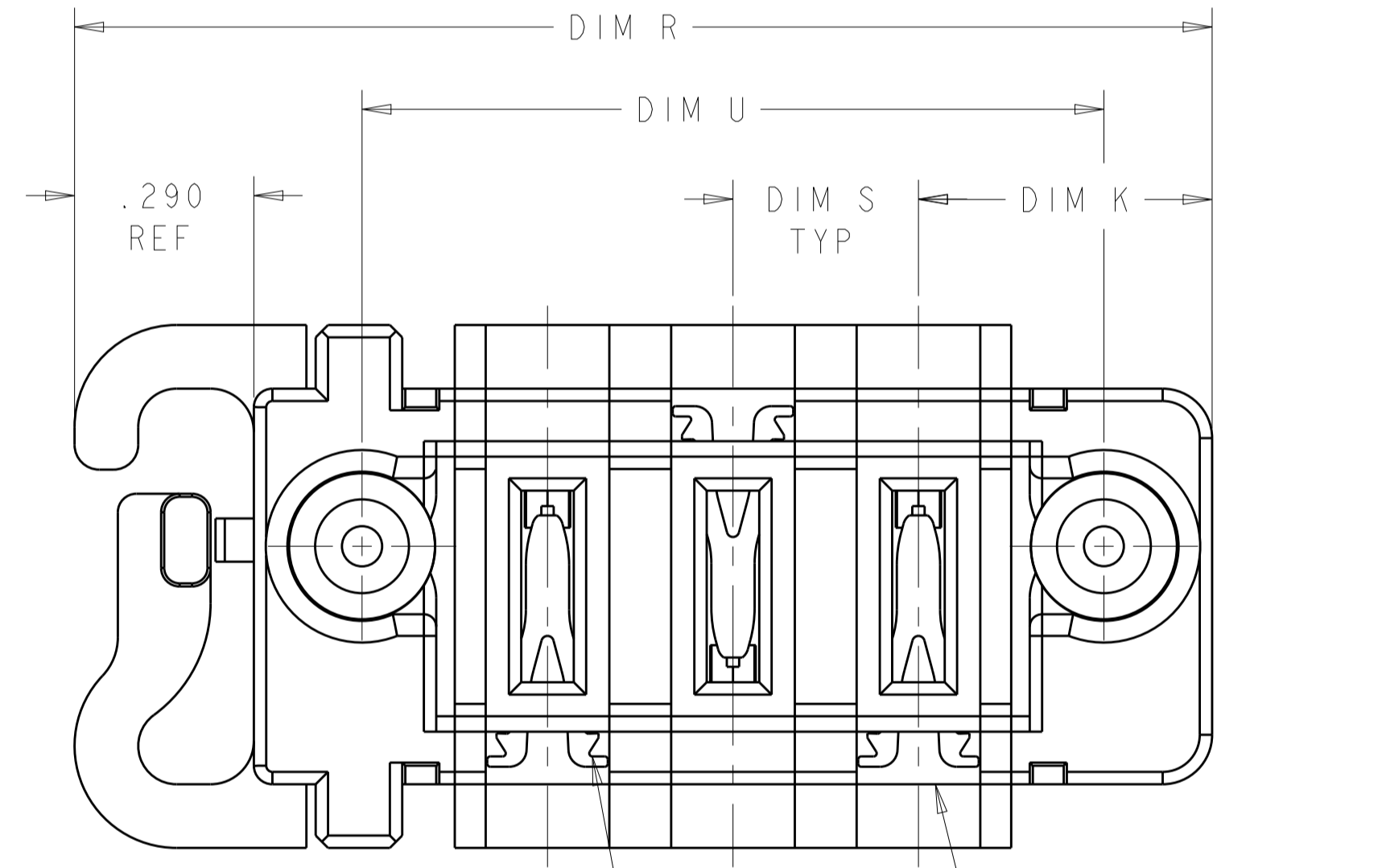
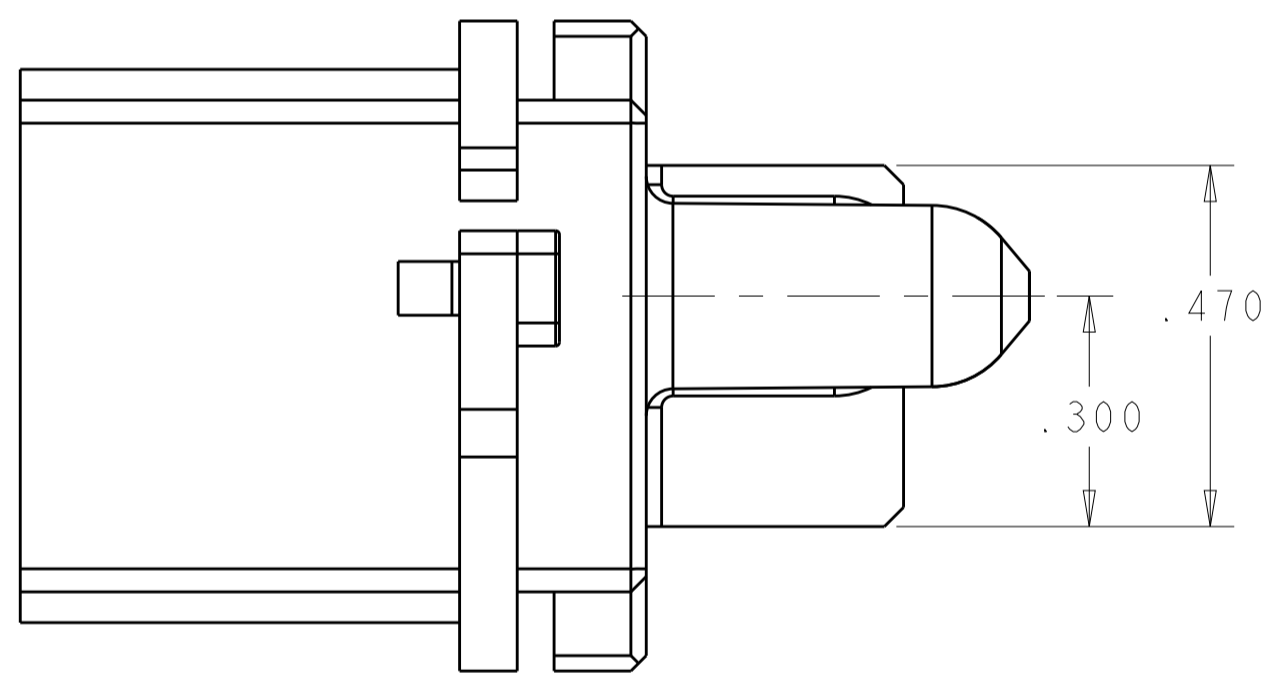
LOC	DIST	REVISIONS					
		P	LTN	DESCRIPTION	DATE	DWN	APVD
ES	00	D9		ADD NEW DASH NUMBER -19	09AUG2012	ML	SZ
		d9					



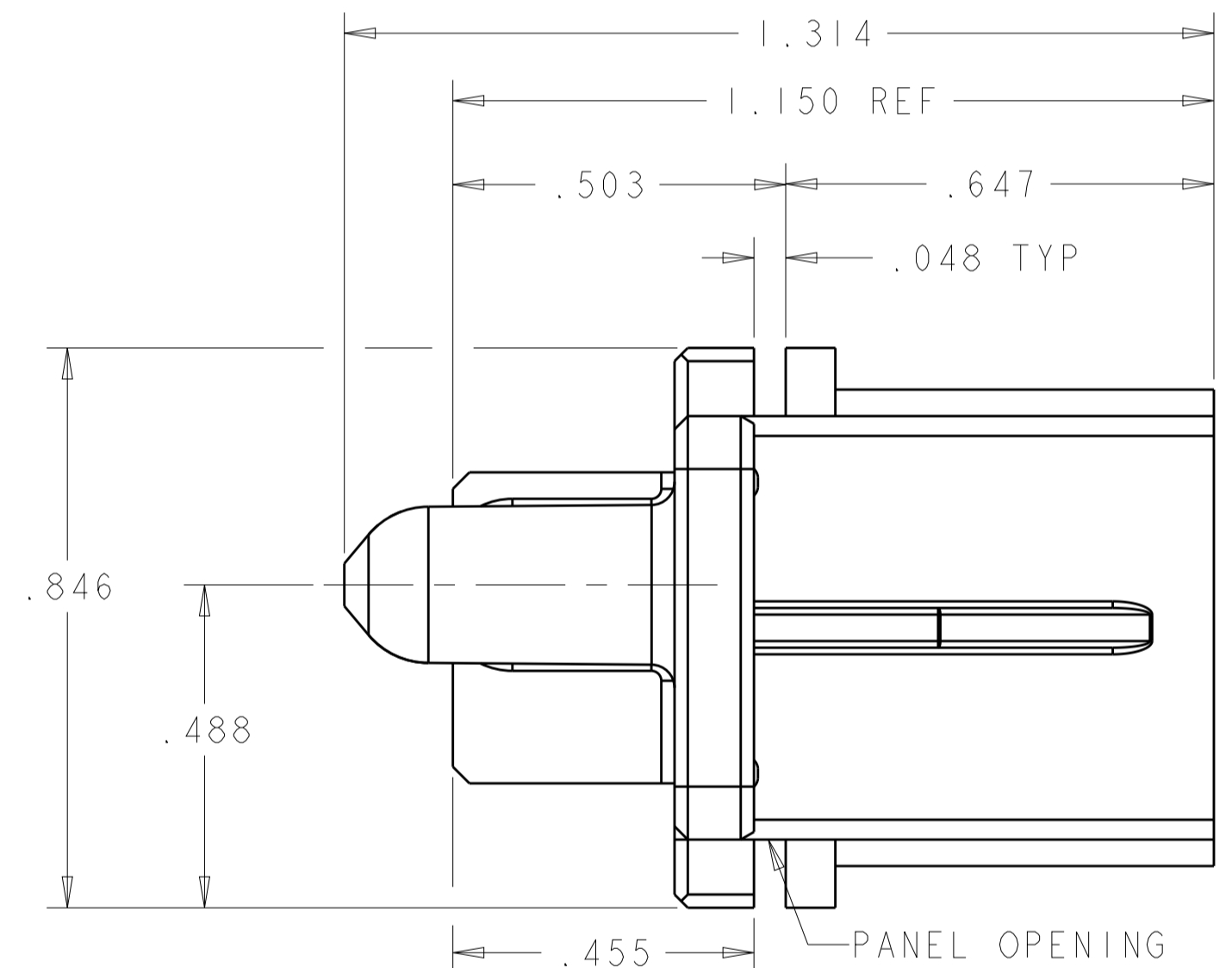
ISOMETRIC VIEW



- 1 MATERIAL: THERMO PLASTIC, UL94 V-0.
- 2 COMPANY TRADEMARK, PART NUMBER, AND DATE CODE TO BE MARKED IN AREA SHOWN.
- 3 PANEL THICKNESS = .040±.005
- 4 CONNECTOR KEEP OUT ZONE.
- 5 POWER CONTACT REFERENCE:
PART NUMBER: 1600960 & 1600961
MATERIAL: COPPER ALLOY
FINISH (INTERFACE): .0000030 Au OVER .0000050 Ni
- 6 DASH NUMBERS INDICATED ARE NOT RELEASED FOR PRODUCTION.
- 7 VARIABLE DIMENSION SHOW ON THE TABLE.



REF:
POWER SECONDARY LOCK
PART NUMBER: 1600903-1



D9	3.465	△	2.825	3.175	.525	6ACP(8AWG)	2-292499-0
	1.840	.300	1.200	1.550	.475	3ACP(8AWG)	1-292499-9
D7	2.365	.375	1.725	2.075	.475	4P(8AWG)	1-292499-8
	2.040	.375	1.400	1.750	.500	3ACP(8AWG)	1-292499-6
	2.190	.300	1.550	1.900	.500	4ACP(10AWG)	1-292499-5
	1.940	.200	1.300	1.650	.425	5HDP(12AWG)	1-292499-4
	3.465	△	2.825	3.175	.525	6ACP(10AWG)	1-292499-3
	2.340	.200	1.700	2.050	.425	7HDP(12AWG)	1-292499-2
△6	2.440	.300	1.800	2.150	.475	5ACP(8AWG)	1-292499-1
	2.440	.250	1.800	2.150	.450	6P(12AWG)	292499-8
	2.940	.250	2.300	2.650	.450	8P(12AWG)	292499-7
	1.940	.250	1.300	1.650	.450	4P(12AWG)	292499-4
	2.140	.300	1.500	1.850	.475	4ACP(12AWG)	292499-3
	2.440	.300	1.800	2.150	.475	5ACP(12AWG)	292499-2
	1.840	.300	1.200	1.550	.475	3ACP(12AWG)	292499-1
	DIM R	DIM S	DIM U	DIM L	DIM K	DESCRIPTION	PART NUMBER
	REF						

THIS DRAWING IS A CONTROLLED DOCUMENT.

DIMENSIONS: INCHES

TOLERANCES UNLESS OTHERWISE SPECIFIED:

0 PLC	±
1 PLC	±.01
2 PLC	±.005
3 PLC	±.002
4 PLC	±.002
ANGLES	±1°

MATERIAL: △

FINISH:

Customer Drawing

DWN: S. ZHAO 08AUG2006
CHK: S. ZHAO 08AUG2006
APVD: S. ZHAO

PRODUCT SPEC: 108-2157
APPLICATION SPEC: 114-13112

WEIGHT: -

Customer Drawing

NAME: SLIDE TO LOCK PANEL MOUNT CABLE RECEPTACLE HOUSING, WITH GUIDES, MULTI-BEAM XL

SIZE: A100779
CAGE CODE: -
DRAWING NO: 292499

RESTRICTED TO: -

SCALE: 1:1 SHEET 1 OF 3 REV E

LOC	DIST	REV	DATE	BY	APPV
ES	00				

REVISIONS		DATE	BY	APPV
-	SEE SHEET 1	-	-	-

PART NUMBER	ROWS	POWER		
		P3	P2	P1
292499-1	D C B A	RM	RA	RM
3ACP				

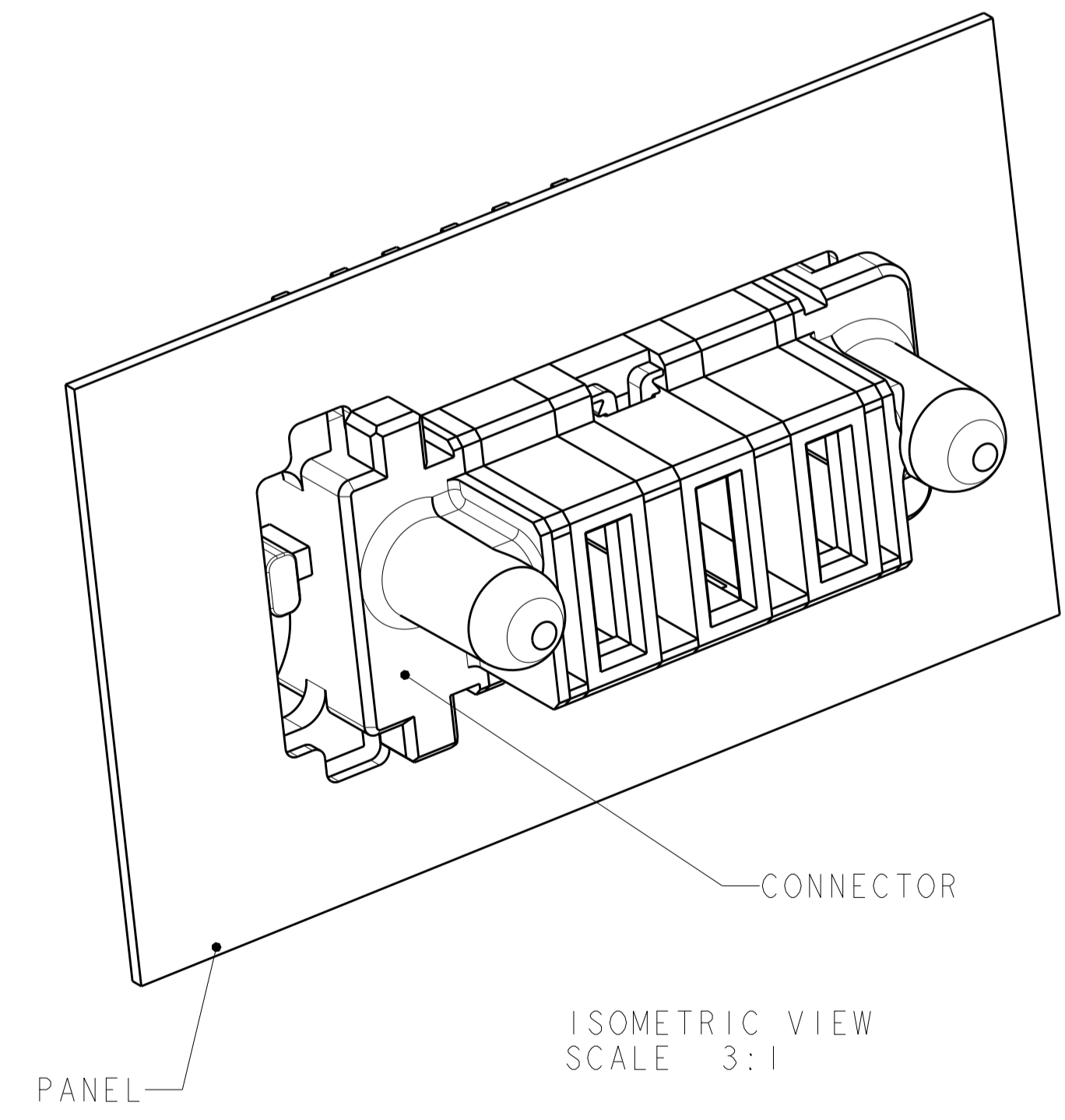
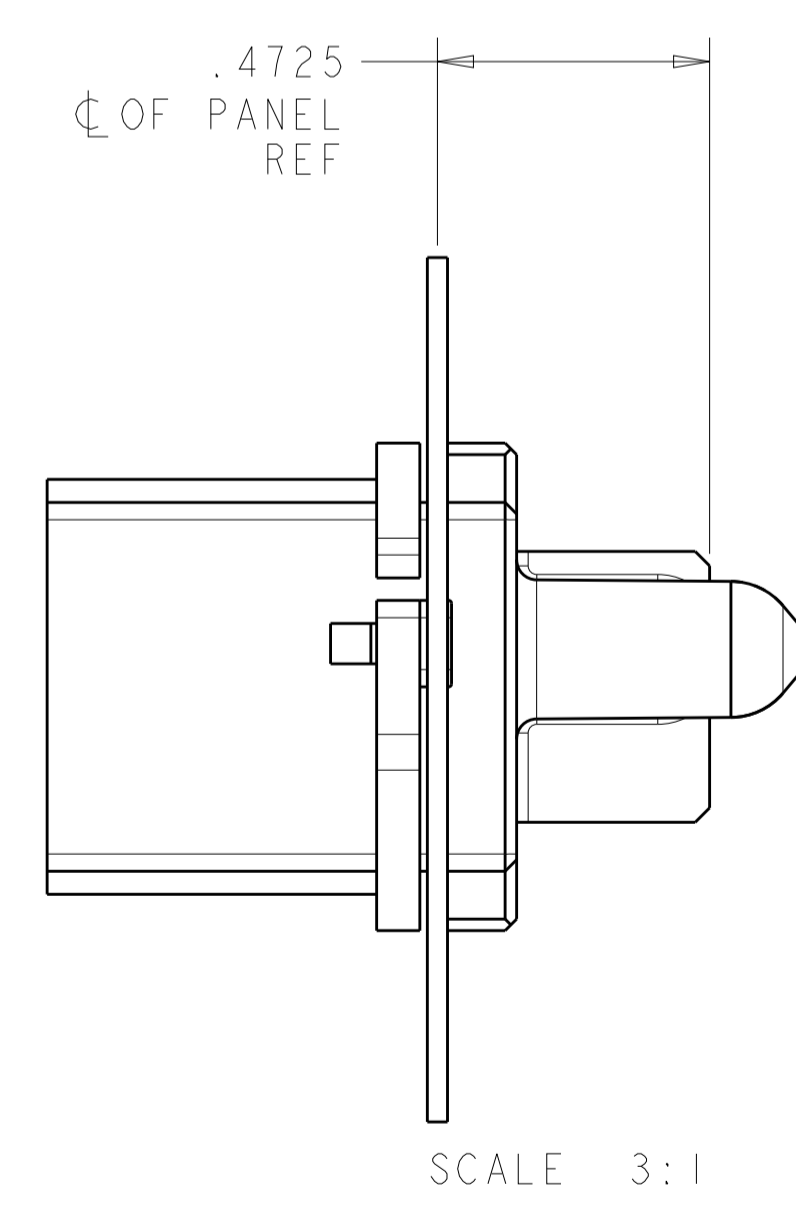
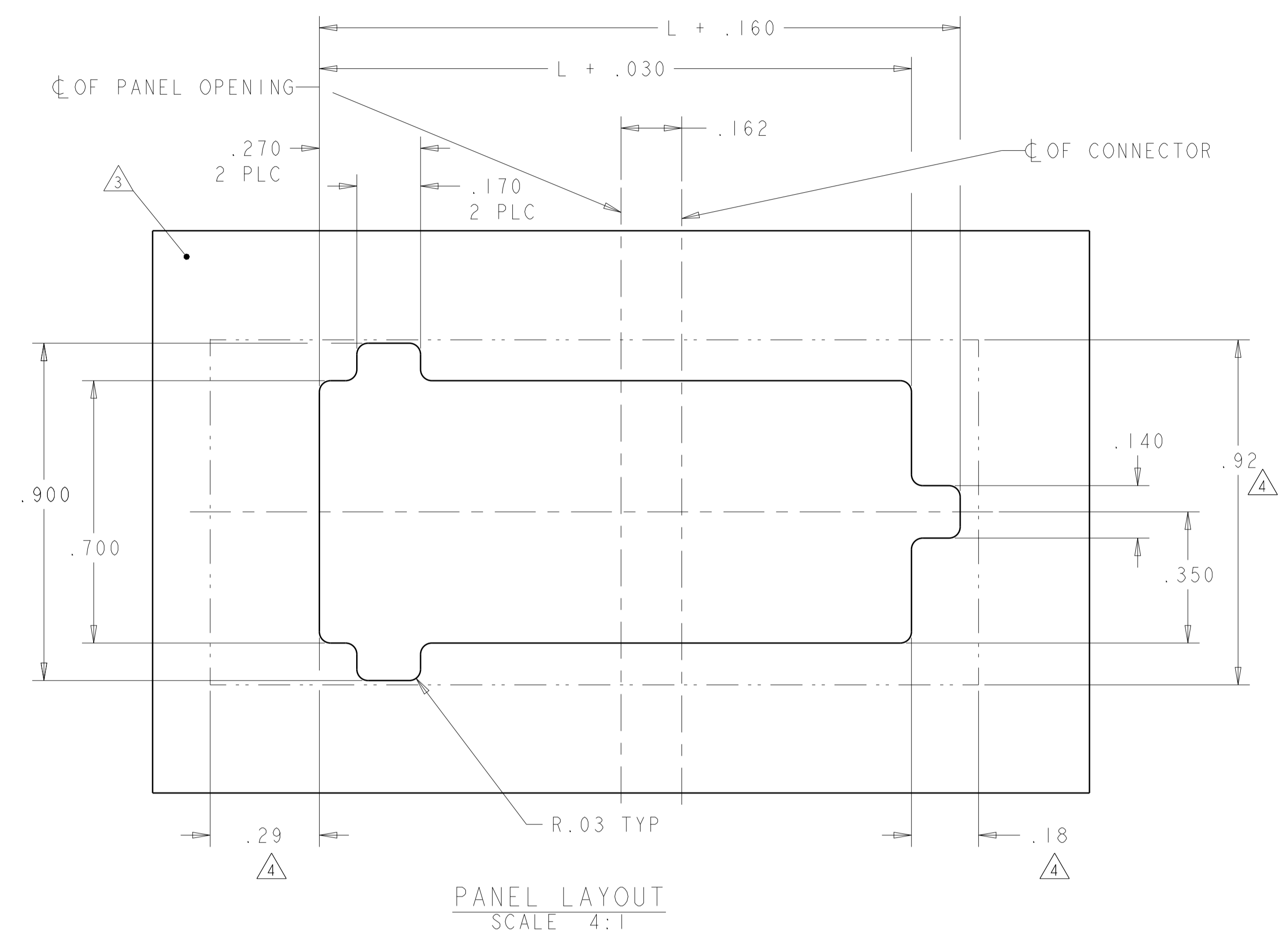
PART NUMBER	ROWS	POWER				
		P5	P4	P3	P2	P1
292499-2	D C B A	RM	RA	RM	RA	RM
5ACP						

PART NUMBER	ROWS	POWER			
		P4	P3	P2	P1
292499-3	D C B A	RM	RM	RM	RM
4ACP					

PART NUMBER	ROWS	POWER			
		P4	P3	P2	P1
292499-4	D C B A	RM	RM	RM	RM
4P					

PART NUMBER	ROWS	POWER							
		P8	P7	P6	P5	P4	P3	P2	P1
292499-7	D C B A	RM	RM	RM	RM	RM	RM	RM	RM
8P									

PART NUMBER	ROWS	POWER					
		P6	P5	P4	P3	P2	P1
292499-8	D C B A	RM	RM	RM	RM	RM	RM
6P							

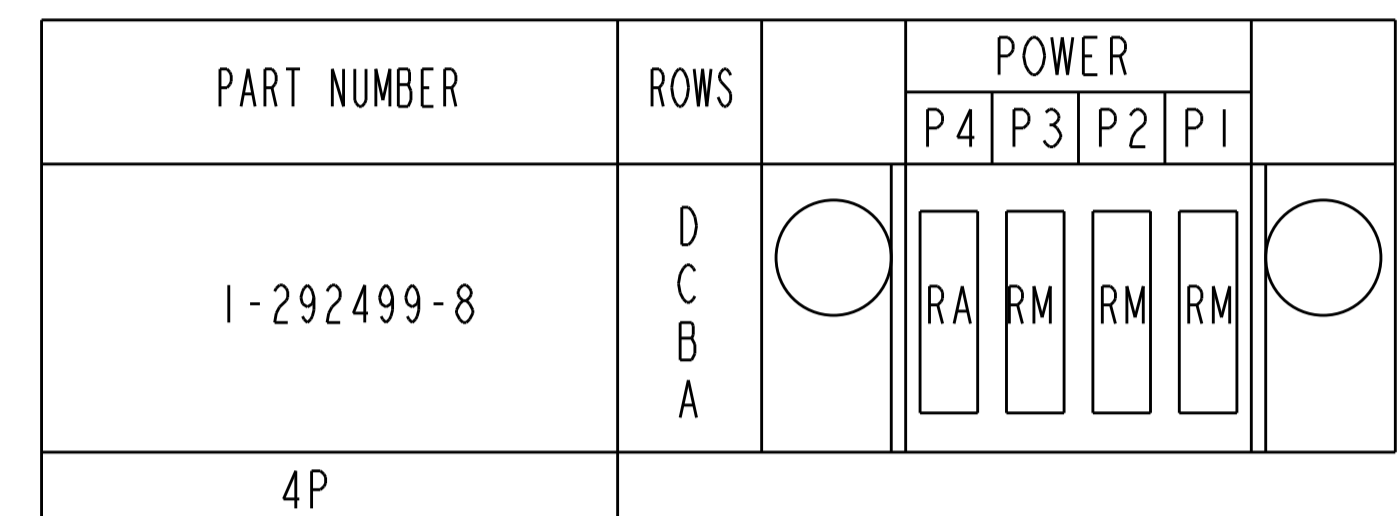
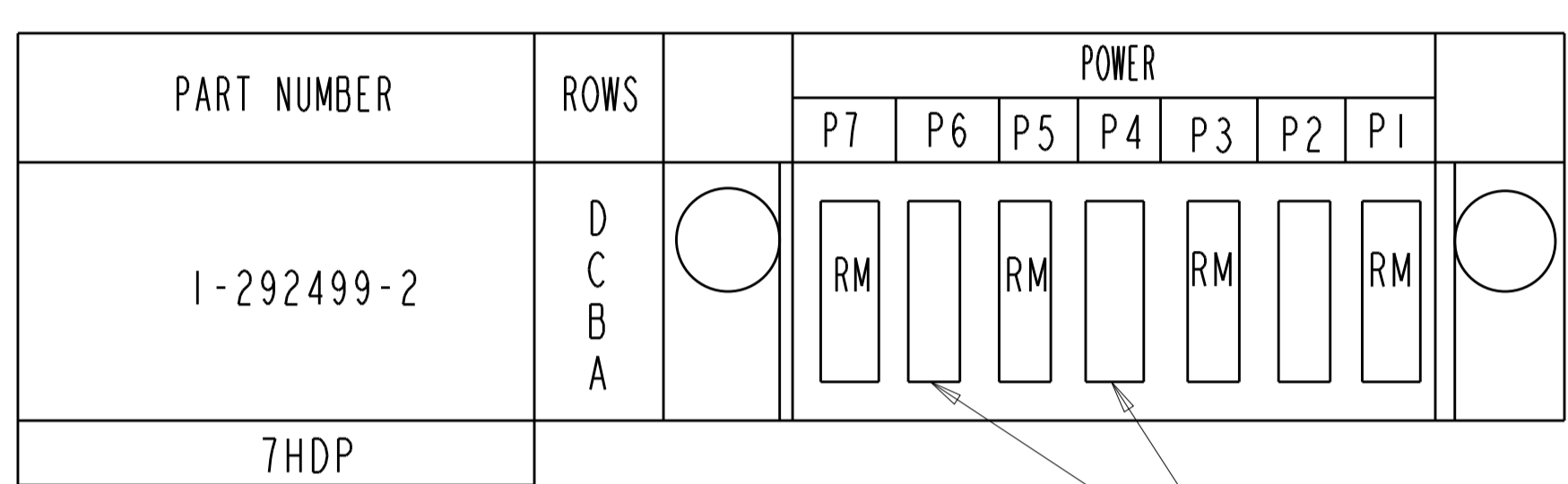
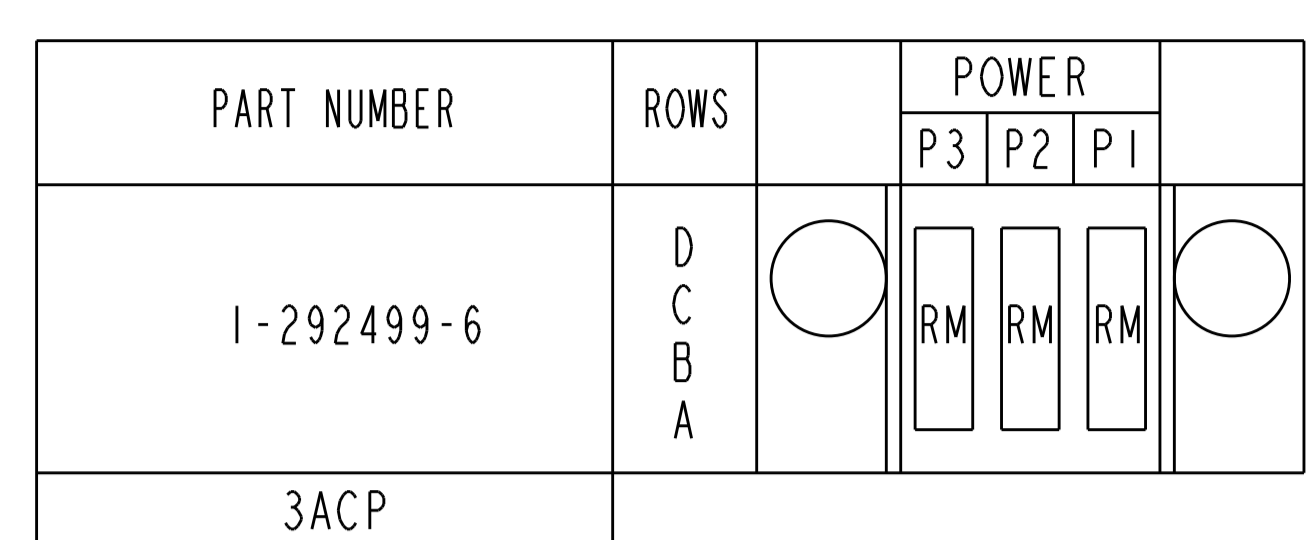
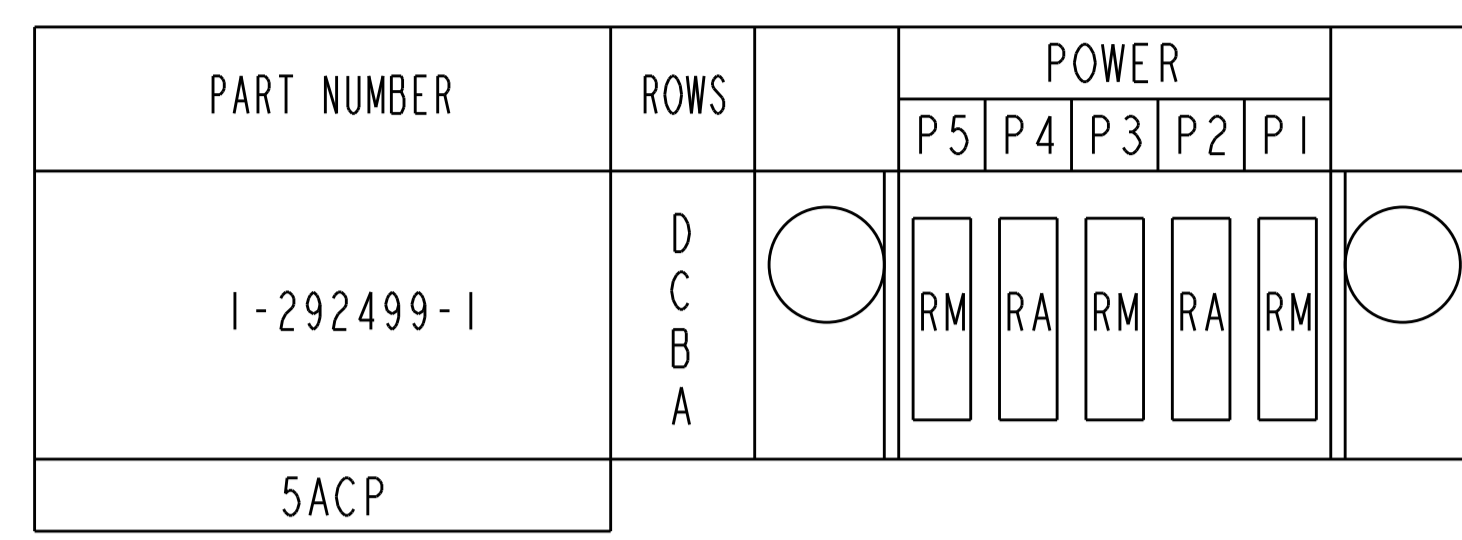


CODE	DESCRIPTION
RM	STANDARD POWER CONTACT
RA	MFBL POWER CONTACT
CONTACT TABLE	

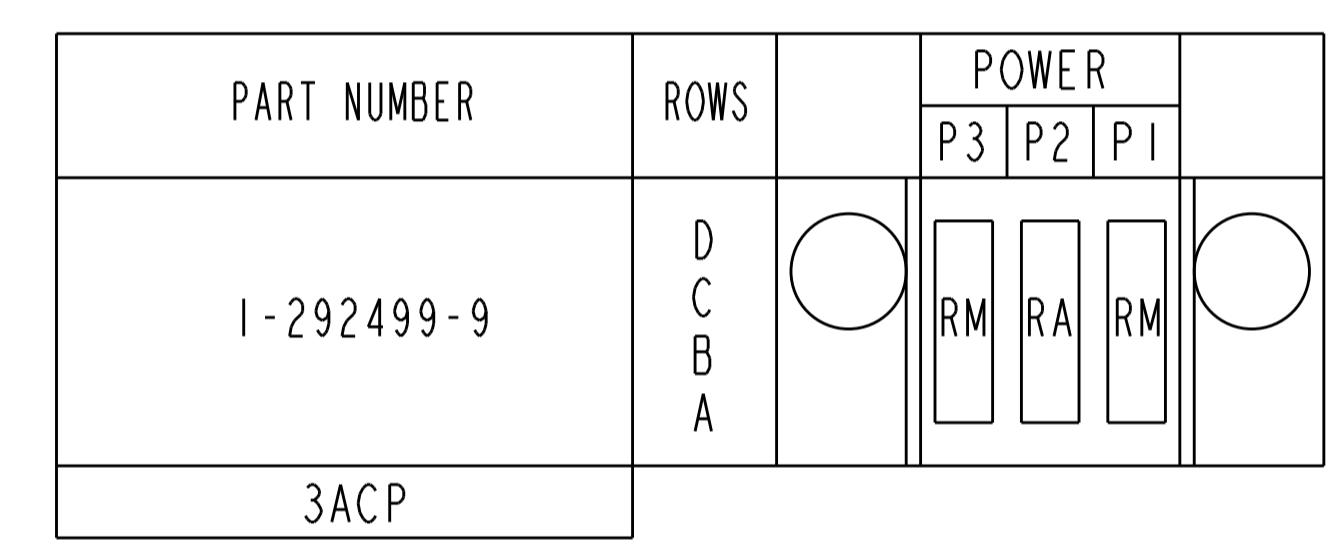
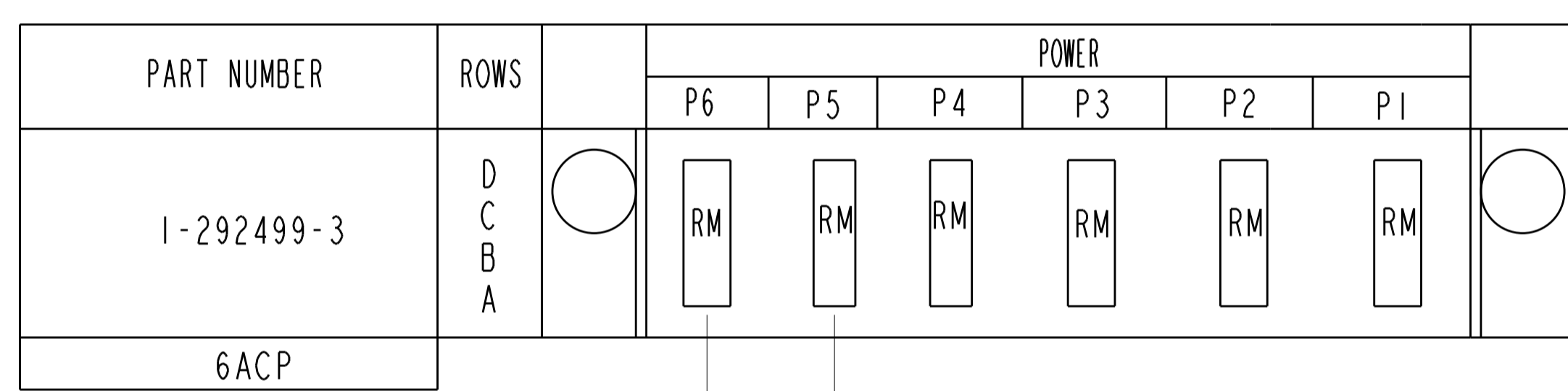
THIS DRAWING IS A CONTROLLED DOCUMENT.		DWN: S. ZHAO 08AUG2006	TE Connectivity
DIMENSIONS: INCHES		CHK: S. ZHAO 08AUG2006	
TOLERANCES UNLESS OTHERWISE SPECIFIED:		APVD: S. YAO	NAME: SLIDE TO LOCK PANEL MOUNT CABLE RECEPTACLE HOUSING, WITH GUIDES, MULTI-BEAM XL
0 PLC ± .01	1 PLC ± .01	PRODUCT SPEC	APPLICATION SPEC
2 PLC ± .005	3 PLC ± .005	APPLIC. SPEC	SIZE: A100779
4 PLC ± .002	ANGLES ± .002	WEIGHT	CAGE CODE: 292499
MATERIAL	FINISH	Customer Drawing	SCALE: 1:1 SHEET 2 OF 3 REV E

LOC	DIST	REV	DATE	BY	APPV
ES	00				

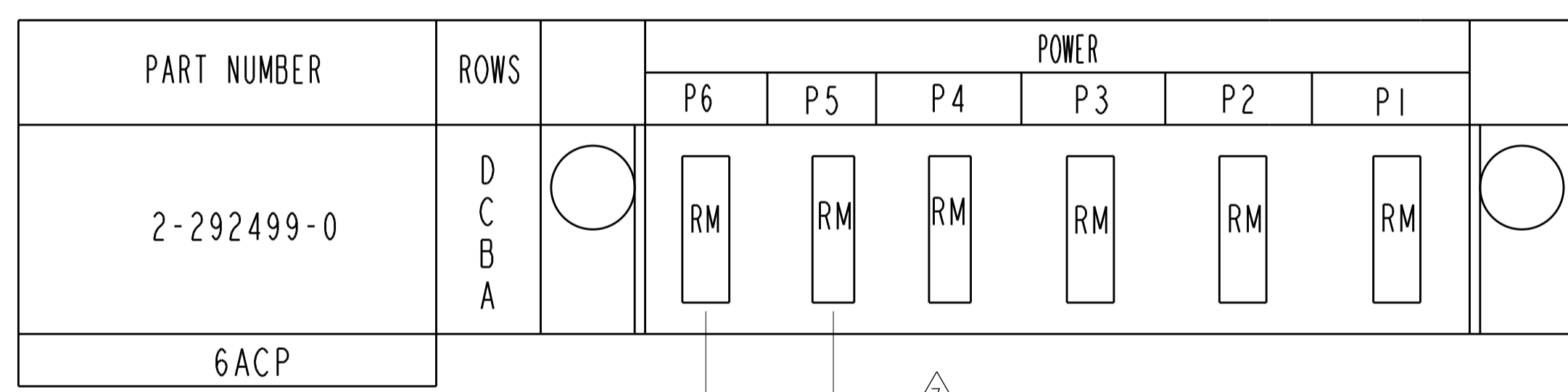
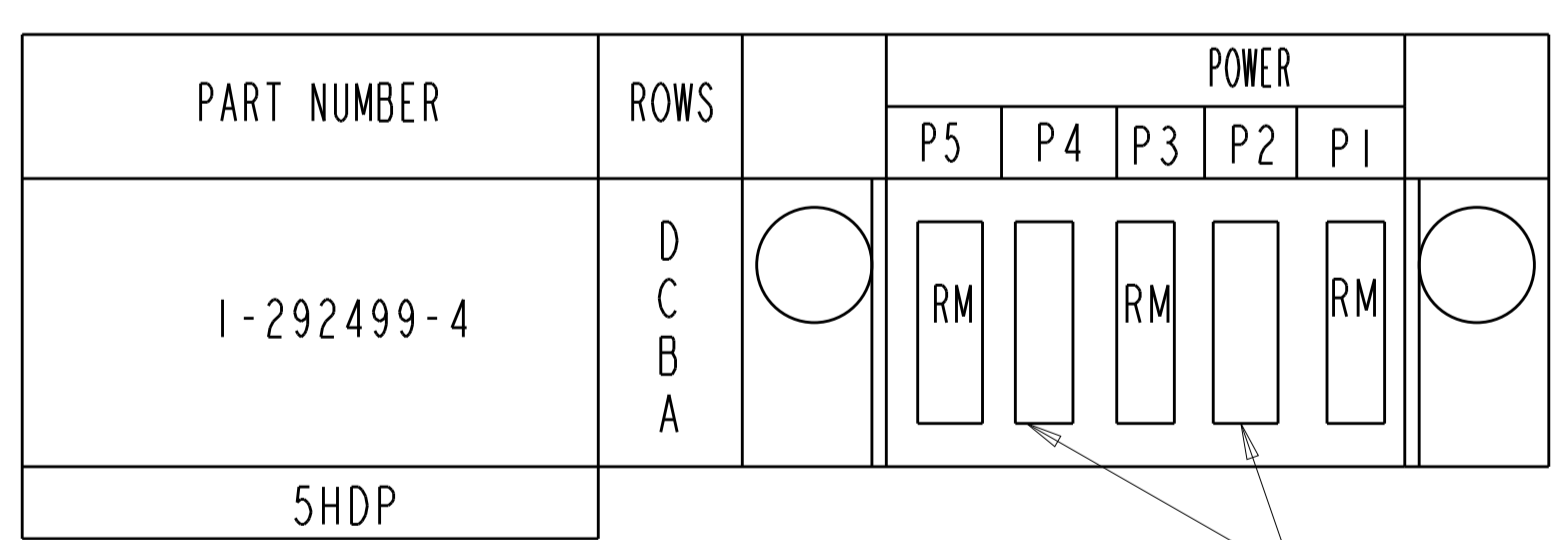
REVISIONS					
NO.	DATE	DESCRIPTION	BY	APPV	REV
-	-	SEE SHEET 1	-	-	-



NO LOADING CONTACT

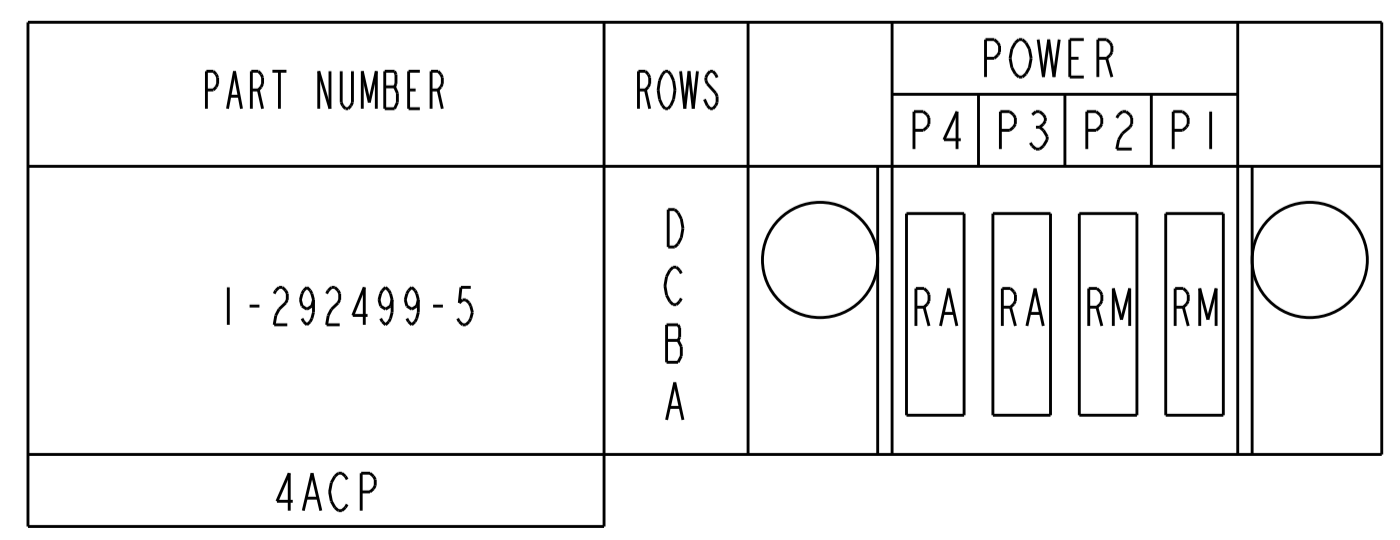


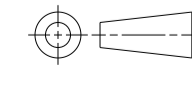
.425
5PLC



.425
5PLC

NO LOADING CONTACT



THIS DRAWING IS A CONTROLLED DOCUMENT.		DWN: S. ZHAO 08AUG2006 CHK: S. ZHAO 08AUG2006 APVD: S. YAO PRODUCT SPEC APPLICATION SPEC	STE TE Connectivity NAME: SLIDE TO LOCK PANEL MOUNT CABLE RECEPTACLE HOUSING, WITH GUIDES, MULTI-BEAM XL SIZE: CAGE CODE DRAWING NO: A100779C=292499 RESTRICTED TO:
DIMENSIONS: INCHES 	TOLERANCES UNLESS OTHERWISE SPECIFIED: 0 PLC ±. 1 PLC ±.01 2 PLC ±.01 3 PLC ±.005 4 PLC ±.002 ANGLES ±.1°	WEIGHT: - FINISH: - MATERIAL: - Customer Drawing	
SCALE: 1:1 SHEET: 3 OF 3 REV: E			

X-ON Electronics

Largest Supplier of Electrical and Electronic Components

Click to view similar products for [Power to the Board](#) category:

Click to view products by [TE Connectivity](#) manufacturer:

Other Similar products are found below :

[6450171-4](#) [6450552-7](#) [6600323-8](#) [6643429-1](#) [6646040-2](#) [6651939-1](#) [6766604-1](#) [120959-1](#) [1393557-2](#) [1393532-2](#) [1393532-3](#) [1393532-4](#)
[1393557-1](#) [1600812-5](#) [1-6450861-2](#) [1744132-7](#) [1761122-1](#) [1766250-1](#) [1892109-1](#) [2-6450860-5](#) [2-6450870-0](#) [1-6450161-4](#) [1-6450850-6](#) [1-6450869-6](#) [1645526-2](#) [1-6600130-0](#) [2005243-2](#) [377-0020-11130](#) [TE34-12-16P-F0](#) [5-6450830-6](#) [5646956-4](#) [377-0080-11131A](#) [4-6450830-9](#)
[4-6600333-3](#) [10125416-4050LF](#) [6600320-3](#) [3-6450860-5](#) [1888123-2](#) [6450166-1](#) [6643978-1](#) [6766605-1](#) [701-15-02109](#) [N11444](#) [6651938-1](#)
[6450810-7](#) [46437-1112](#) [1-1589677-8](#) [5646956-5](#) [6450813-2](#) [6450129-4](#)