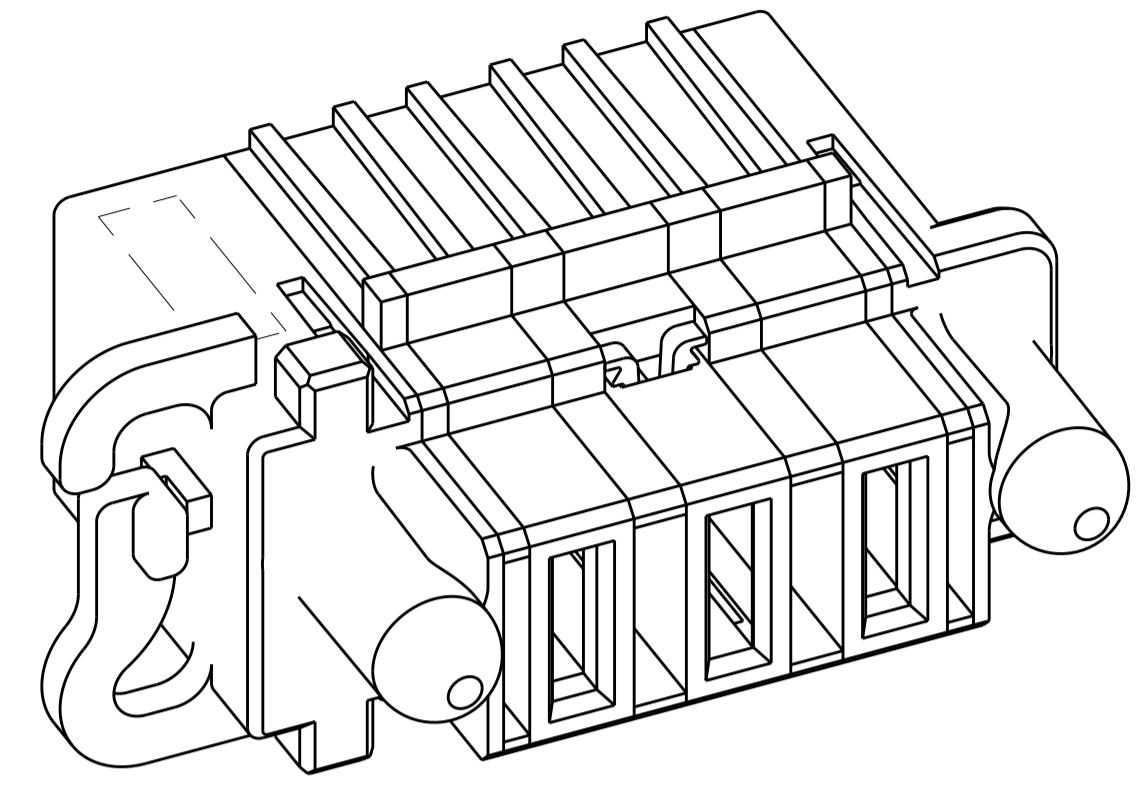
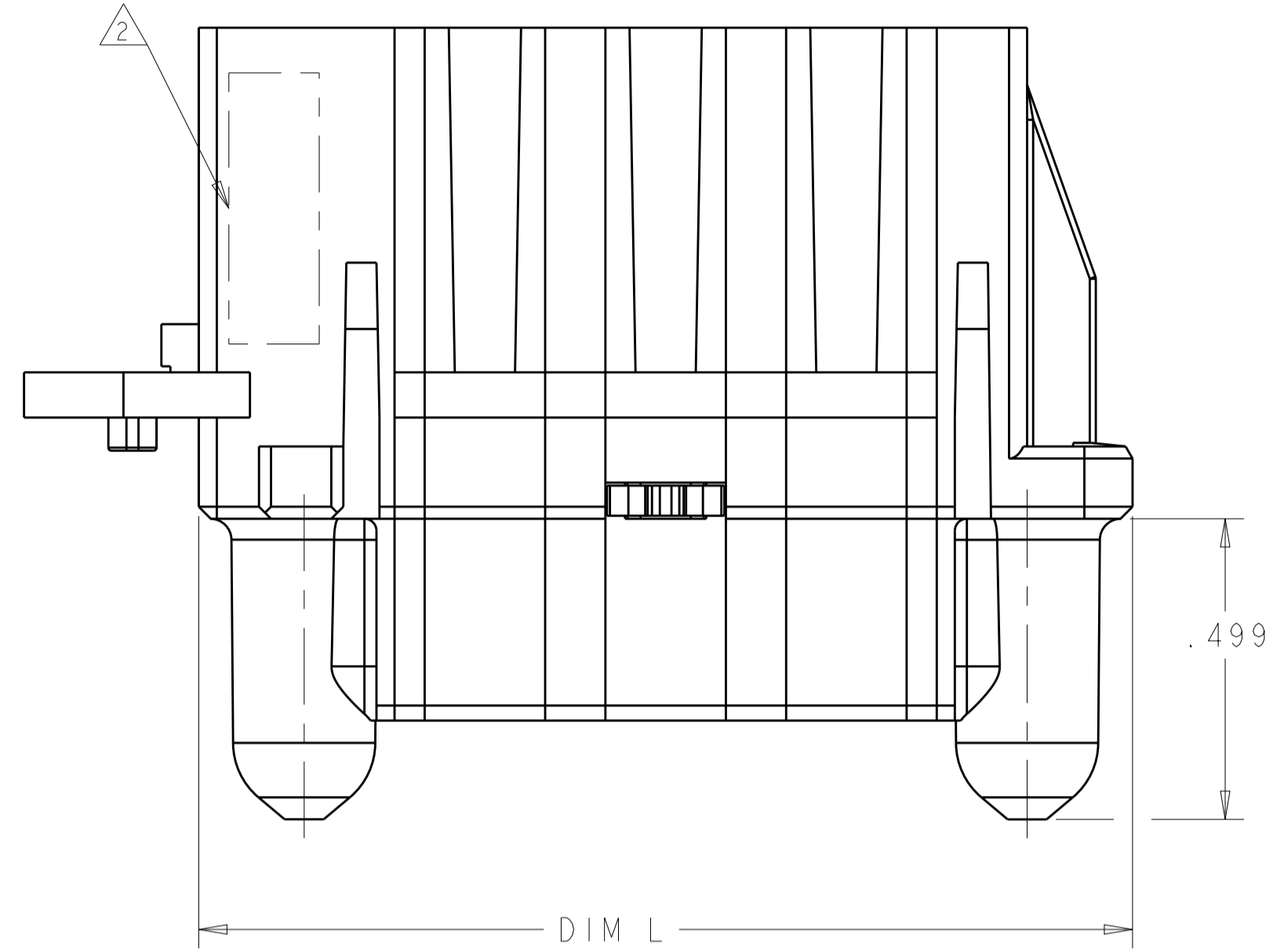


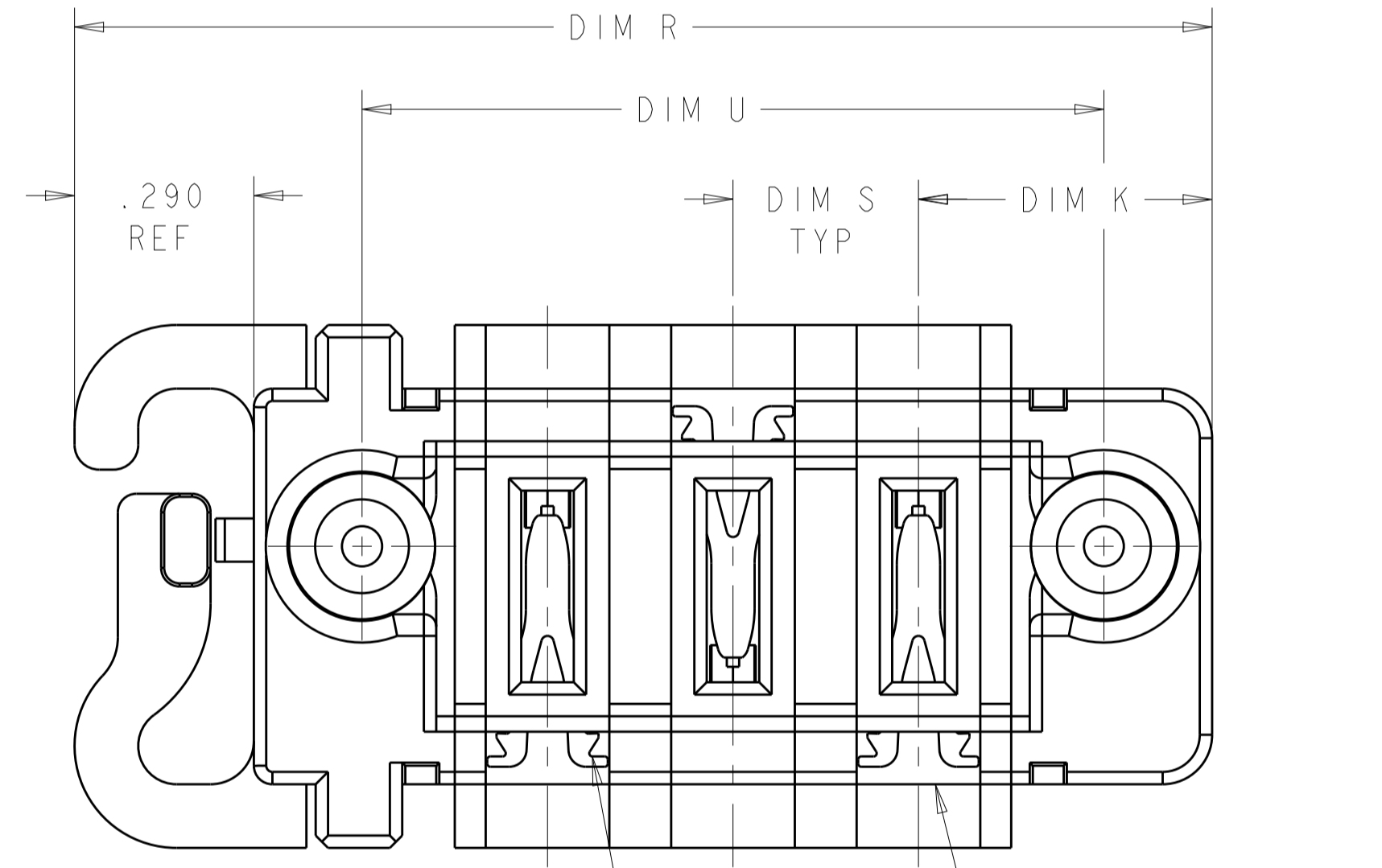
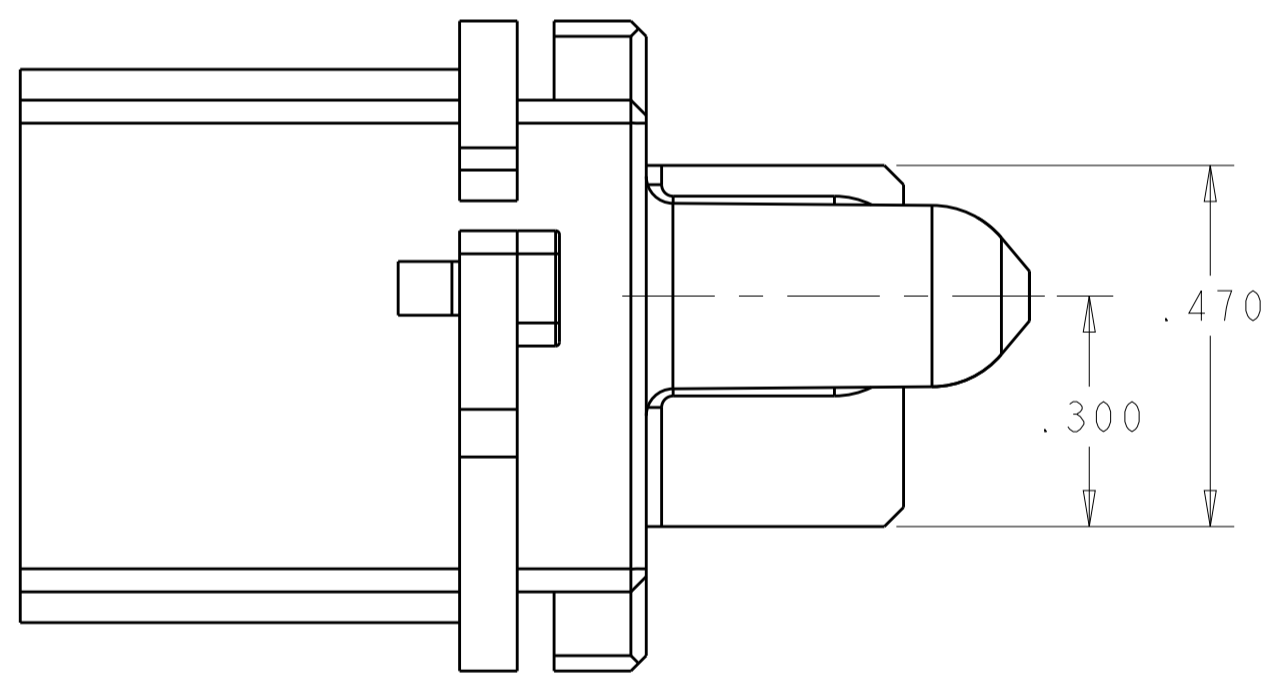
LOC	DIST	REVISIONS					
		P	LTN	DESCRIPTION	DATE	DWN	APVD
ES	00	D9		ADD NEW DASH NUMBER -19	09AUG2012	ML	SZ
		d9					



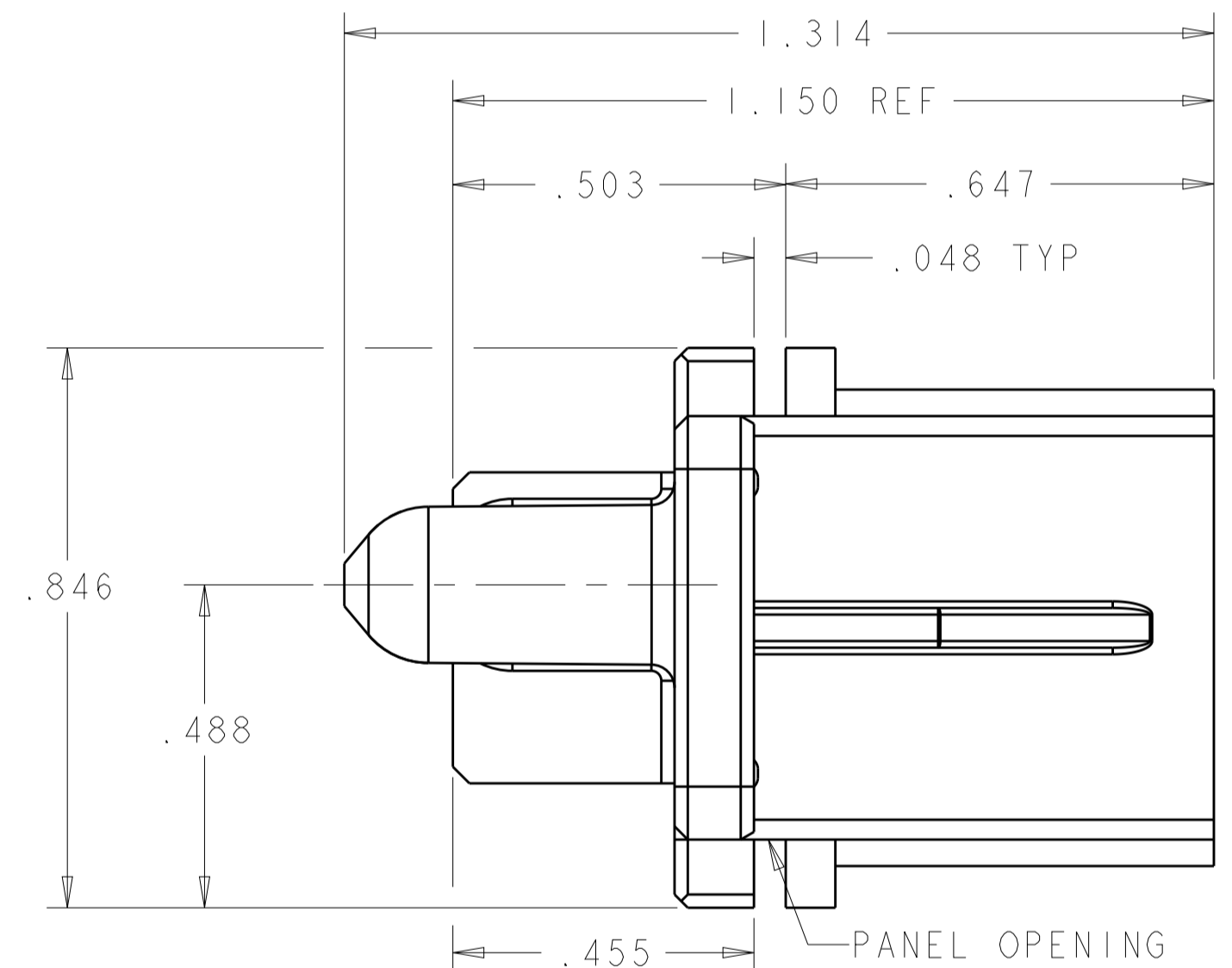
ISOMETRIC VIEW



- 1 MATERIAL: THERMO PLASTIC, UL94 V-0.
- 2 COMPANY TRADEMARK, PART NUMBER, AND DATE CODE TO BE MARKED IN AREA SHOWN.
- 3 PANEL THICKNESS = .040±.005
- 4 CONNECTOR KEEP OUT ZONE.
- 5 POWER CONTACT REFERENCE:
PART NUMBER: 1600960 & 1600961
MATERIAL: COPPER ALLOY
FINISH (INTERFACE): .0000030 Au OVER .0000050 Ni
- 6 DASH NUMBERS INDICATED ARE NOT RELEASED FOR PRODUCTION.
- 7 VARIABLE DIMENSION SHOW ON THE TABLE.



REF:
POWER SECONDARY LOCK
PART NUMBER: 1600903-1



D9	3.465	△	2.825	3.175	.525	6ACP(8AWG)	2-292499-0
	1.840	.300	1.200	1.550	.475	3ACP(8AWG)	1-292499-9
D7	2.365	.375	1.725	2.075	.475	4P(8AWG)	1-292499-8
	2.040	.375	1.400	1.750	.500	3ACP(8AWG)	1-292499-6
	2.190	.300	1.550	1.900	.500	4ACP(10AWG)	1-292499-5
	1.940	.200	1.300	1.650	.425	5HDP(12AWG)	1-292499-4
	3.465	△	2.825	3.175	.525	6ACP(10AWG)	1-292499-3
	2.340	.200	1.700	2.050	.425	7HDP(12AWG)	1-292499-2
△6	2.440	.300	1.800	2.150	.475	5ACP(8AWG)	1-292499-1
	2.440	.250	1.800	2.150	.450	6P(12AWG)	292499-8
	2.940	.250	2.300	2.650	.450	8P(12AWG)	292499-7
	1.940	.250	1.300	1.650	.450	4P(12AWG)	292499-4
	2.140	.300	1.500	1.850	.475	4ACP(12AWG)	292499-3
	2.440	.300	1.800	2.150	.475	5ACP(12AWG)	292499-2
	1.840	.300	1.200	1.550	.475	3ACP(12AWG)	292499-1
	DIM R	DIM S	DIM U	DIM L	DIM K	DESCRIPTION	PART NUMBER
	REF						

THIS DRAWING IS A CONTROLLED DOCUMENT.

DIMENSIONS: INCHES

TOLERANCES UNLESS OTHERWISE SPECIFIED:

0 PLC	±
1 PLC	±.01
2 PLC	±.01
3 PLC	±.005
4 PLC	±.005
ANGLES	±.002
FINISH	±*

MATERIAL: △

Customer Drawing

DWN: S. ZHAO 08AUG2006
CHK: S. ZHAO 08AUG2006
APVD: S. ZHAO

NAME: SLIDE TO LOCK PANEL MOUNT CABLE RECEPTACLE HOUSING, WITH GUIDES, MULTI-BEAM XL

PRODUCT SPEC: 108-2157
APPLICATION SPEC: 114-13112

SIZE: A100779
CAGE CODE: 292499
DRAWING NO: 108-2157

RESTRICTED TO: 1 OF 3 SHEETS

SCALE: 1:1

REV: E

LOC	DIST	REV	DATE	BY	APPV
ES	00				

REVISIONS		
NO.	DESCRIPTION	DATE
1	SEE SHEET 1	

PART NUMBER	ROWS	POWER		
		P3	P2	P1
292499-1	D C B A	RM	RA	RM
3ACP				

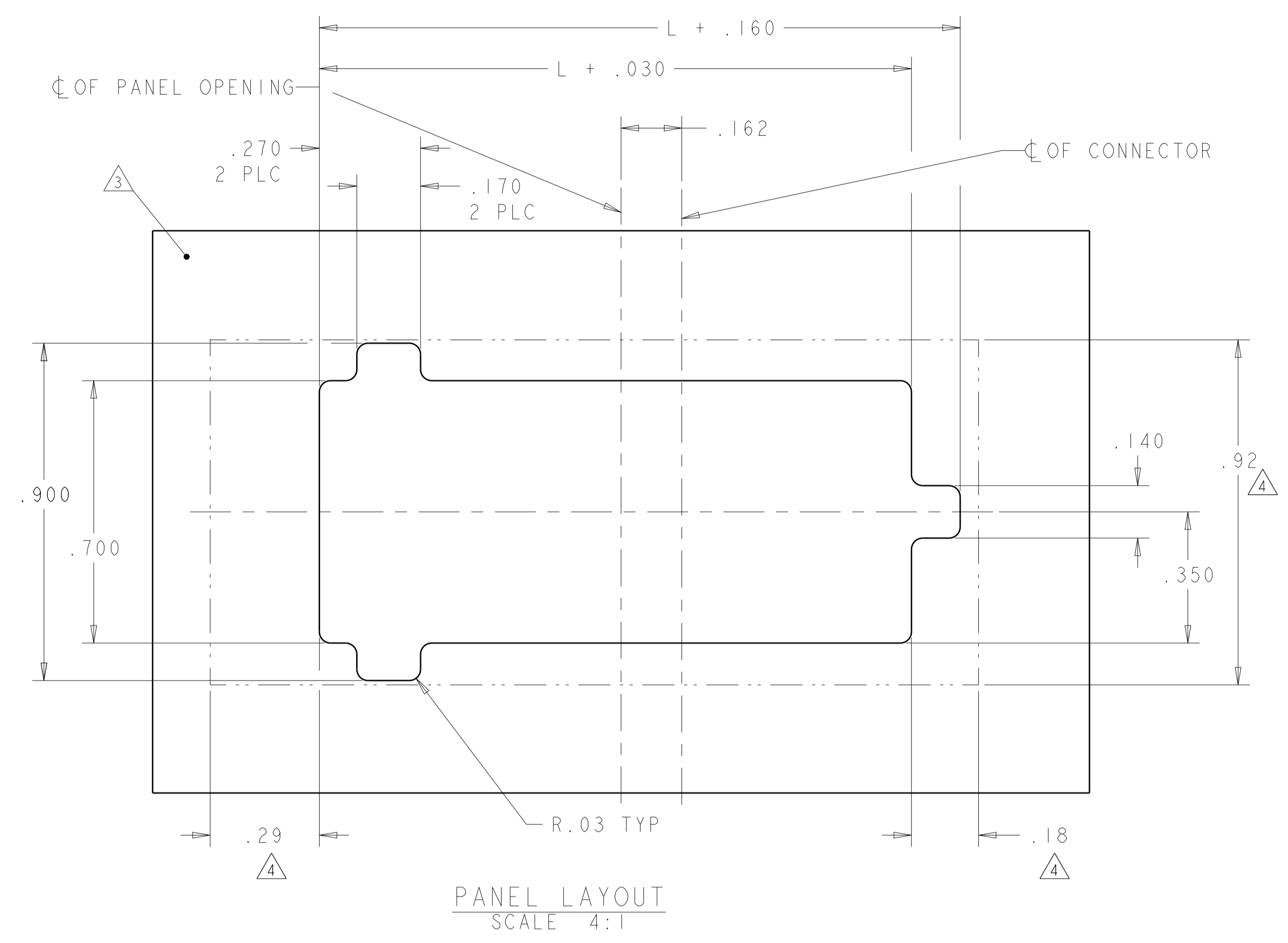
PART NUMBER	ROWS	POWER				
		P5	P4	P3	P2	P1
292499-2	D C B A	RM	RA	RM	RA	RM
5ACP						

PART NUMBER	ROWS	POWER			
		P4	P3	P2	P1
292499-3	D C B A	RM	RM	RM	RM
4ACP					

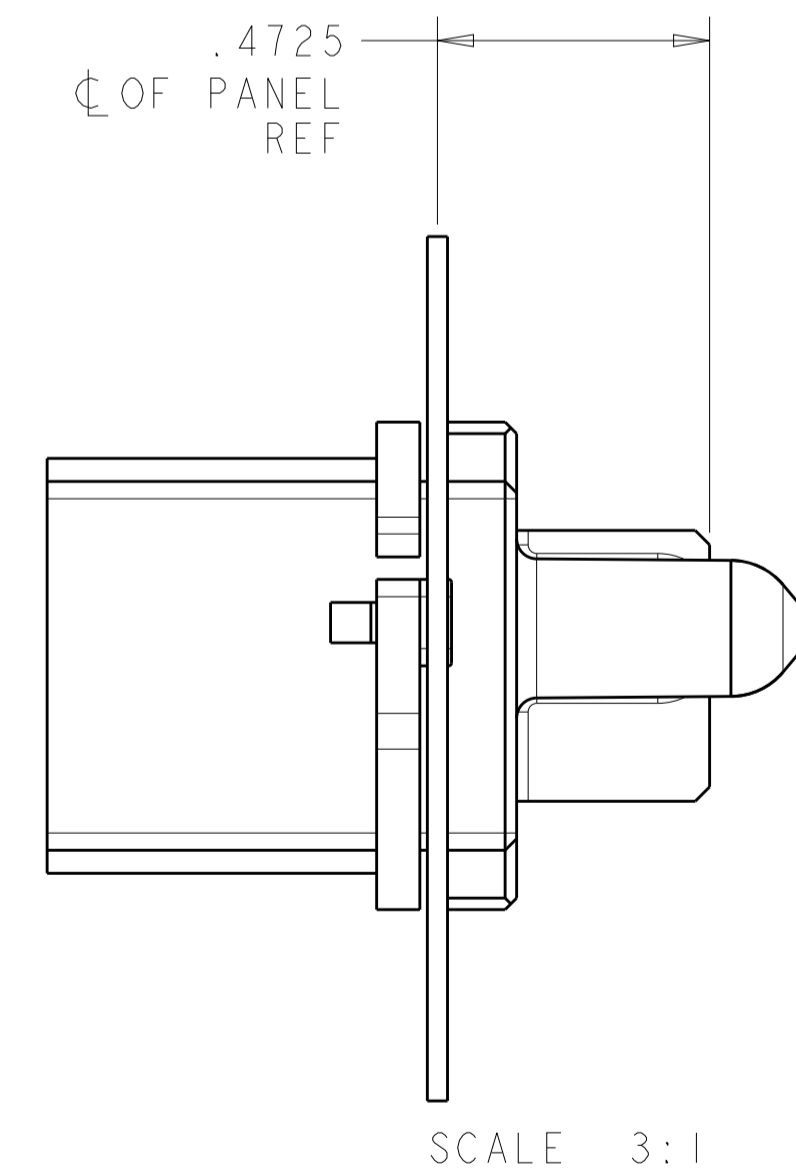
PART NUMBER	ROWS	POWER			
		P4	P3	P2	P1
292499-4	D C B A	RM	RM	RM	RM
4P					

PART NUMBER	ROWS	POWER							
		P8	P7	P6	P5	P4	P3	P2	P1
292499-7	D C B A	RM	RM	RM	RM	RM	RM	RM	RM
8P									

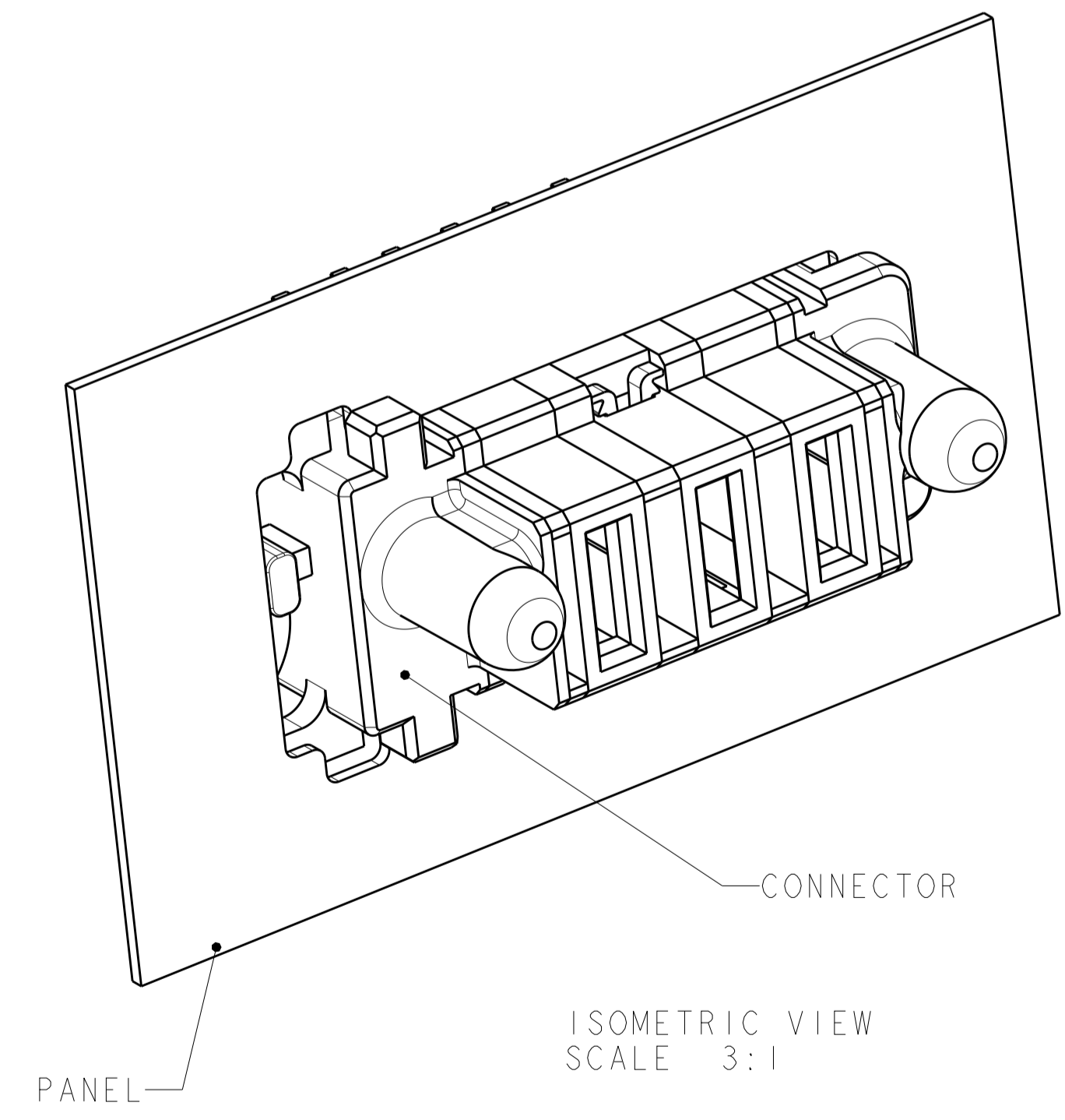
PART NUMBER	ROWS	POWER					
		P6	P5	P4	P3	P2	P1
292499-8	D C B A	RM	RM	RM	RM	RM	RM
6P							



PANEL LAYOUT
SCALE 4:1



SCALE 3:1



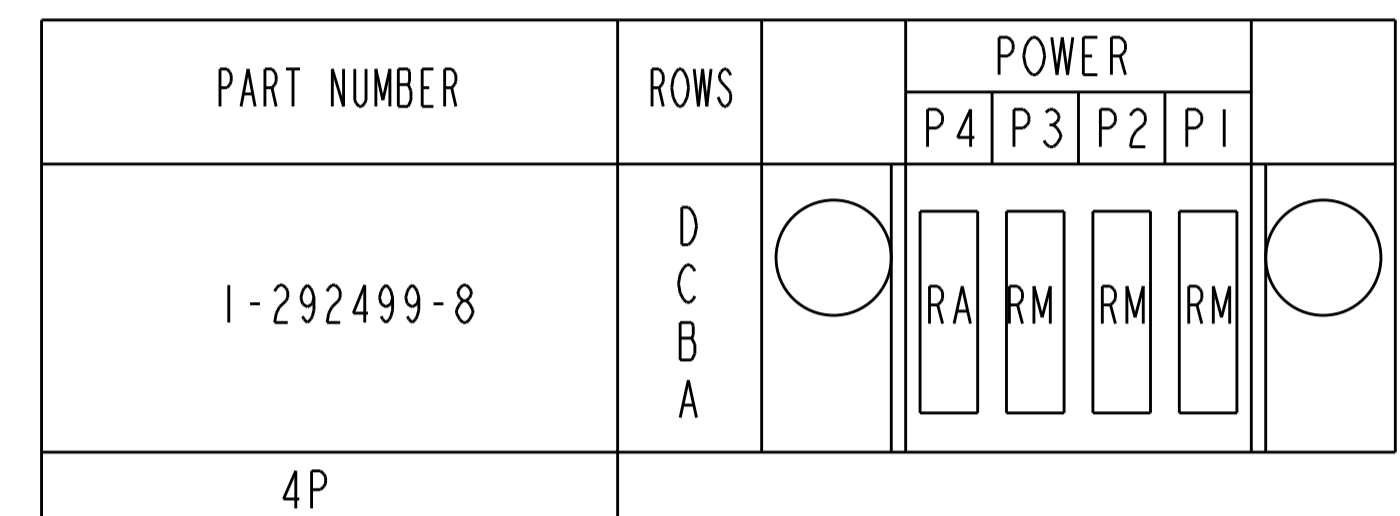
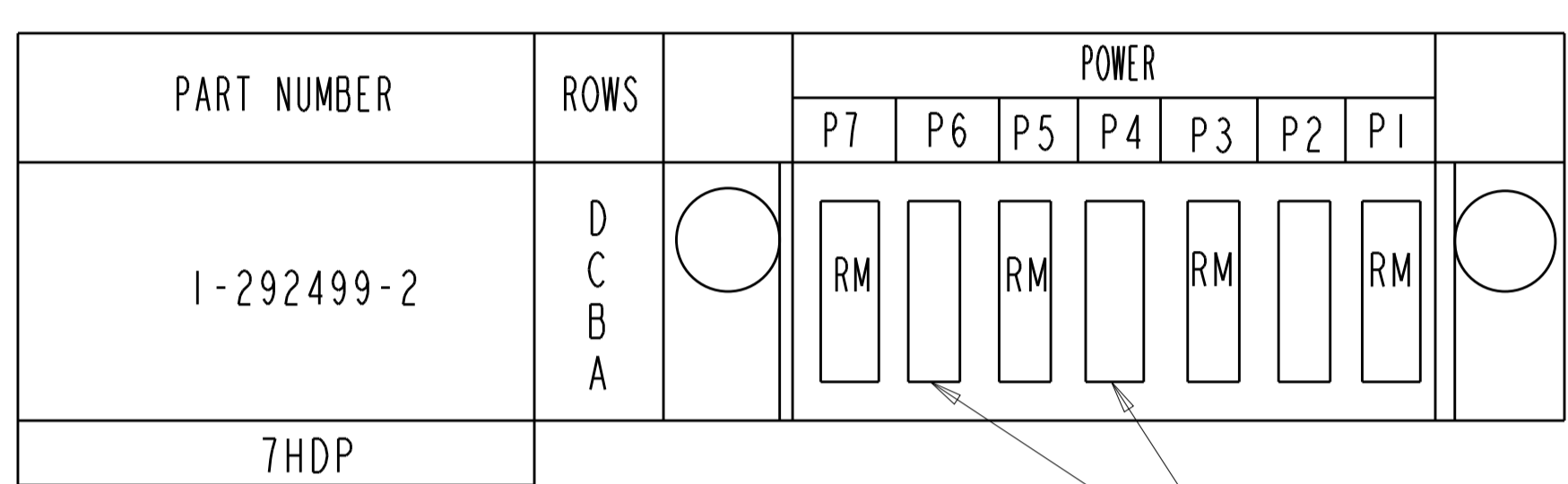
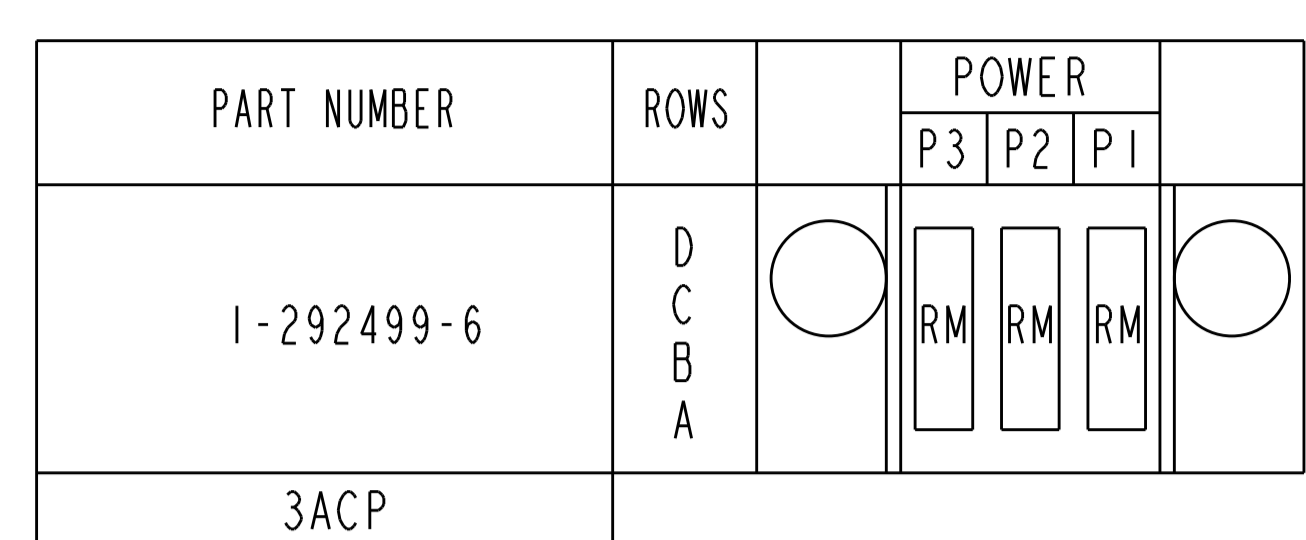
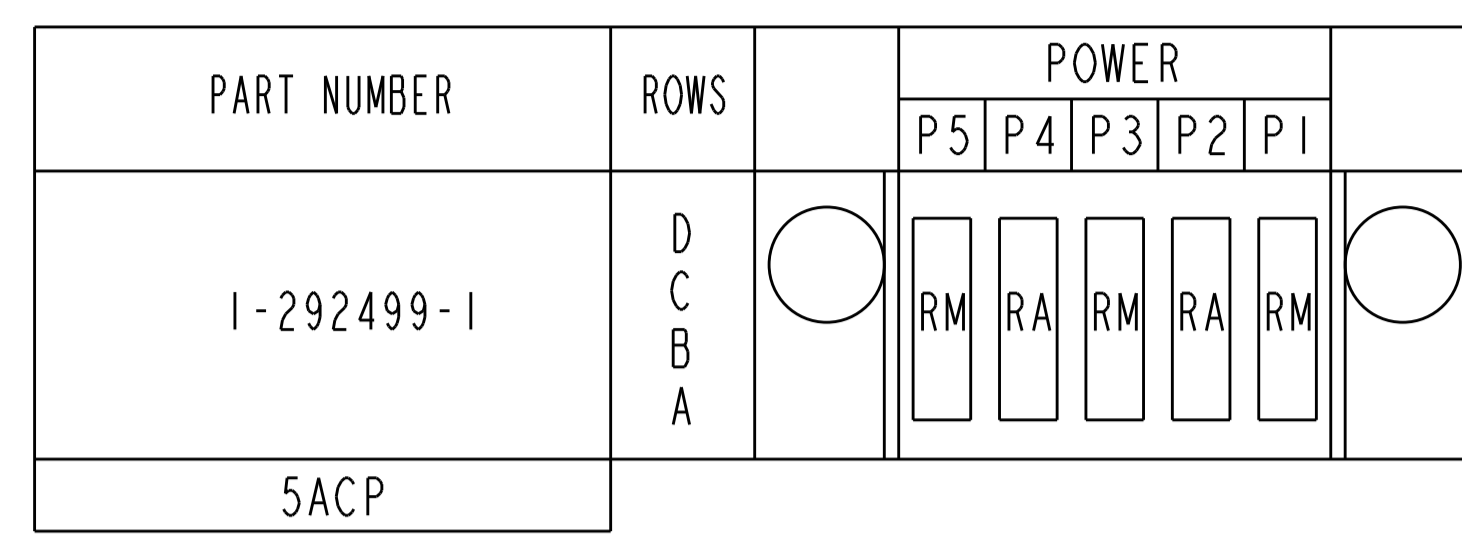
ISOMETRIC VIEW
SCALE 3:1

CODE	DESCRIPTION
RM	STANDARD POWER CONTACT
RA	MFBL POWER CONTACT

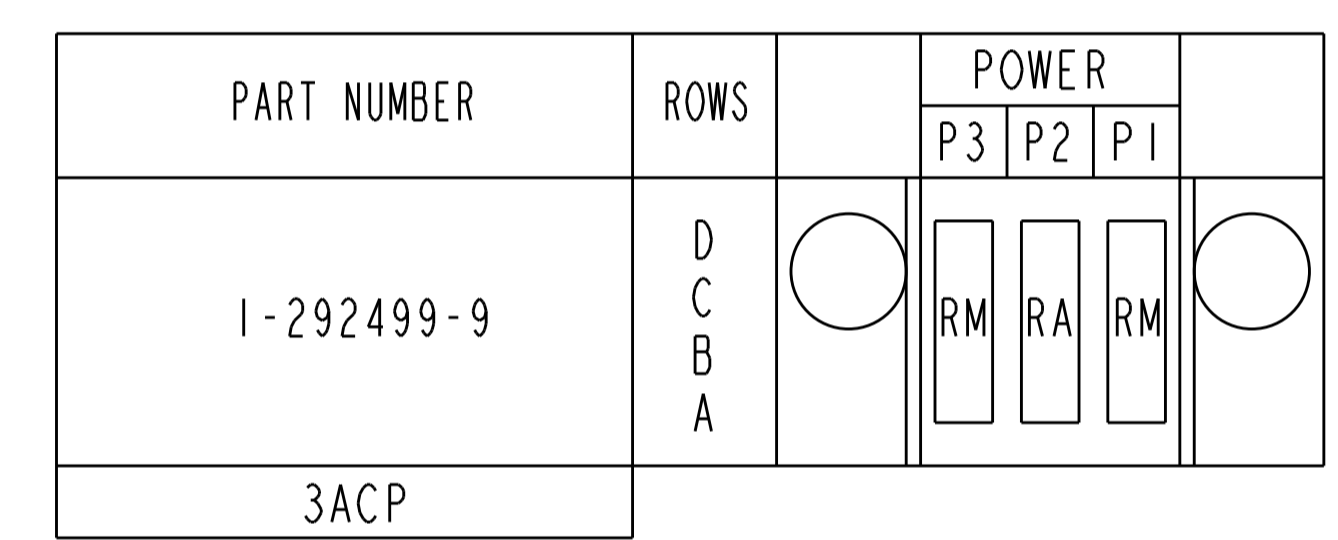
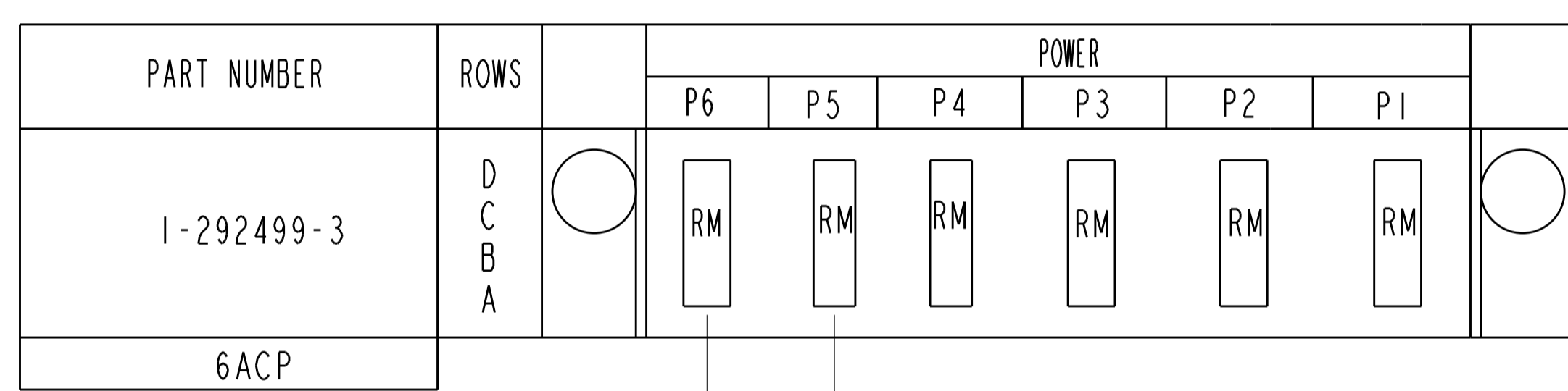
CONTACT TABLE

THIS DRAWING IS A CONTROLLED DOCUMENT.		DWN S. ZHAO 08AUG2006	 TE Connectivity
DIMENSIONS: INCHES		CHK S. ZHAO 08AUG2006	
TOLERANCES UNLESS OTHERWISE SPECIFIED:		APVD S. YAO	NAME
0 PLC ± .01	1 PLC ± .01	PRODUCT SPEC	SLIDE TO LOCK PANEL MOUNT CABLE RECEPTACLE HOUSING, WITH GUIDES, MULTI-BEAM XL
2 PLC ± .005	3 PLC ± .005	APPLICATION SPEC	SIZE CAGE CODE DRAWING NO RESTRICTED TO
4 PLC ± .002	ANGLES ± .002	WEIGHT	A100779C=292499
MATERIAL	FINISH	Customer Drawing	SCALE 1:1 SHEET 2 OF 3 REV E

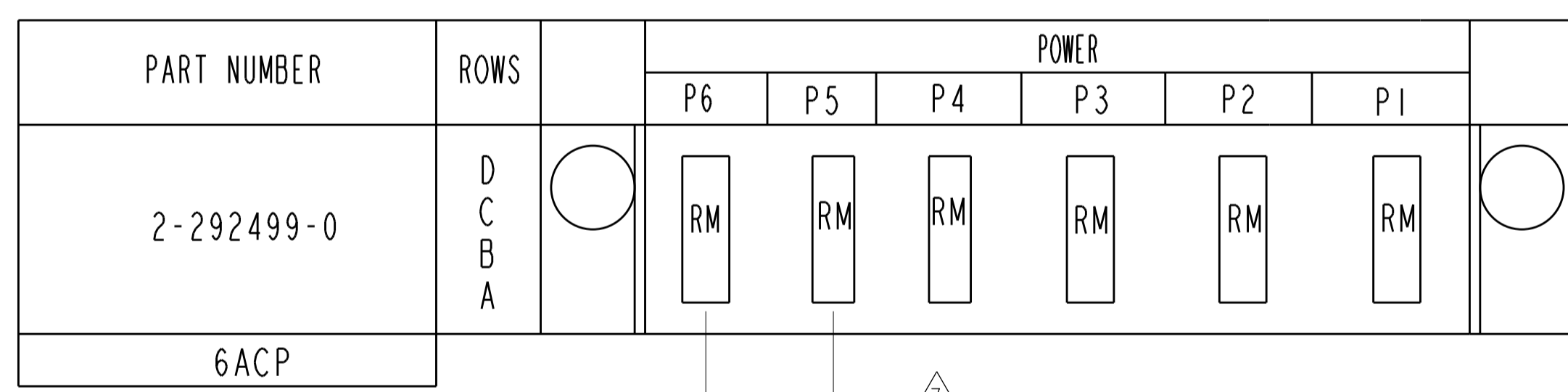
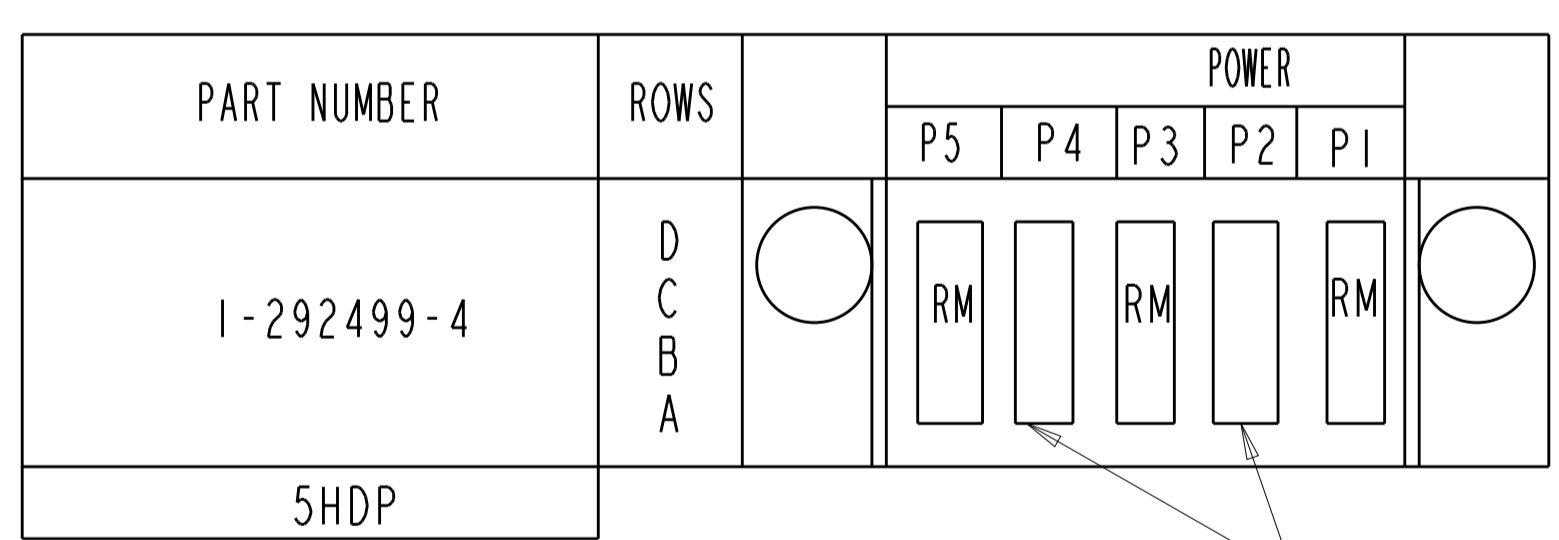
LOC	DIST	REV	DATE	BY	APPV
ES	00				
		DESCRIPTION		DATE	BY
		SEE SHEET 1			



NO LOADING CONTACT

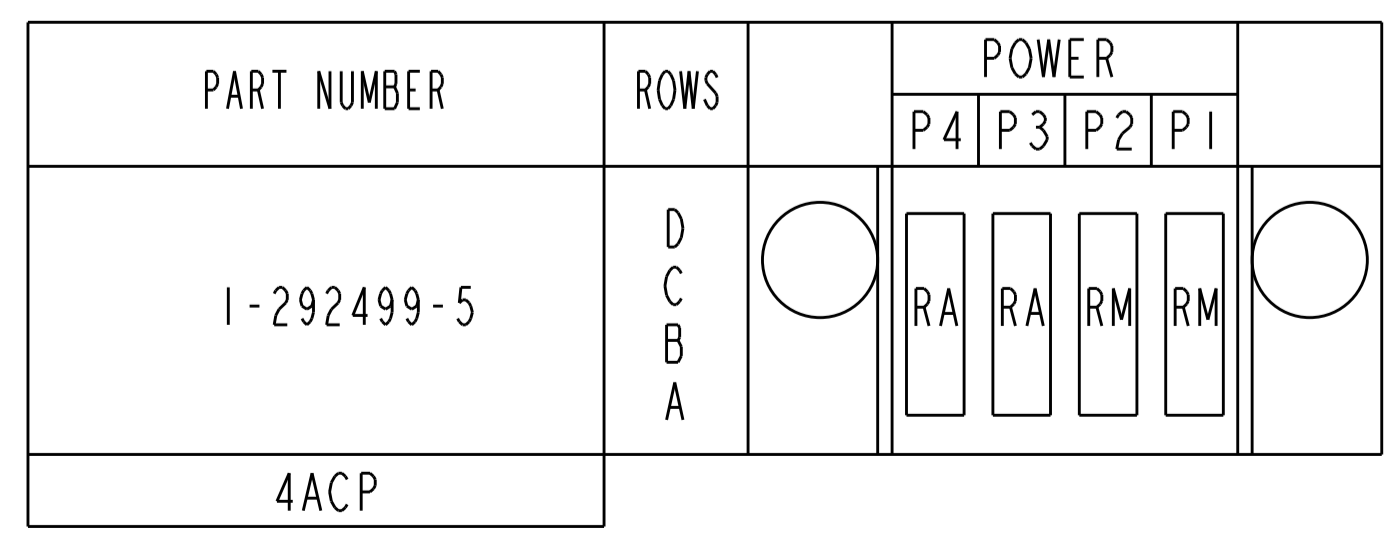


.425
5PLC



.425
5PLC

NO LOADING CONTACT



THIS DRAWING IS A CONTROLLED DOCUMENT.		DWN: S.ZHAO 08AUG2006 CHK: S.ZHAO 08AUG2006 APVD: S.YAO PRODUCT SPEC APPLICATION SPEC	STE TE Connectivity NAME: SLIDE TO LOCK PANEL MOUNT CABLE RECEPTACLE HOUSING, WITH GUIDES, MULTI-BEAM XL SIZE: A1 CAGE CODE: 00779 DRAWING NO: C=292499 WEIGHT: - MATERIAL: - FINISH: - Customer Drawing
DIMENSIONS: INCHES 	TOLERANCES UNLESS OTHERWISE SPECIFIED: 0 PLC ±. 1 PLC ±.01 2 PLC ±.01 3 PLC ±.005 4 PLC ±.002 ANGLES ±1°	SCALE: 1:1 SHEET: 3 OF 3 REV: E	

X-ON Electronics

Largest Supplier of Electrical and Electronic Components

Click to view similar products for [Headers & Wire Housings](#) category:

Click to view products by [TE Connectivity](#) manufacturer:

Other Similar products are found below :

[892-18-020-10-001101](#) [58102-G61-06LF](#) [582553-1](#) [0009485154](#) [009176003701906](#) [0050291907](#) [LY20-4P-DT1-P1E-BR](#) [02.125.8002.8](#)
[609-3404](#) [61062-3](#) [61082-181009](#) [622-3653LF](#) [63453-116](#) [636-1030](#) [636-1427](#) [636-3427](#) [636-4007](#) [641938-9](#) [641991-4](#) [644827-2](#) [65817-](#)
[010LF](#) [65817-015LF](#) [65863-015LF](#) [66207-023LF](#) [67095-007LF](#) [67601157](#) [68645-018](#) [68648-049](#) [70.362.1628.0](#) [70-4210](#) [70-4226B](#) [70-](#)
[4853B](#) [707-5020](#) [707-5028](#) [71.350.2428.0](#) [71918-208LF](#) [71961-016LF](#) [733-134](#) [733-162](#) [754199-000](#) [760-3052](#) [787-8014-00](#) [79531-3000](#)
[FCN-360C032-B](#) [FCN-367T-T012/H](#) [FCN-723D010/2](#) [80.063.4001.1](#) [800-90-001-10-001000](#) [800-90-010-10-002000](#) [801-43-002-10-013000](#)