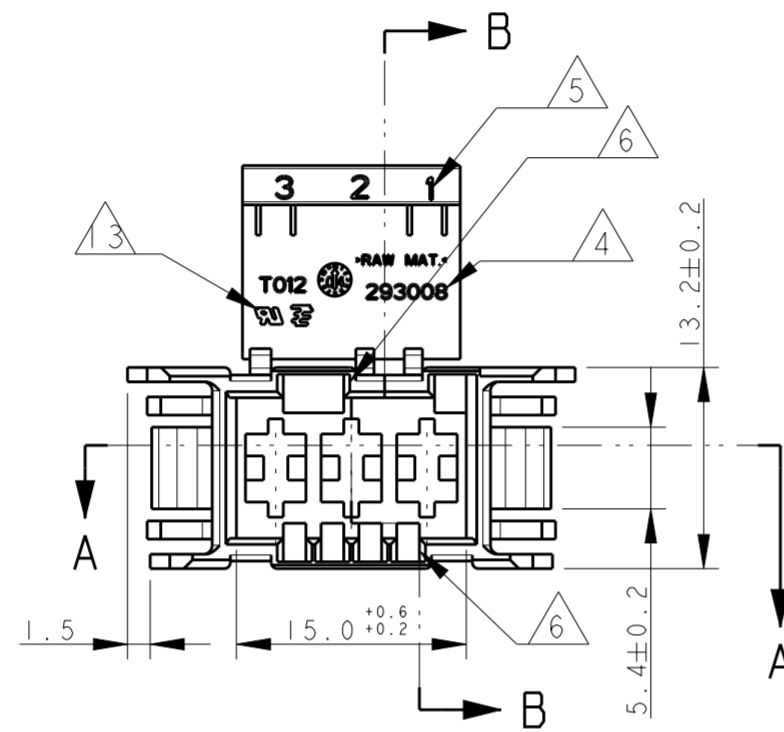
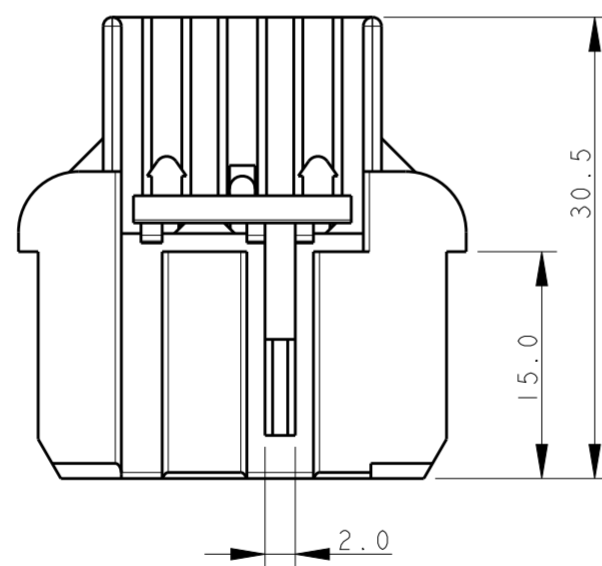
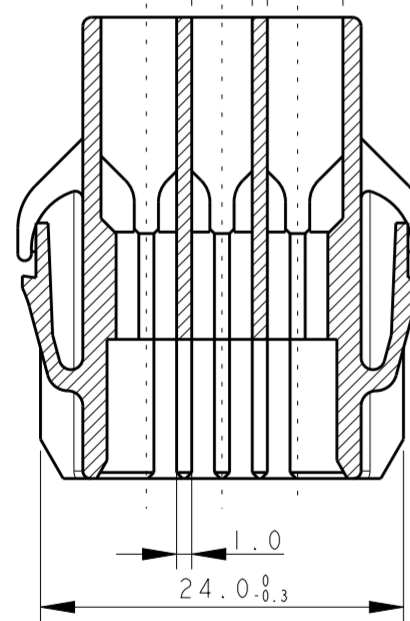
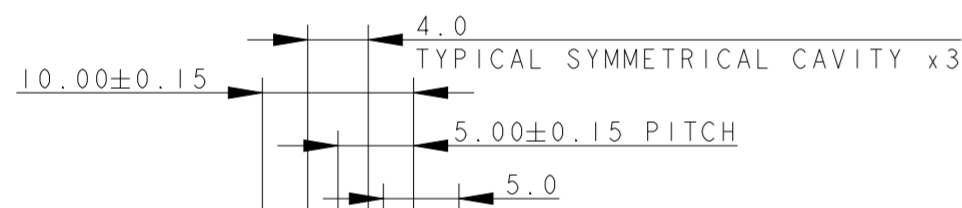


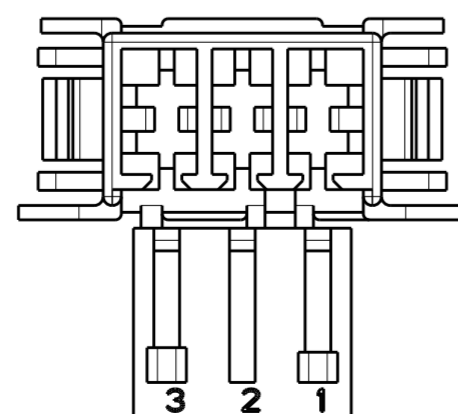
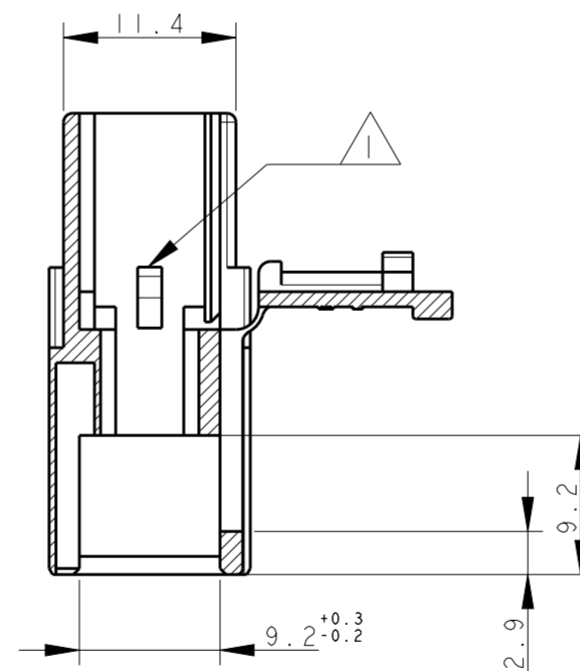
SCALE 1:1



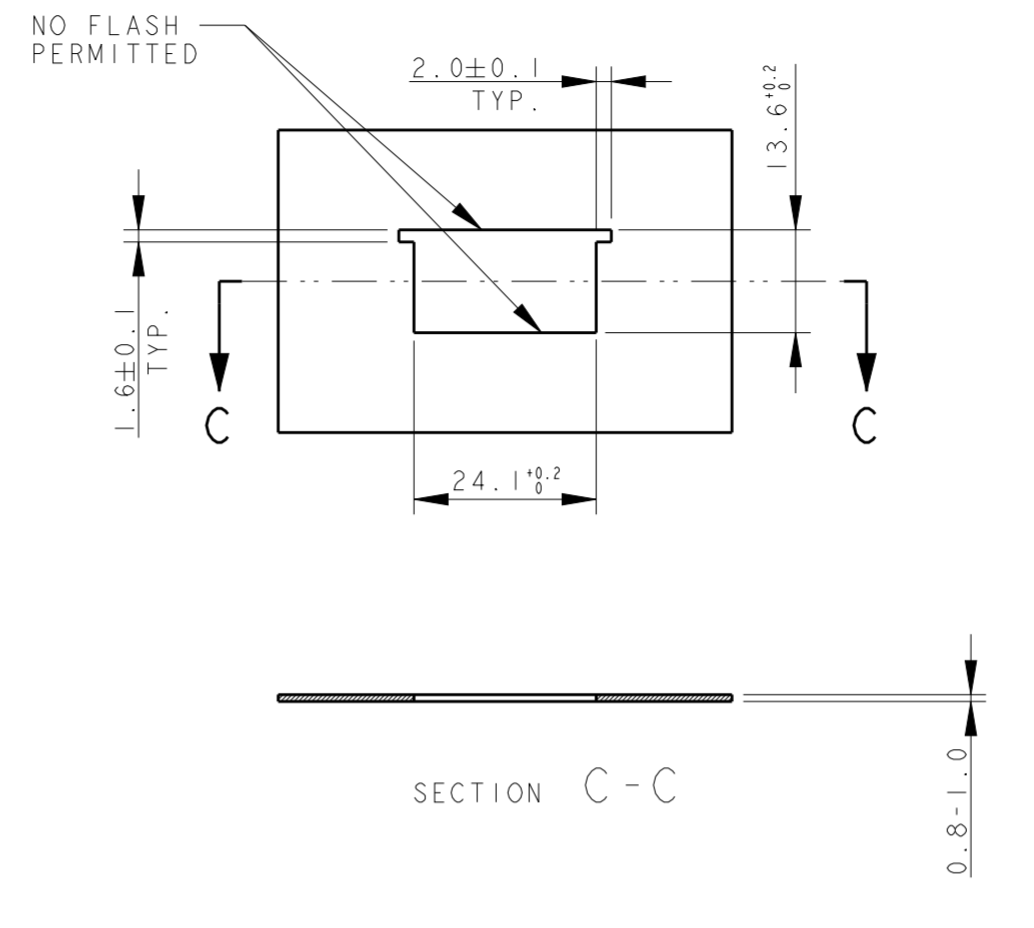
SECTION A-A



SECTION B-B



PANEL MOUNT DIMENSIONS SCALE 1:1



SECTION C-C

REVISIONS

P	LTR	DESCRIPTION	DATE	DWN	APVD
	C	ECR-17-015100	25OCT2017	KD	RR
	C1	ECR-17-015894	31OCT2017	KD	RR
	C2	ECR-18-003302	06MAR2018	KD	RR
	D	ECR-18-007762	26JUN2018	KD	FL

1) TYPICAL CAVITY SUITABLE FOR:
 FASTIN-FASTON TAB CONTACTS 6.3 mm SRS:
 P/N: 60294, 0.3-0.8 mm² WIRE RANGE
 160691, 0.3-0.8 mm² WIRE RANGE
 AMPLIVAR CONTACTS:
 P/N: 141051, 0.1-0.5 mm² WIRE RANGE
 142411, 0.3-1.6 mm² WIRE RANGE
 MAX. INSULATION DIA. 2.8 mm,
 MAX. INSULATION CRIMP WIDTH 3.3 mm.

2) PA6 UNFILLED, UL 94-V2, NATURE COLOUR
 ACCORDING TO IEC 60335-1 NORM. EDITION 4
 3) PA66 UNFILLED, UL 94-V2, NATURAL COLOUR

4) TRADEMARK "LOGO" AND
 TYCO ELECTRONICS "PART NUMBER"
 OPTIONAL POSITION.

5) CIRCUIT IDENTIFICATION NUMBERS, 1 TO 3

6) POLARIZATION KEYS DIMENTIONS AND POSITIONS
 ARE ACCORDING TO "RAST 5" NORM
 RAST CODE 03-A & 03-1.

7) PA66 UNFILLED, UL 94-V0, NATURAL COLOUR

8) PA66 UNFILLED, UL 94-V0 GWT, NATURAL COLOUR

9) PRELIMINARY - NOT RELEASED FOR PRODUCTION

10) PA66 UNFILLED, UL94-V0 GWT, NATURAL COLOUR

11) -

12) PA66 UNFILLED, UL94-V0 GWT, BLUE COLOR

13) ONLY FOR 293008-3, ADD UL LOGO

14) ADD GREEN COLOR MARKING

COLOUR	MATERIAL	TE P/N
BLUE	SEE NOTE 12	3-293008-1
NATURAL	SEE NOTE 10	2-293008-2
NATURAL	SEE NOTE 10	2-293008-1
NATURAL	SEE NOTE 2	1-293008-2
NATURAL	SEE NOTE 2	1-293008-1
NATURAL	SEE NOTE 10	293008-6
NATURAL	SEE NOTE 8	293008-5
NATURAL	SEE NOTE 7	293008-3
NATURAL	SEE NOTE 3	293008-2
NATURAL	SEE NOTE 2	293008-1

THIS DRAWING IS A CONTROLLED DOCUMENT.

DWN 27 FEB 2004

CHK H. YAALI

APVD C. TARTARI

PRODUCT SPEC

108-20256

APPLICATION SPEC

WEIGHT

CUSTOMER DRAWING

DIMENSIONS:	TOLERANCES UNLESS OTHERWISE SPECIFIED:
mm	0 PLC ±
	1 PLC ±0.3
	2 PLC ±
	3 PLC ±
	4 PLC ±
	ANGLES ±1°
	FINISH

SEE TABLE

SEE TABLE

STE TE Connectivity

NAME: 3 POS. FASTIN-FASTON Connector
 TAB HOUSING, RAST 5
 0.8-1.0 MM THK. PANEL MOUNT

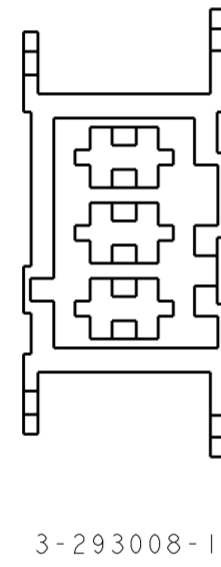
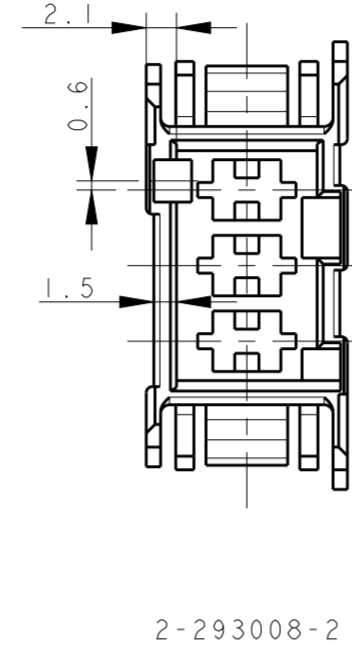
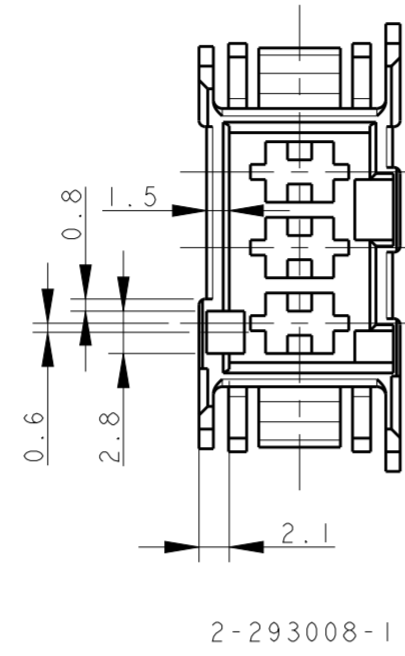
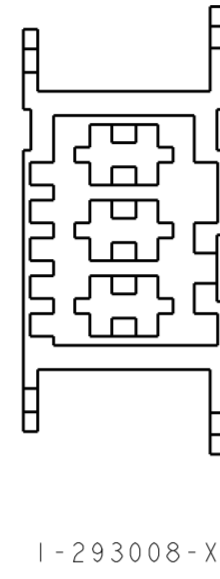
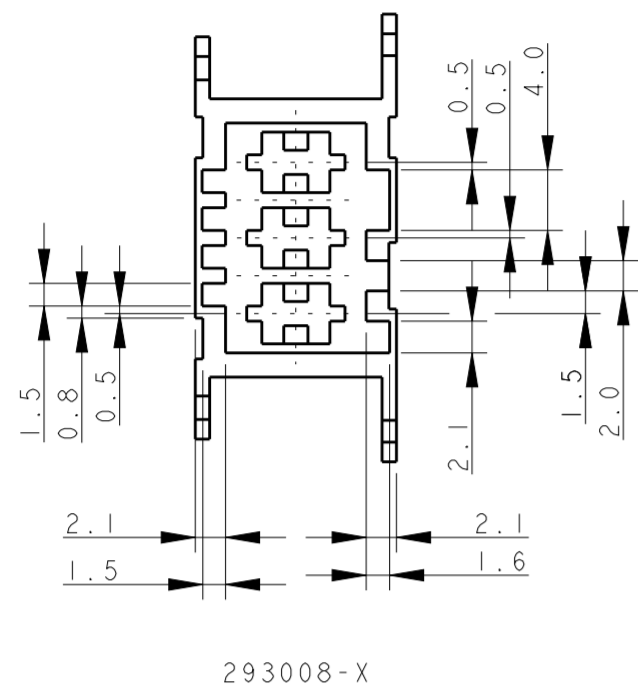
SIZE: A2 CAGE CODE: - DRAWING NO: C-293008 RESTRICTED TO: -

SCALE: 5:1 SHEET: 1 OF 2 REV: D

THIS DRAWING IS UNPUBLISHED. RELEASED FOR PUBLICATION 2003
 © COPYRIGHT 2003 BY - ALL RIGHTS RESERVED.

REVISIONS				
P	LTR	DESCRIPTION	DATE	APVD
-	-	SEE SHEET 1	-	-

POLARIZATION SCHEME



THIS DRAWING IS A CONTROLLED DOCUMENT.		DWN H. YAALI	27 FEB 2004		TE Connectivity
DIMENSIONS: mm		CHK C. TARTARI	APVD		
TOLERANCES UNLESS OTHERWISE SPECIFIED:		PRODUCT SPEC		RESTRICTED TO	
0 PLC ±-		108-20256		SIZE CAGE CODE DRAWING NO	
1 PLC ±0.3		APPLICATION SPEC		A2 - C-293008	
2 PLC ±-		WEIGHT		SCALE 2:1 SHEET 2 OF 2 REV D	
3 PLC ±-		CUSTOMER DRAWING			
4 PLC ±-					
ANGLES ±1°					
FINISH					
MATERIAL SEE TABLE					
SEE TABLE					

X-ON Electronics

Largest Supplier of Electrical and Electronic Components

Click to view similar products for [Standard Card Edge Connectors](#) category:

Click to view products by [TE Connectivity](#) manufacturer:

Other Similar products are found below :

[CR7E-30DB-3.96E\(72\)](#) [6364499-1](#) [6565204-6](#) [PKC-156](#) [1437274-4](#) [147889-1](#) [1489165-4](#) [EBT15622B2X](#) [1-582587-1](#) [284-0102-12100](#)
[286-0052-12101A](#) [306022901000000](#) [307-012-502-202](#) [307-056-520-300](#) [2129318-1](#) [245-062-520-350](#) [287-0032-12101](#) [306-028-525-102](#)
[307-072-526-202](#) [345-060-559-303](#) [392-008-559-201](#) [534671-1](#) [341-240-317](#) [345-044-500-300](#) [346-240-318](#) [395-100-524-300](#) [09-07-2032](#)
[10035388-802LF](#) [10115859-011LF](#) [10122859-009LF](#) [10127905-B04B24BLF](#) [530555-1](#) [5-678046-1](#) [73726-0005](#) [66308-1](#) [1-1437275-6](#)
[PEC-07-02-T-S-A](#) [346-014-520-801](#) [307-048-502-202](#) [CE100F22-9-C](#) [CE100F26-7-C](#) [CE100F28-3-D](#) [CE156F18-9-C](#) [CE156F22-5-D](#)
[CE156F22-9-C](#) [CT100F22-2-D](#) [CT100F22-3-D](#) [CT100F24-2-D](#) [CT100F24-3-D](#) [CT100F24-6-C](#)