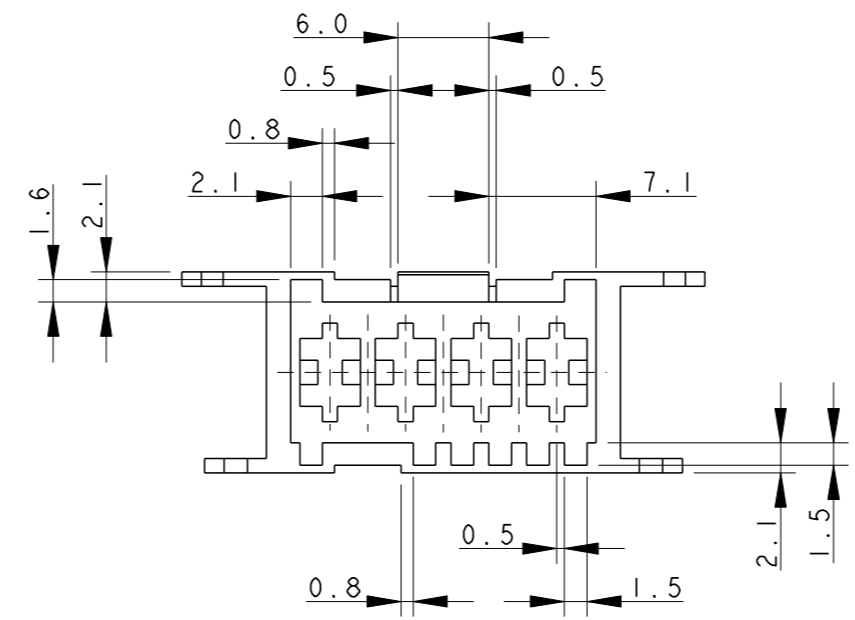


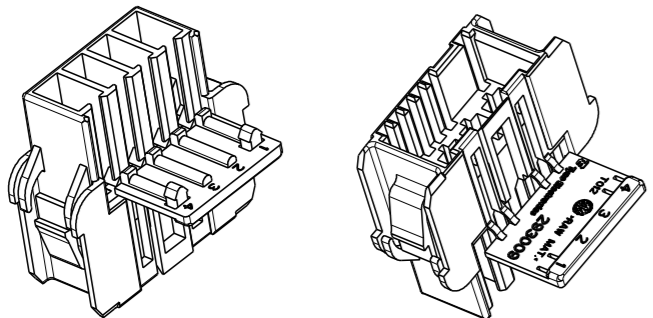
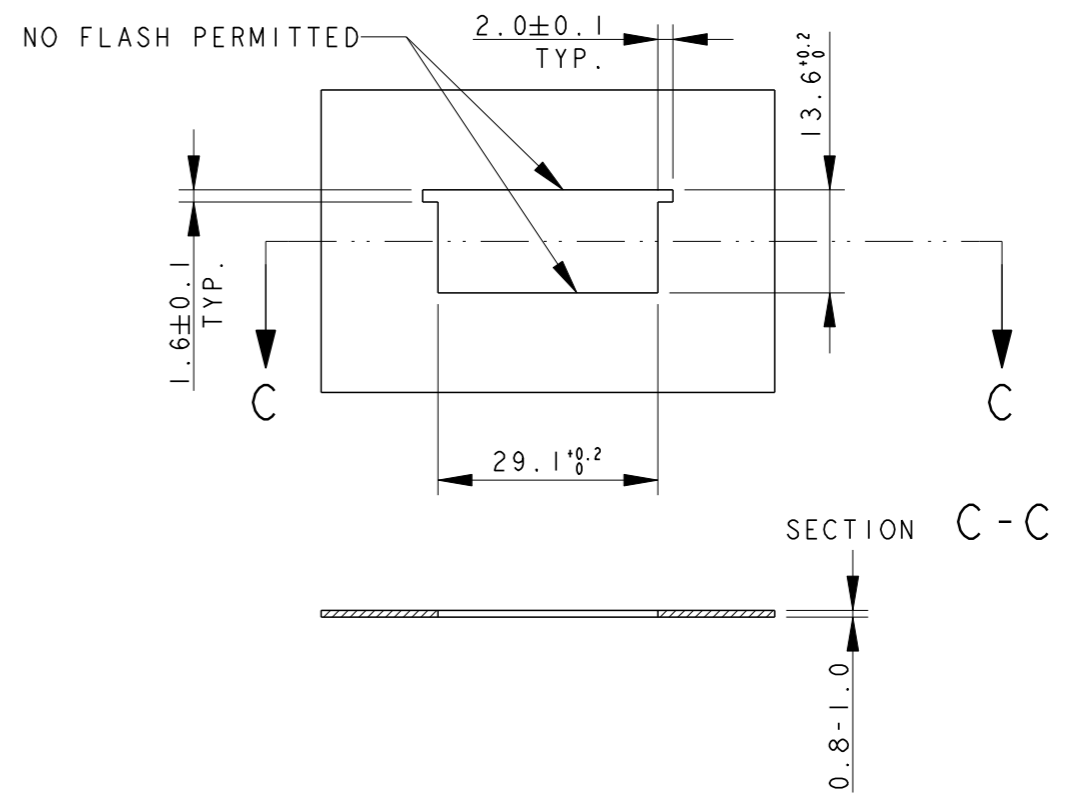
THIS DRAWING IS UNPUBLISHED. RELEASED FOR PUBLICATION 2003  
 © COPYRIGHT 2003 BY TYCO ELECTRONICS CORPORATION. ALL RIGHTS RESERVED.

LOC		DIST		REVISIONS			
P	LTR	DESCRIPTION	DATE	DWN	APVD		
	B	RELEASED, ET00-0224-04	11 NOV 2004	HY	GT		
	B1	UPDATED, ET00-0012-05	12 JAN 2005	HY	GT		
	B2	P/N 293009-3 ADDED AS PRELIMINARY	02 DEC 2009	PKS	RRP		
	B3	PN 293009-3 RELEASED	10MAR2011	PKS	MP		

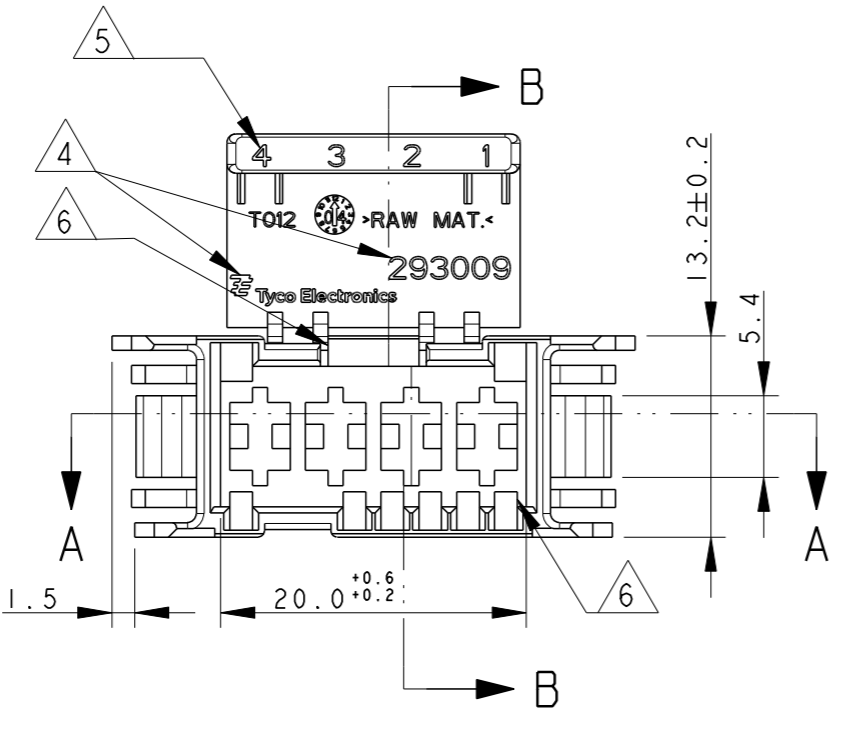
POLARIZATION KEYS SCHEME



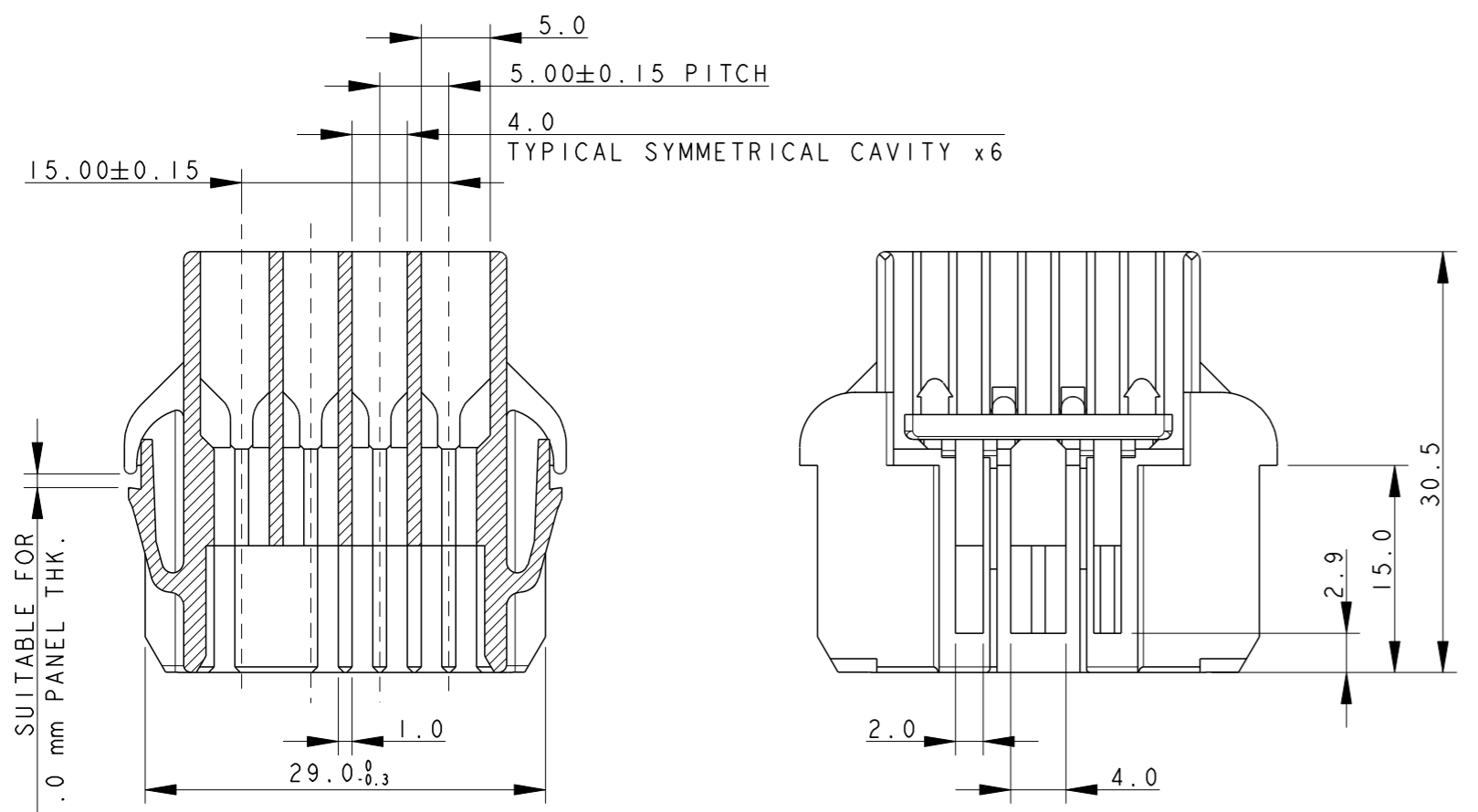
PANEL MOUNT DIMENSIONS SCALE 1:1



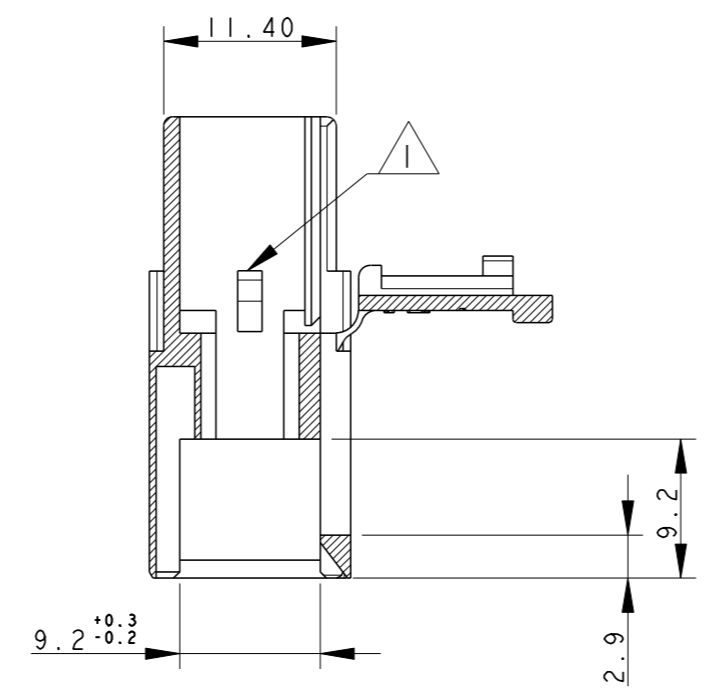
SCALE 1:1



SECTION A-A



SECTION B-B



- 1) TYPICAL CAVITY SUITABLE FOR:  
 FASTIN-FASTON TAB CONTACTS 6.3 mm SRS:  
 P/N: 60294, 0.3-0.8 mm<sup>2</sup> WIRE RANGE  
 160691, 0.3-0.8 mm<sup>2</sup> WIRE RANGE  
 AMPLIVAR CONTACTS:  
 P/N: 141051, 0.1-0.5 mm<sup>2</sup> WIRE RANGE  
 142411, 0.3-1.6 mm<sup>2</sup> WIRE RANGE  
 MAX. INSULATION DIA. 2.8 mm,  
 MAX. INSULATION CRIMP WIDTH 3.3 mm.
- 2) PA6 UNFILLED, UL 94-V2, NATURE COLOUR ACCORDING TO IEC 60335-1 NORM.
- 3) PA66 UNFILLED, UL 94-V2, NATURE COLOUR
- 4) TE TRADEMARK "LOGO" AND TYCO ELECTRONICS "PART NUMBER" OPTIONAL POSITION.
- 5) CIRCUIT IDENTIFICATION NUMBERS, 1 TO 4
- 6) POLARIZATION KEYS DIMENSIONS AND POSITIONS ARE ACCORDING TO "RAST 5" NORM RAST CODE 04-B, 04-C, 04-F, 04-G.
- 7) PA66 UNFILLED, UL 94-V0 GWT, NATURE COLOUR

NATURALE (NATUR)	VEDI NOTA 7 (SEE NOTE 7)	293009-3	B
NATURALE (NATUR)	VEDI NOTA 3 (SEE NOTE 3)	293009-2	B
NATURALE (NATUR)	VEDI NOTA 2 (SEE NOTE 2)	293009-1	B
COLORE (COLOUR)	MATERIALE (MATERIAL)	NUMERO (TE P/N)	REV

THIS DRAWING IS A CONTROLLED DOCUMENT FOR TYCO ELECTRONICS CORPORATION. IT IS SUBJECT TO CHANGE AND THE CONTROLLING ENGINEERING ORGANIZATION SHOULD BE CONTACTED FOR THE LATEST REVISION.		DWN	29 JAN 2004	Tyco Electronics AMP Italia S.p.A. C.so F. Cervi, 15 COLLEGGNO (TO)	
DIMENSIONS: mm		CHK	H. YAALI	NAME	
TOLERANCES UNLESS OTHERWISE SPECIFIED:		APVD	C. TARTARI	4 POS. FASTIN-FASTON Connector TAB HOUSING, RAST 5 0.8-1.0 MM THK. PANEL MOUNT VERSION	
0 PLC ±-		PRODUCT SPEC	-	SIZE	
1 PLC ±0.3		APPLICATION SPEC	108-20256	CAGE CODE	DRAWING NO
2 PLC ±-		WEIGHT	-	A2	00779
3 PLC ±-		CUSTOMER DRAWING			
4 PLC ±-		SCALE 3:1			
ANGLES ±1°		SHEET 1 OF 1			
FINISH		REV B3			

## X-ON Electronics

Largest Supplier of Electrical and Electronic Components

*Click to view similar products for [Terminal Block Tools & Accessories](#) category:*

*Click to view products by [TE Connectivity](#) manufacturer:*

Other Similar products are found below :

[1029563](#) [00171430102](#) [00171420102](#) [014415](#) [CSTSPC1-2](#) [9-1437653-4](#) [928358-1](#) [HCL10-6](#) [1437403-6](#) [1437403-9](#) [1437403-8](#) [147832-1](#)  
[EC0037-000](#) [MT2/H--](#) [MT2/H-32](#) [MT6/H-N](#) [MT6/V-GRND](#) [MT8/H-101-110](#) [BB2-09BF](#) [EP2.5/4UN/BG](#) [1707755](#) [1735590](#) [1755480](#)  
[1760336](#) [1789281](#) [1840227](#) [1840230](#) [2-1437402-1](#) [2-1437644-9](#) [JB2-09/J](#) [2202307](#) [2204082](#) [2302463](#) [2305949](#) [2310581](#) [8TK2-24](#)  
[91.201.1](#) [L2U2](#) [2778.0](#) [2901107](#) [2901123](#) [2901699](#) [2MP/J](#) [2MV-06](#) [1705126](#) [F03-25](#) [1810532](#) [1933011](#) [AMMC-6](#) [2200092](#)