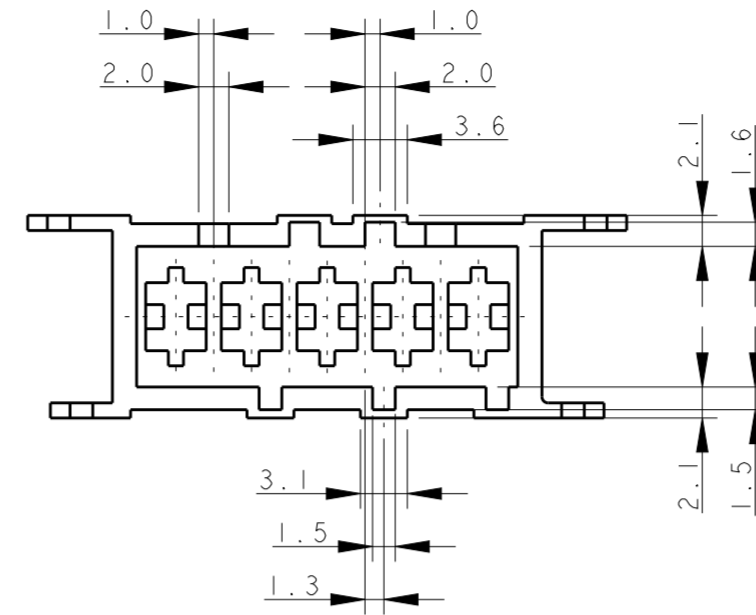


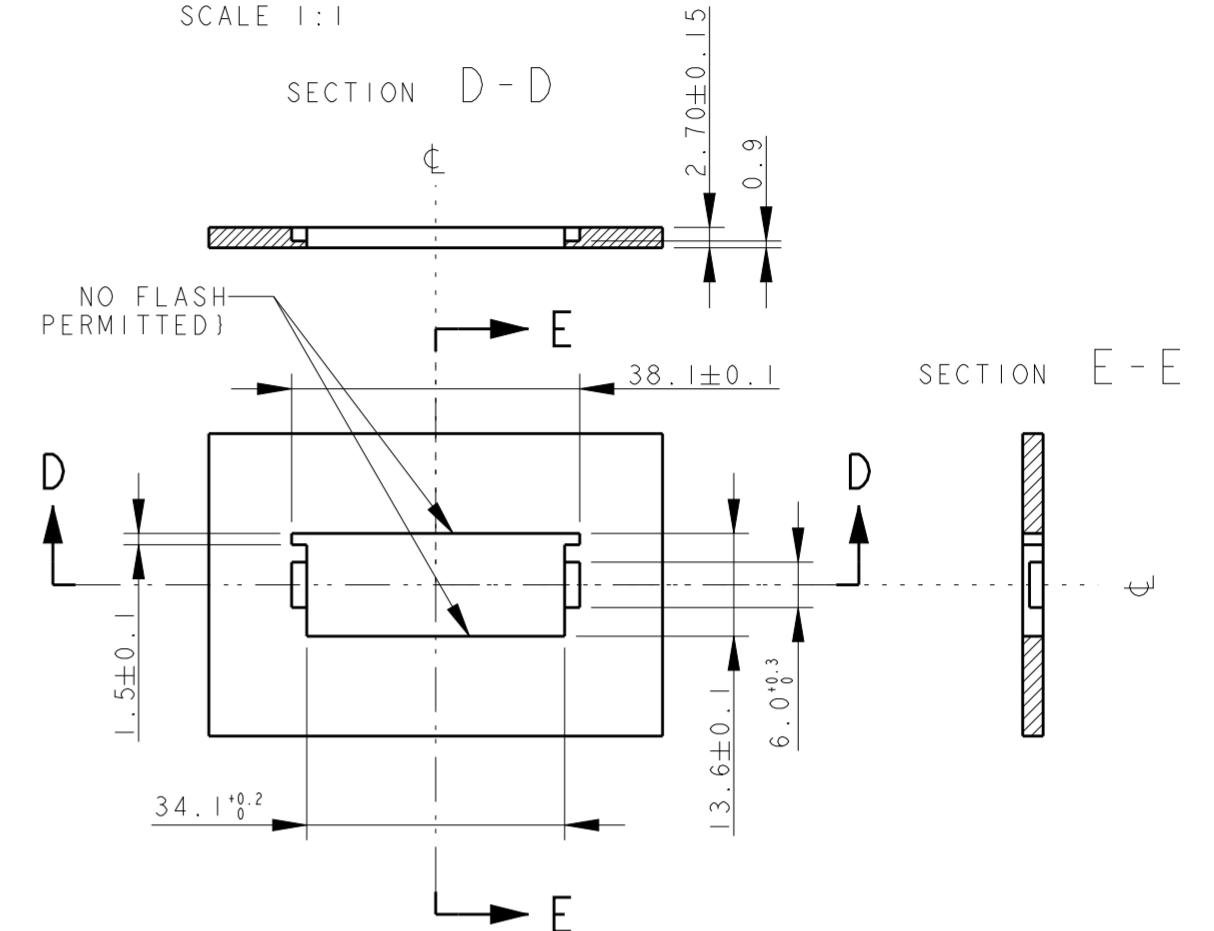
LOC	DIST	REVISIONS					
		P	LTR	DESCRIPTION	DATE	DWN	APVD
		B2		ADDED DASH 3	28 MAY 2008	H. Y.	G. T.
		B3		DASH VERSION 4 ADDED AS PRELIMINARY	02 DEC 2009	PKS	RRP
		B4		293010-4 RELEASED	10MAR2011	PKS	MP
		C		ECR-16-000014	18JAN2016	KD	RR

POLARIZATION KEYS SCHEME



PANEL MOUNT DIMENSIONS
SCALE 1:1

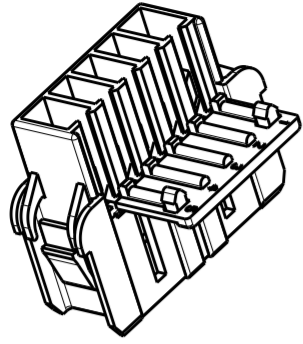
SECTION D-D



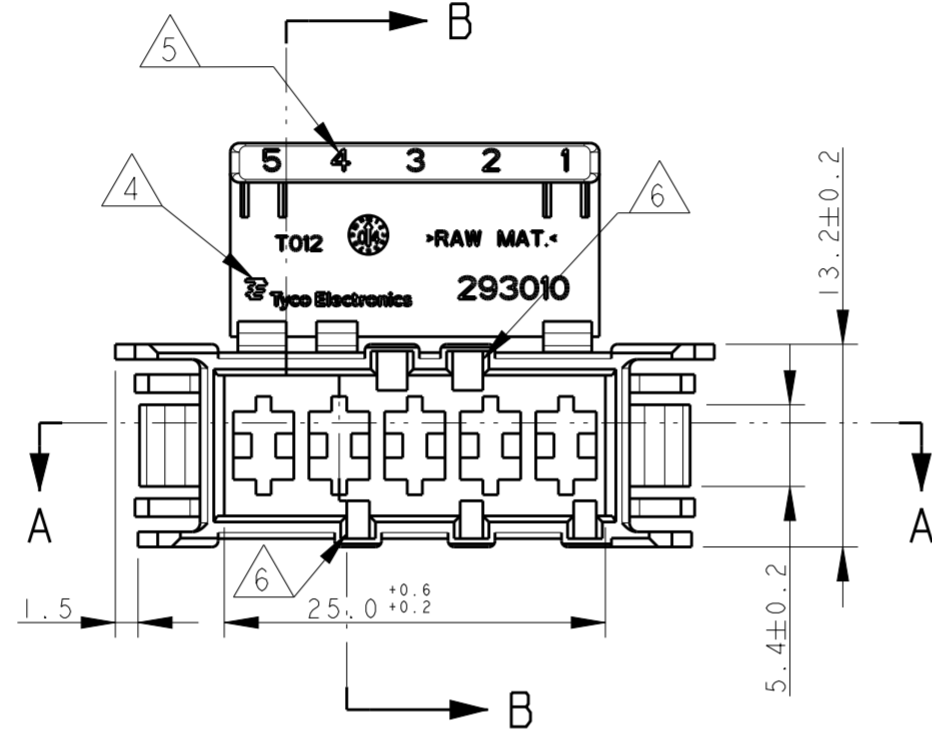
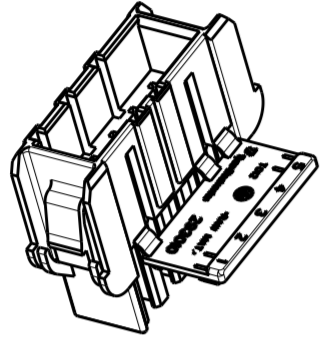
- 1 TYPICAL CAVITY SUITABLE FOR:
FASTIN-FASTON TAB CONTACTS 6.3 mm SRS:
P/N: 60294, 0.3-0.8 mm² WIRE RANGE
160691, 0.3-0.8 mm² WIRE RANGE
AMPLIVAR CONTACTS:
P/N: 141051, 0.1-0.5 mm² WIRE RANGE
142411, 0.3-1.6 mm² WIRE RANGE
MAX. INSULATION DIA. 2.8 mm,
MAX. INSULATION CRIMP WIDTH 3.3 mm.

- 2 PA6 UNFILLED, UL 94-V2, NATURE COLOUR ACCORDING TO IEC-60335-1 NORM.
- 3 PA66 UNFILLED, UL 94-V2, NATURE COLOUR
- 4 TE TRADEMARK "LOGO" AND TE ELECTRONICS "PART NUMBER" OPTIONAL POSITION.
- 5 CIRCUIT IDENTIFICATION NUMBERS, 1 TO 5
- 6 POLARIZATION KEYS DIMENSIONS AND POSITIONS ARE ACCORDING TO "RAST 5" NORM RAST CODE 05-B, 05-D
- 7 PA66 UNFILLED, UL94-V0, NATURAL COLOR
- 8 PA66 UNFILLED, UL94 V0 GW, NATURAL

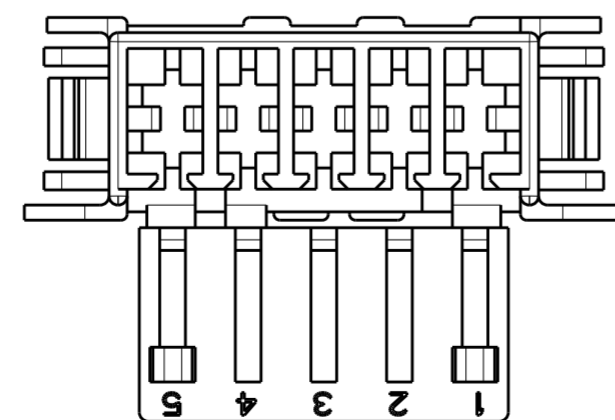
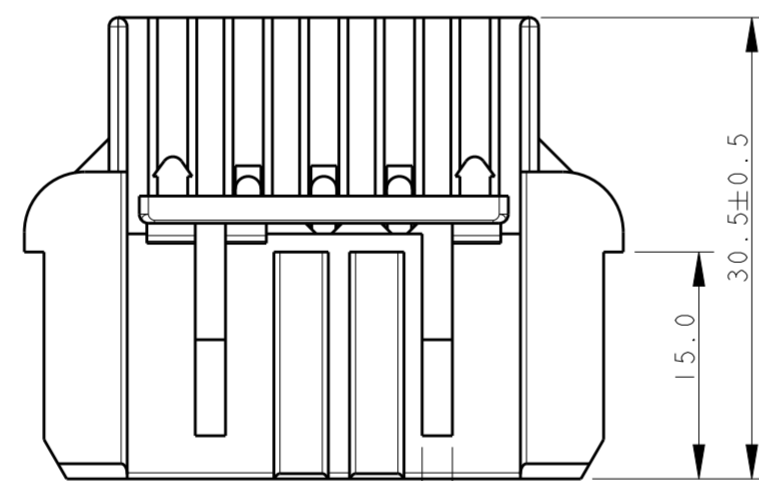
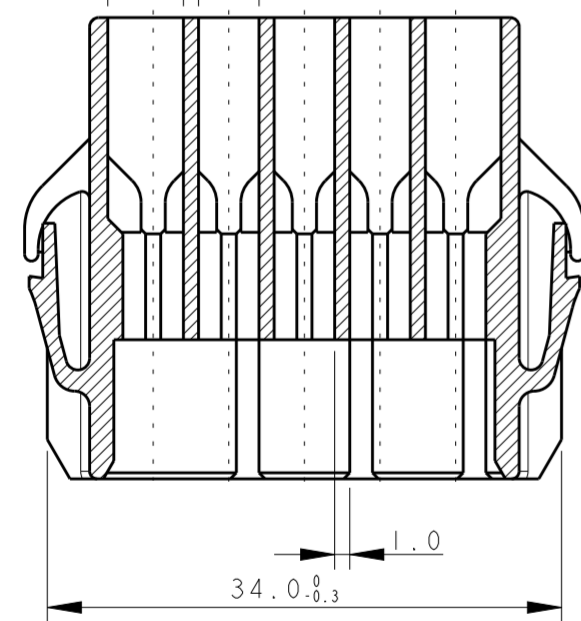
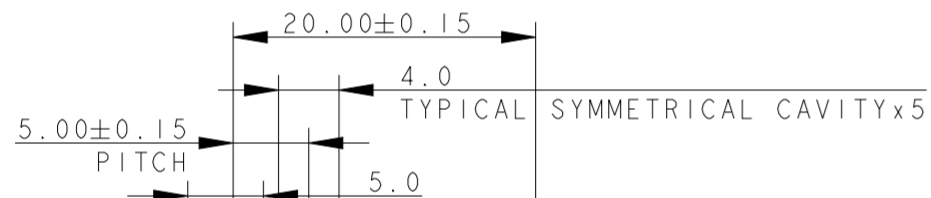
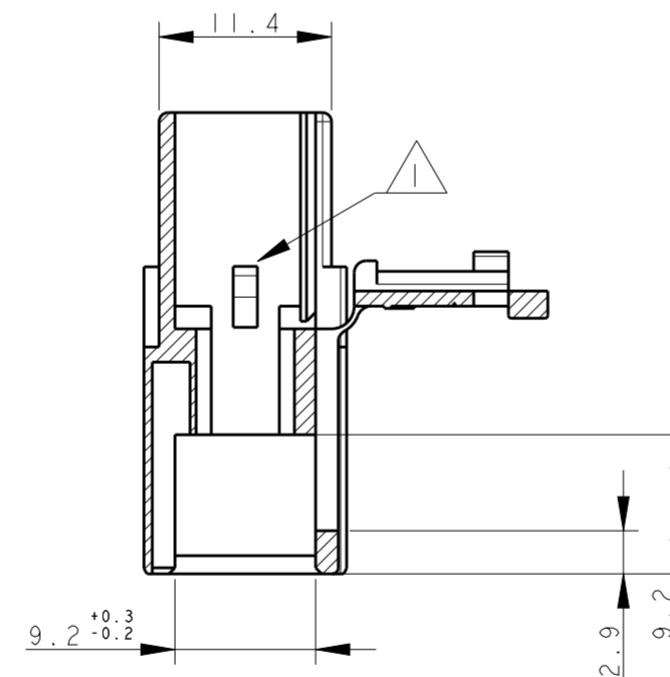
NATURALE (NATUR)	VEDI NOTA 8 (SEE NOTE 8)	293010-4	C
NATURALE (NATUR)	VEDI NOTA 7 (SEE NOTE 7)	293010-3	C
NATURALE (NATUR)	VEDI NOTA 3 (SEE NOTE 3)	293010-2	C
NATURALE (NATUR)	VEDI NOTA 2 (SEE NOTE 2)	293010-1	C
COLORE (COLOUR)	MATERIALE (MATERIAL)	NUMERO (TE P/N)	REV



SCALE 1:1



SECTION B-B



THIS DRAWING IS A CONTROLLED DOCUMENT FOR TYCO ELECTRONICS CORPORATION IT IS SUBJECT TO CHANGE AND THE CONTROLLING ENGINEERING ORGANIZATION SHOULD BE CONTACTED FOR THE LATEST REVISION.

DIMENSIONS:	TOLERANCES UNLESS OTHERWISE SPECIFIED:	DWN	H. YAALI
mm	0 PLC ±	CHK	C. TARTARI
	1 PLC ±0.3	APVD	
	2 PLC ±	PRODUCT SPEC	108-20256
	3 PLC ±	APPLICATION SPEC	
	4 PLC ±	WEIGHT	
	ANGLES ±1°	CUSTOMER DRAWING	
MATERIAL	FINISH	SCALE	2:1
SEE TABLE	SEE TABLE	SHEET	1 OF 1

Tyco Electronics		Tyco Electronics AMP Italia S.p.A. C.so F. Cervi, 15 COLLEGGNO (TO)	
NAME 5 POS. FASTIN-FASTON Connector TAB HOUSING, RAST 5 08-1.0 MM THK. PANEL MOUNT VERSION			
SIZE	CAGE CODE	DRAWING NO	RESTRICTED TO
A2	00779	C-293010	
SCALE 2:1		SHEET 1 OF 1	REV C

X-ON Electronics

Largest Supplier of Electrical and Electronic Components

Click to view similar products for [Headers & Wire Housings](#) category:

Click to view products by [TE Connectivity](#) manufacturer:

Other Similar products are found below :

[892-18-020-10-001101](#) [58102-G61-06LF](#) [582553-1](#) [0009485154](#) [009176003701906](#) [0050291907](#) [LY20-4P-DT1-P1E-BR](#) [02.125.8002.8](#)
[609-3404](#) [61062-3](#) [61082-181009](#) [622-3653LF](#) [63453-116](#) [636-1030](#) [636-1427](#) [636-3427](#) [636-4007](#) [641938-9](#) [641991-4](#) [644827-2](#) [65817-](#)
[010LF](#) [65817-015LF](#) [65863-015LF](#) [66207-023LF](#) [67095-007LF](#) [67601157](#) [68645-018](#) [68648-049](#) [70.362.1628.0](#) [70-4210](#) [70-4226B](#) [70-](#)
[4853B](#) [707-5020](#) [707-5028](#) [71.350.2428.0](#) [71918-208LF](#) [71961-016LF](#) [733-134](#) [733-162](#) [754199-000](#) [760-3052](#) [787-8014-00](#) [79531-3000](#)
[FCN-360C032-B](#) [FCN-367T-T012/H](#) [FCN-723D010/2](#) [80.063.4001.1](#) [800-90-001-10-001000](#) [800-90-010-10-002000](#) [801-43-002-10-013000](#)