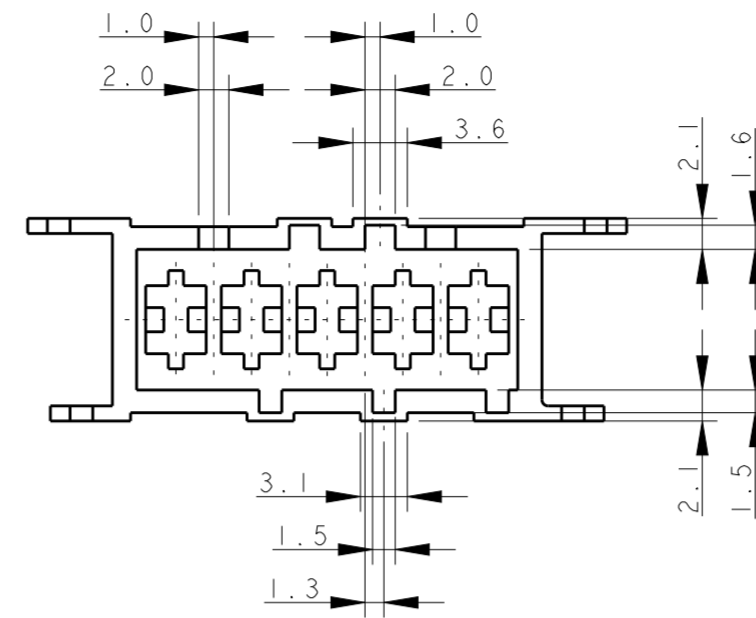


THIS DRAWING IS UNPUBLISHED. RELEASED FOR PUBLICATION 2003
 © COPYRIGHT 2003 BY TYCO ELECTRONICS CORPORATION. ALL RIGHTS RESERVED.

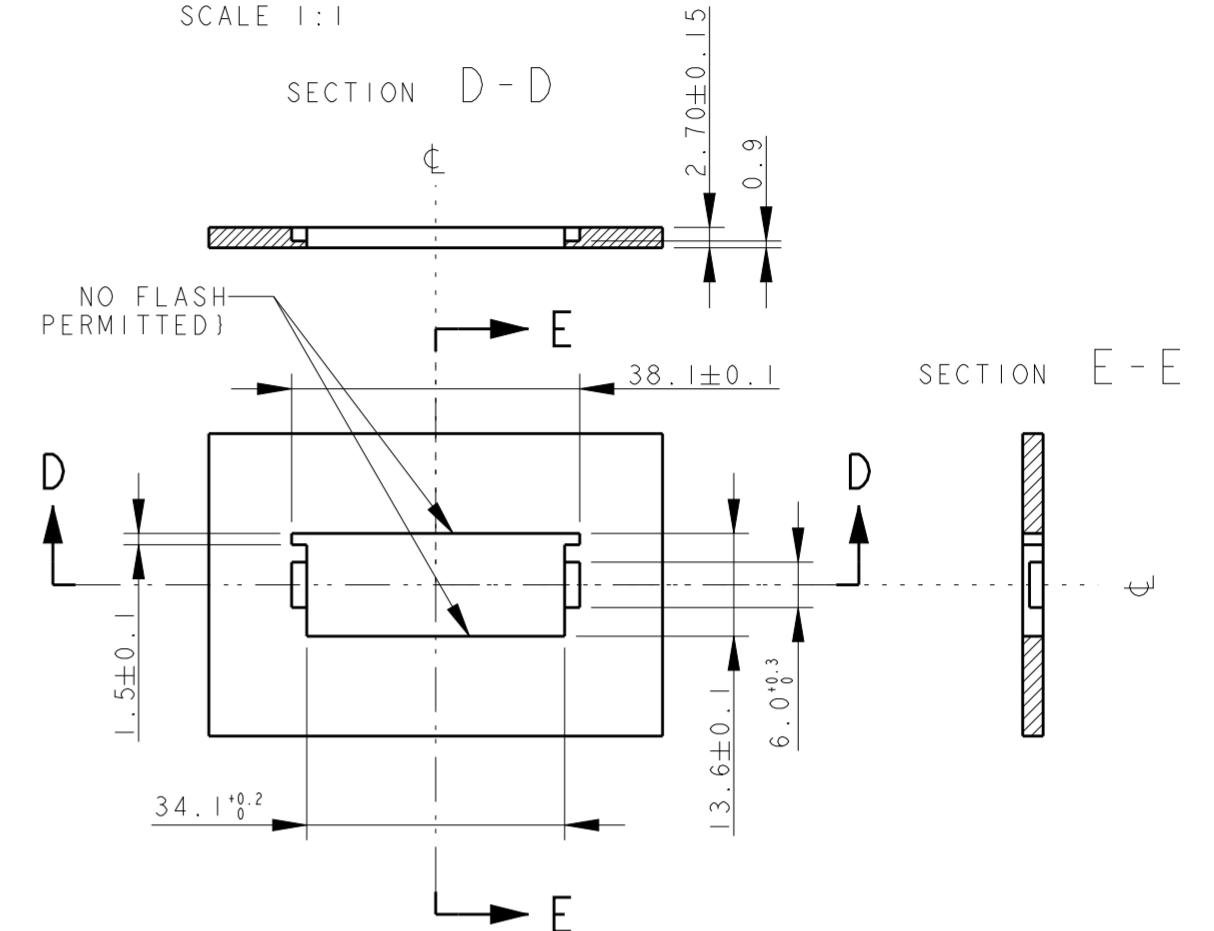
LOC	DIST	REVISIONS					
		P	LTR	DESCRIPTION	DATE	DWN	APVD
		B2		ADDED DASH 3	28 MAY 2008	H. Y.	G. T.
		B3		DASH VERSION 4 ADDED AS PRELIMINARY	02 DEC 2009	PKS	RRP
		B4		293010-4 RELEASED	10MAR2011	PKS	MP
		C		ECR-16-000014	18JAN2016	KD	RR

POLARIZATION KEYS SCHEME



PANEL MOUNT DIMENSIONS
SCALE 1:1

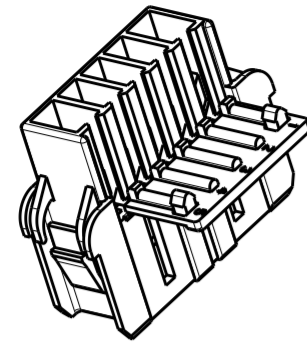
SECTION D-D



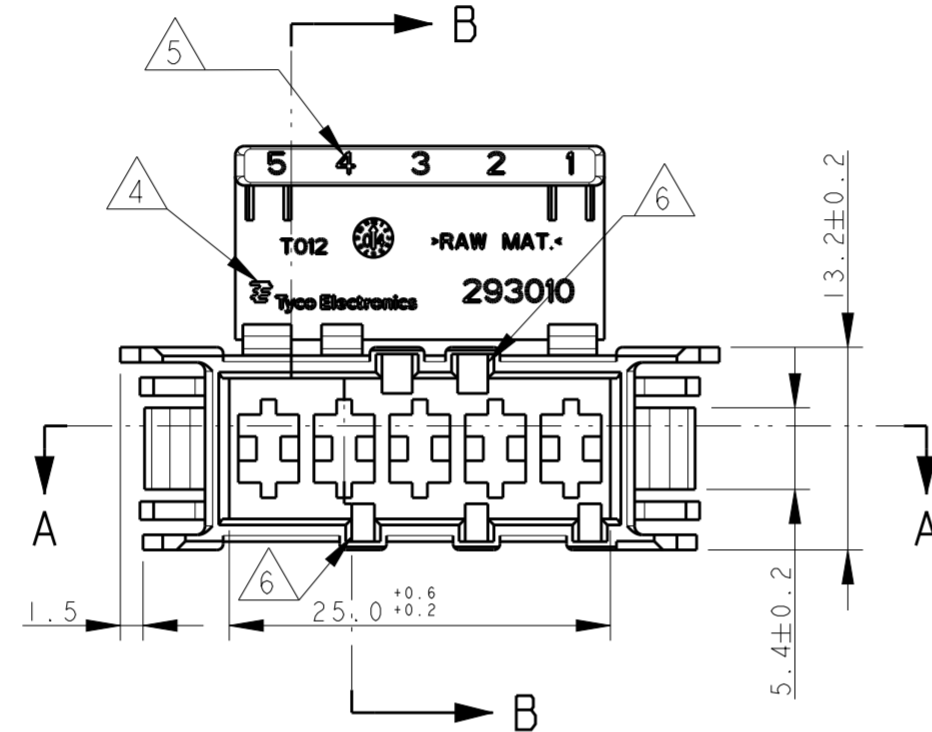
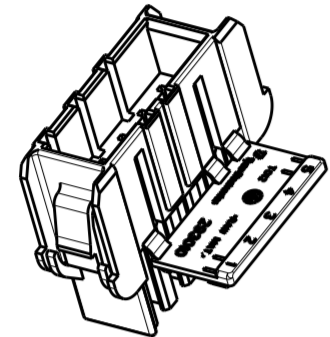
1 TYPICAL CAVITY SUITABLE FOR:
 FASTIN-FASTON TAB CONTACTS 6.3 mm SRS:
 P/N: 60294, 0.3-0.8 mm² WIRE RANGE
 160691, 0.3-0.8 mm² WIRE RANGE
 AMPLIVAR CONTACTS:
 P/N: 141051, 0.1-0.5 mm² WIRE RANGE
 142411, 0.3-1.6 mm² WIRE RANGE
 MAX. INSULATION DIA. 2.8 mm,
 MAX. INSULATION CRIMP WIDTH 3.3 mm.

- 2 PA6 UNFILLED, UL 94-V2, NATURE COLOUR ACCORDING TO IEC-60335-1 NORM.
- 3 PA66 UNFILLED, UL 94-V2, NATURE COLOUR
- 4 TE TRADEMARK "LOGO" AND TE ELECTRONICS "PART NUMBER" OPTIONAL POSITION.
- 5 CIRCUIT IDENTIFICATION NUMBERS, 1 TO 5
- 6 POLARIZATION KEYS DIMENSIONS AND POSITIONS ARE ACCORDING TO "RAST 5" NORM RAST CODE 05-B, 05-D
- 7 PA66 UNFILLED, UL94-V0, NATURAL COLOR
- 8 PA66 UNFILLED, UL94 V0 GW, NATURAL

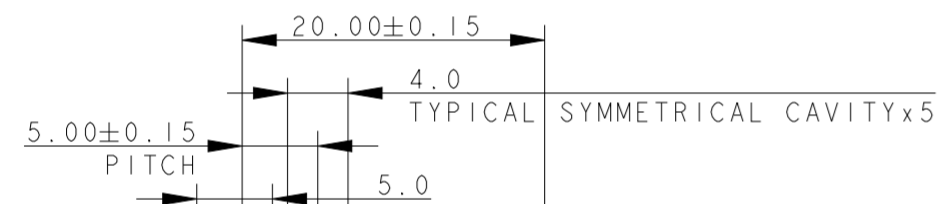
NATURALE (NATUR)	VEDI NOTA (SEE NOTE)	NUMERO (TE P/N)	REV
NATURALE (NATUR)	VEDI NOTA 8 (SEE NOTE 8)	293010-4	C
NATURALE (NATUR)	VEDI NOTA 7 (SEE NOTE 7)	293010-3	C
NATURALE (NATUR)	VEDI NOTA 3 (SEE NOTE 3)	293010-2	C
NATURALE (NATUR)	VEDI NOTA 2 (SEE NOTE 2)	293010-1	C
COLORE (COLOUR)	MATERIALE (MATERIAL)	NUMERO (TE P/N)	REV



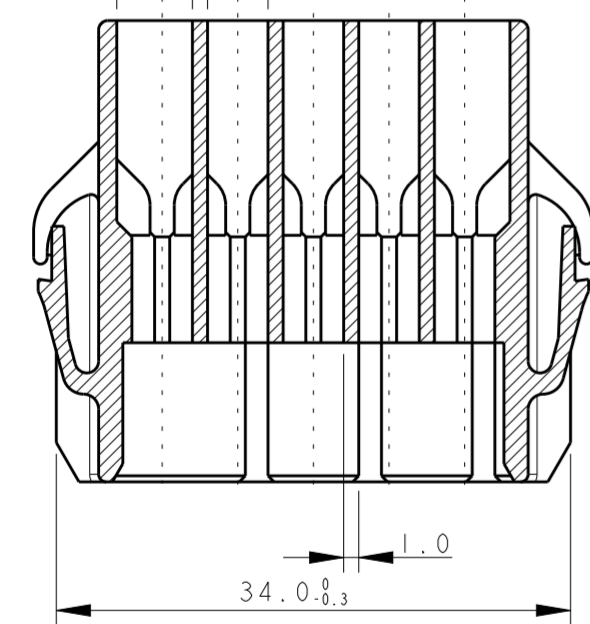
SCALE 1:1



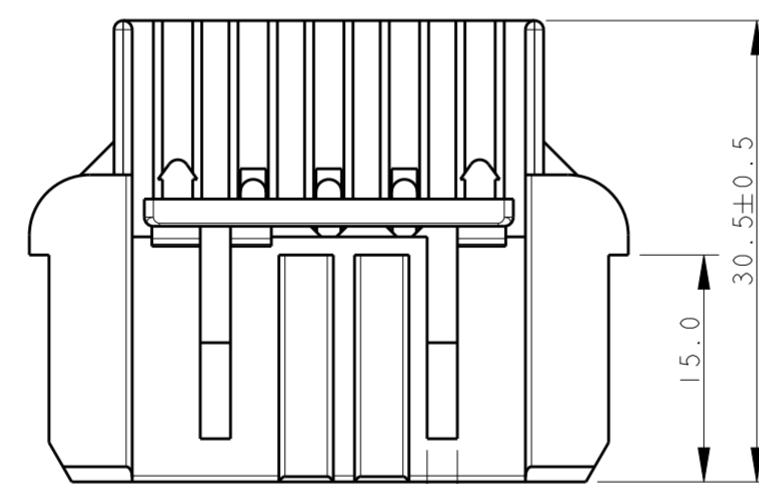
SECTION A-A



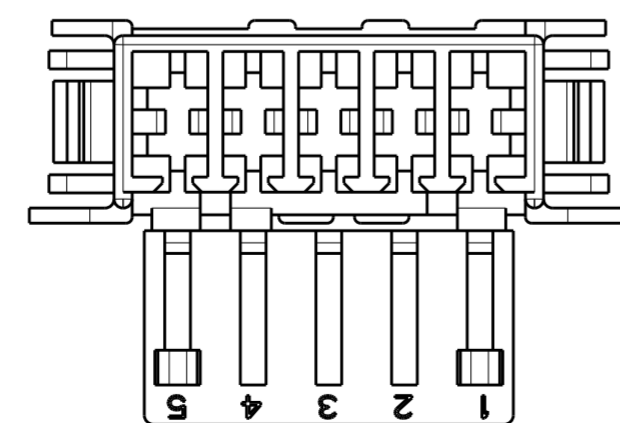
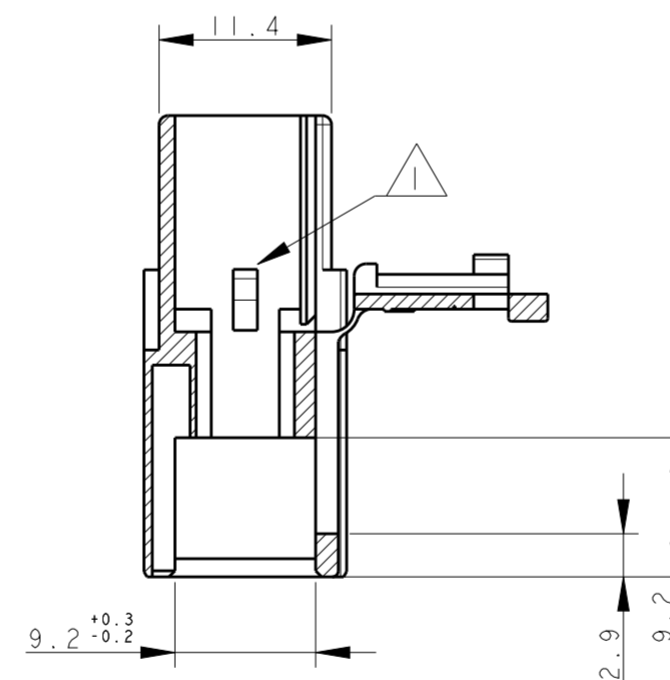
TYPICAL SYMMETRICAL CAVITYx5



SUITABLE FOR 0.8-1.0 mm PANEL THK.



SECTION B-B



THIS DRAWING IS A CONTROLLED DOCUMENT FOR TYCO ELECTRONICS CORPORATION IT IS SUBJECT TO CHANGE AND THE CONTROLLING ENGINEERING ORGANIZATION SHOULD BE CONTACTED FOR THE LATEST REVISION.

DIMENSIONS:	TOLERANCES UNLESS OTHERWISE SPECIFIED:
mm	0 PLC ±
	1 PLC ±0.3
	2 PLC ±
	3 PLC ±
	4 PLC ±
	ANGLES ±1°
MATERIAL	FINISH
SEE TABLE	SEE TABLE

DWN	H. YAALI	11FEB2004
CHK	C. TARTARI	
APVD		
PRODUCT SPEC	108-20256	
APPLICATION SPEC		
WEIGHT		
CUSTOMER DRAWING	SCALE 2:1	SHEET 1 OF 1

NAME: 5 POS. FASTIN-FASTON Connector TAB HOUSING, RAST 5 08-1.0 MM THK. PANEL MOUNT VERSION

SIZE: A2 CAGE CODE: 00779 DRAWING NO: C-293010 RESTRICTED TO: -

X-ON Electronics

Largest Supplier of Electrical and Electronic Components

Click to view similar products for [Terminals](#) category:

Click to view products by [TE Connectivity](#) manufacturer:

Other Similar products are found below :

[00-054007-01074-6](#) [00-054007-70206-1](#) [00-054007-70210-8](#) [00-054007-70217-7](#) [00-054007-70226-9](#) [00-054007-70228-3](#) [00-054007-70248-1](#) [00-054007-70256-6](#) [00-054007-70301-3](#) [00-054007-70316-7](#) [00-054007-49560-4](#) [00-054007-70209-2](#) [00-054007-70225-2](#) [00-054007-70227-6](#) [00-054007-70231-3](#) [00-054007-70241-2](#) [00-054007-70242-9](#) [00-054007-70244-3](#) [00-054007-70246-7](#) [00-054007-70263-4](#) [00-054007-70288-7](#) [00-054007-70290-0](#) [00-054007-70300-6](#) [00-054007-70304-4](#) [01-2065-1-0216](#) [01-2900-1-04412](#) [00581P0075](#) [600TS-10](#) [60205-1](#) [604200-1](#) [605601-1](#) [60598-1-CUT-TAPE](#) [61314-6-C](#) [61810-3](#) [61-S](#) [61-SN](#) [626-0194](#) [62-NBM-A](#) [62-SN](#) [62-SP](#) [63-S](#) [640179-1](#) [M55155/059I03](#) [M55155/079C01](#) [M55155/099H02](#) [M55155/109H01](#) [M55155/109H02](#) [M55155/12XH05](#) [M55155/16XH02](#) [M55155/29-5S](#)