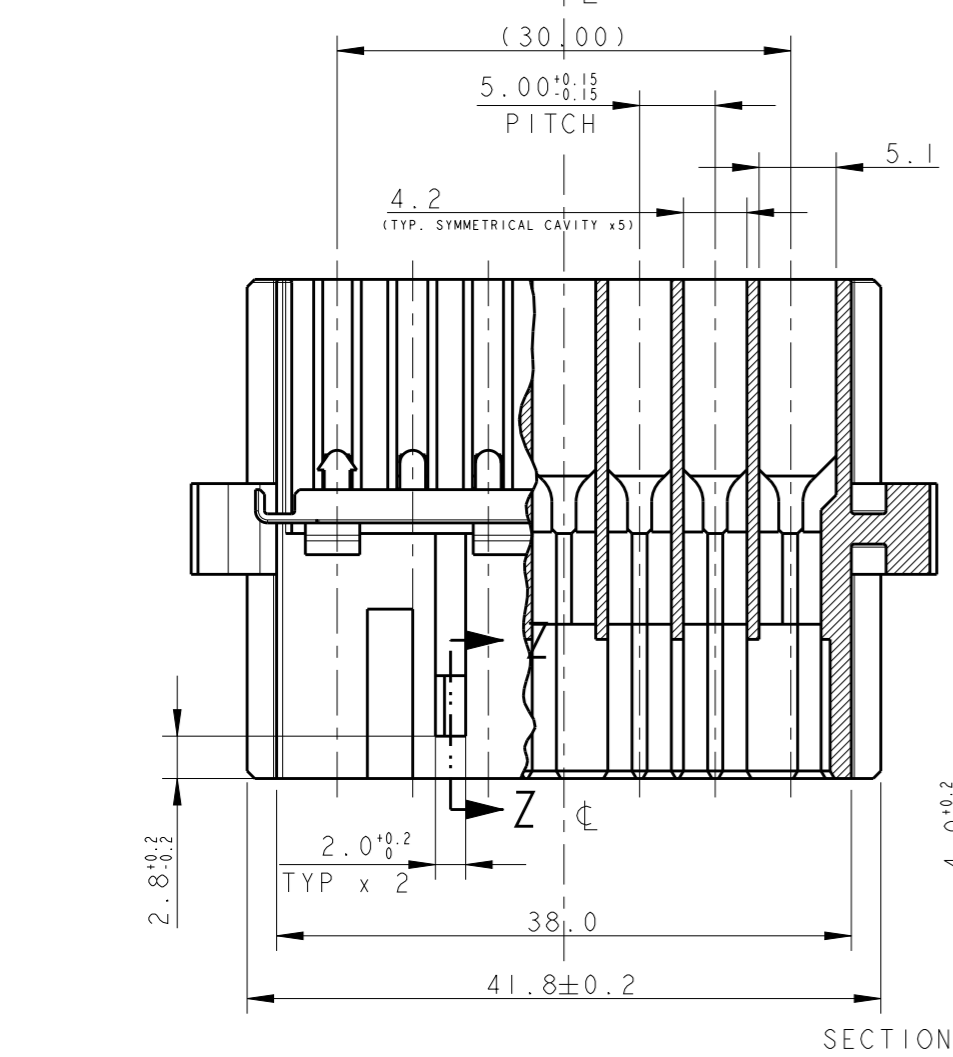
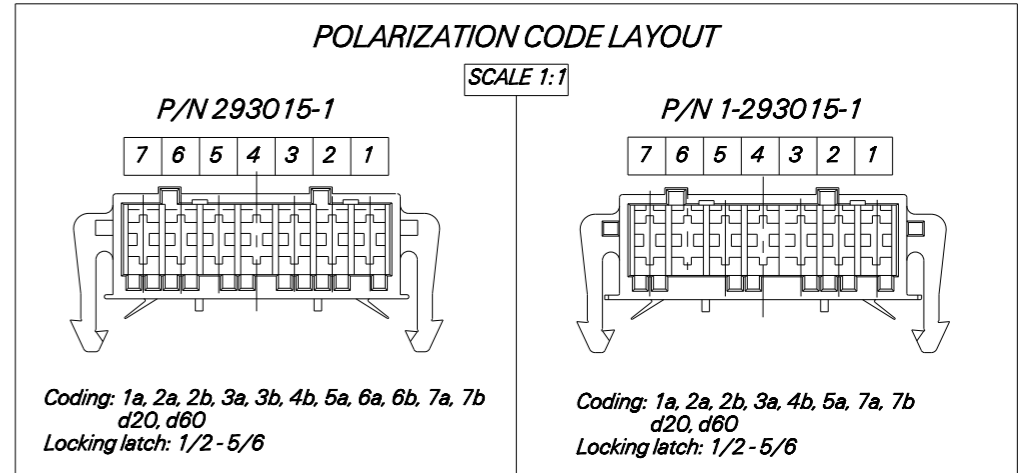
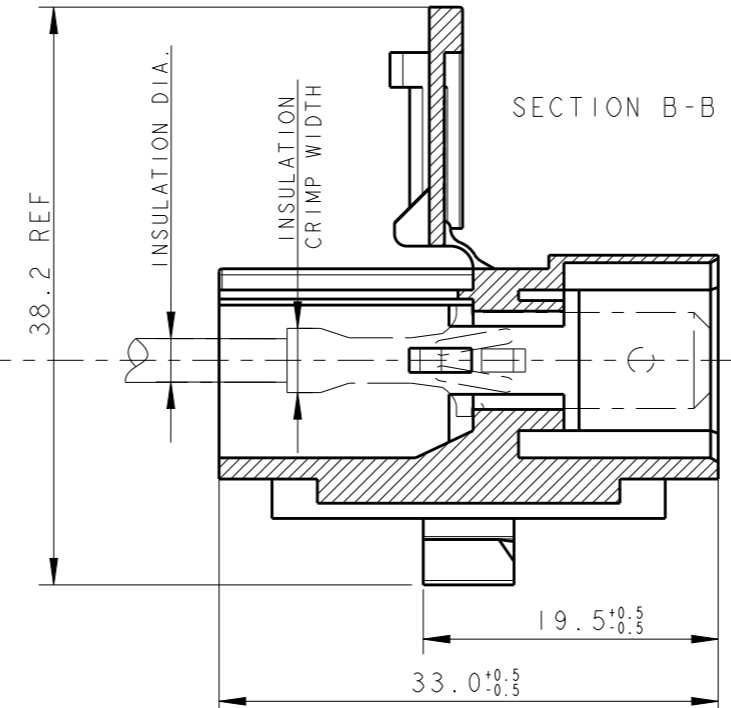
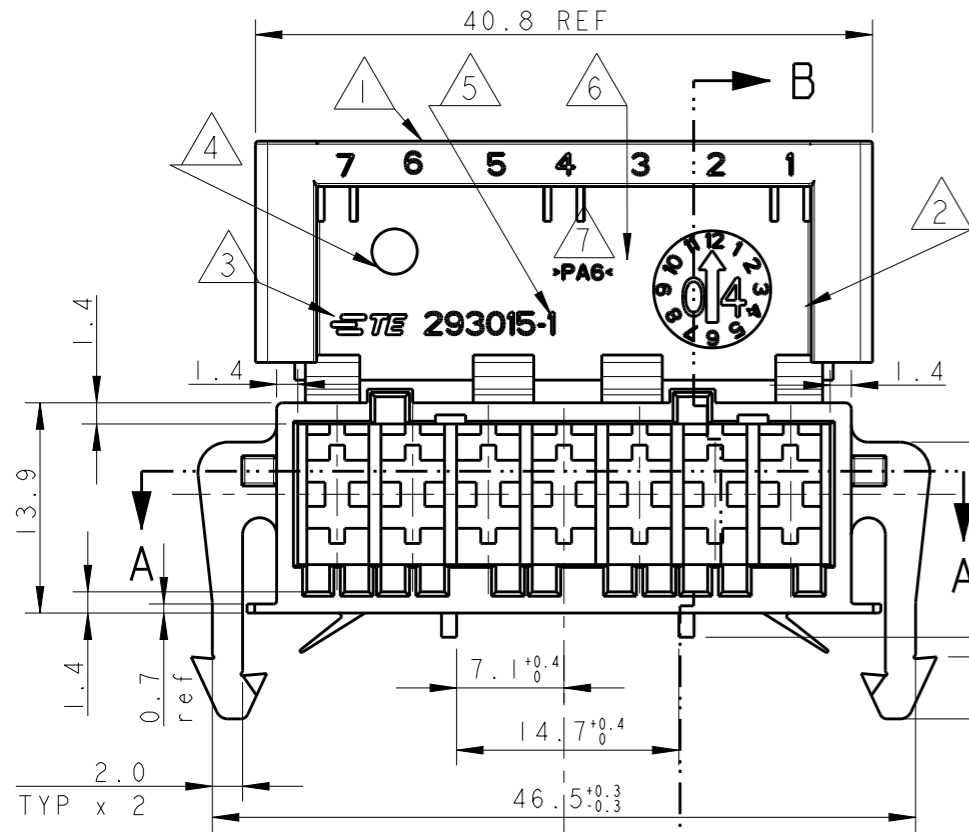


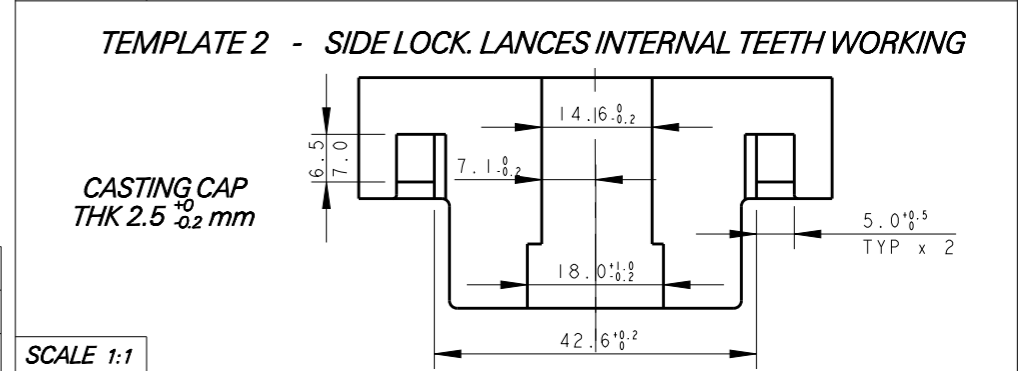
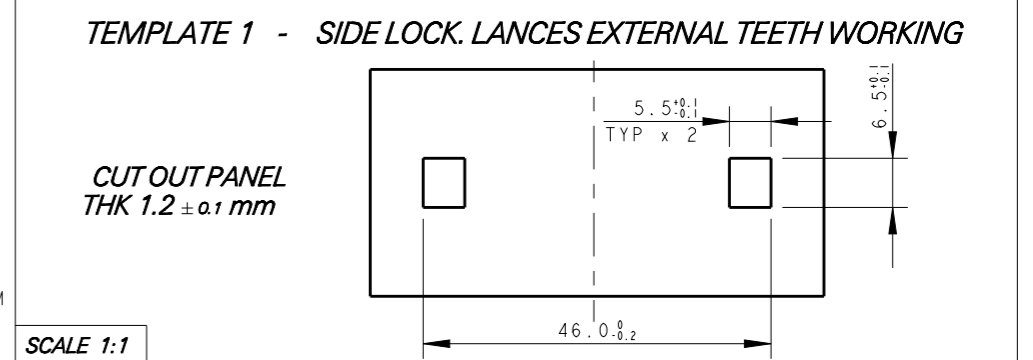
THIS DRAWING IS UNPUBLISHED. RELEASED FOR PUBLICATION 2003
 © COPYRIGHT 2003 BY TYCO ELECTRONICS CORPORATION. ALL RIGHTS RESERVED.

LOC	DIST	REVISIONS			
P	LTR	DESCRIPTION	DATE	DWN	APVD
1	-				
C		ADDED RIB, ECR-07-02275	05FEB2008	HY	GT
C1		ECR-16-008957	21JUN2016	KD	RR
C2		ECR-16-010726	29JUL2016	KD	RR
C3		ECR-16-012006	29AUG2016	KD	RR



- NOTES:
- ① CIRCUIT IDENTIFICATION NUMBERS 1 TO 7, BOTH SIDES
 - ② DATE CODE
 - ③ TRADEMARK
 - ④ MOULD CAVITY IDENTIFICATION
 - ⑤ TE - AMP P/N
 - ⑥ RAW MATERIAL CODE
 - ⑦ MATERIAL: PA6 UNFILLED NATURAL COLOR, ACCORDING TO IEC 60335-1 NORM
- 8) CONNECTOR HOUSING SUITABLE FOR MATING WITH:
 (PROPERLY CODED WITH RELEVANT APPLICATION MACHINE)
- AMP MONOSHAP Mark I TAB CONNECTOR, P/N 1-293004-7
 - AMP MULTIFITTING Mark I TAB CONNECTOR, P/N 0-928103-7
 - AMP MULTIFITTING Mark II TAB CONNECTOR, P/N 0-1241170-7
- 9) CAVITIES SUITABLE FOR .250" SERIES FAST-IN-ON TAB CONTACT ACCORDING TO NORM "DIN 46 343"
 MAX INS. DIA.: 2.8 mm; MAX INS. CRIMP WIDTH: 3.3 mm
- 10) HOOD TYP. THK.: 1.4 mm (EXCEPT AS PER SEC. Z-Z - DETAIL -)
- ① PRELIMINARY - NOT YET PRODUCTION

REV.	Tyco P/N
C	293015-1
C	1-293015-1



P/N 293015-1 AS SHOWN

THIS DRAWING IS A CONTROLLED DOCUMENT FOR TYCO ELECTRONICS CORPORATION. IT IS SUBJECT TO CHANGE AND THE CONTROLLING ENGINEERING ORGANIZATION SHOULD BE CONTACTED FOR THE LATEST REVISION.

DWN	U. AIME	23FEB2004	 TE Connectivity	NAME 7 POSITION TAB HOUSING FOR MOTOR MOUNTING
CHK	G. TURCO	23FEB2004		
APVD	G. TURCO	23FEB2004		
PRODUCT SPEC	108-20247			
APPLICATION SPEC	-		SIZE	A3
WEIGHT	-		CAGE CODE	00779
CUSTOMER DRAWING			DRAWING NO	G-293015
			RESTRICTED TO	-
			SCALE	1:1
			SHEET	1 OF 2
			REV	C3

4

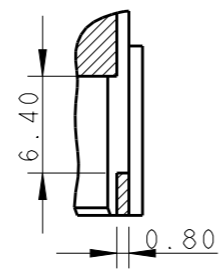
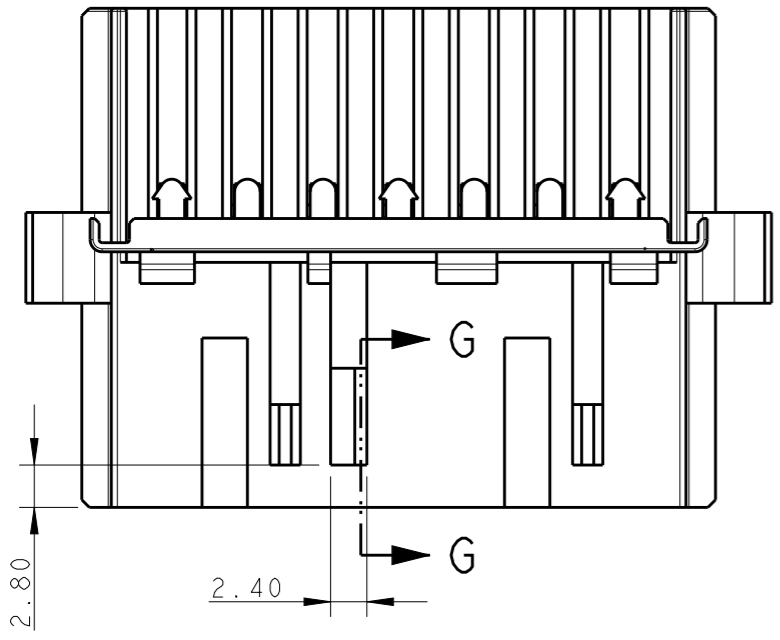
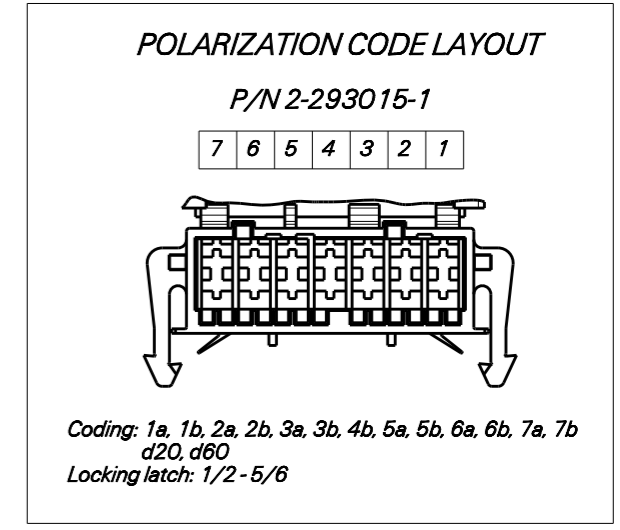
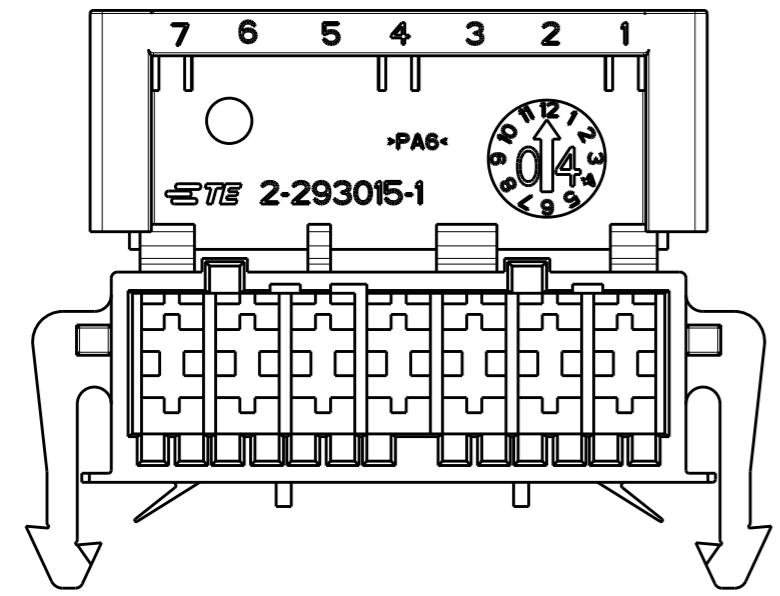
3

2

1

THIS DRAWING IS UNPUBLISHED. RELEASED FOR PUBLICATION 2003
 © COPYRIGHT 2003 BY TYCO ELECTRONICS CORPORATION. ALL RIGHTS RESERVED.

LOC	DIST	REVISIONS					
		P	LTR	DESCRIPTION	DATE	DWN	APVD
		-		SEE SHEET 1	-	-	-



SECTION G - G

P/N 2-293015-1 AS SHOWN
 ONLY FOR 2-293015-1
 OTHER DIMENSIONS NEED TO FOLLOW SHEET 1

REV.	TE P/N
C	2-293015-1

<small>THIS DRAWING IS A CONTROLLED DOCUMENT FOR TYCO ELECTRONICS CORPORATION. IT IS SUBJECT TO CHANGE AND THE CONTROLLING ENGINEERING ORGANIZATION SHOULD BE CONTACTED FOR THE LATEST REVISION.</small>		DWN U. AIME 23FEB2004 CHK G. TURCO 23FEB2004 APVD G. TURCO 23FEB2004		TE Connectivity	
DIMENSIONS: mm 		TOLERANCES UNLESS OTHERWISE SPECIFIED: 0 PLC ±- 1 PLC ±0.3 2 PLC ±- 3 PLC ±- 4 PLC ±- ANGLES ±1°			
MATERIAL SEE NOTE 		FINISH - WEIGHT -		SIZE A3 CAGE CODE 00779 DRAWING NO C-293015 RESTRICTED TO -	
CUSTOMER DRAWING				SCALE 2:1 SHEET 2 OF 2 REV C3	

X-ON Electronics

Largest Supplier of Electrical and Electronic Components

Click to view similar products for [Terminals](#) category:

Click to view products by [TE Connectivity](#) manufacturer:

Other Similar products are found below :

[00-054007-01074-6](#) [00-054007-70206-1](#) [00-054007-70210-8](#) [00-054007-70217-7](#) [00-054007-70226-9](#) [00-054007-70228-3](#) [00-054007-70248-1](#) [00-054007-70256-6](#) [00-054007-70301-3](#) [00-054007-70316-7](#) [00-054007-49560-4](#) [00-054007-70209-2](#) [00-054007-70225-2](#) [00-054007-70227-6](#) [00-054007-70231-3](#) [00-054007-70241-2](#) [00-054007-70242-9](#) [00-054007-70244-3](#) [00-054007-70246-7](#) [00-054007-70263-4](#) [00-054007-70288-7](#) [00-054007-70290-0](#) [00-054007-70300-6](#) [00-054007-70304-4](#) [01-2065-1-0216](#) [01-2900-1-04412](#) [00581P0075](#) [600TS-10](#) [60205-1](#) [604200-1](#) [605601-1](#) [60598-1-CUT-TAPE](#) [61314-6-C](#) [61810-3](#) [61-S](#) [61-SN](#) [626-0194](#) [62-NBM-A](#) [62-SN](#) [62-SP](#) [63-S](#) [640179-1](#) [M55155/059I03](#) [M55155/079C01](#) [M55155/099H02](#) [M55155/109H01](#) [M55155/109H02](#) [M55155/12XH05](#) [M55155/16XH02](#) [M55155/29-5S](#)