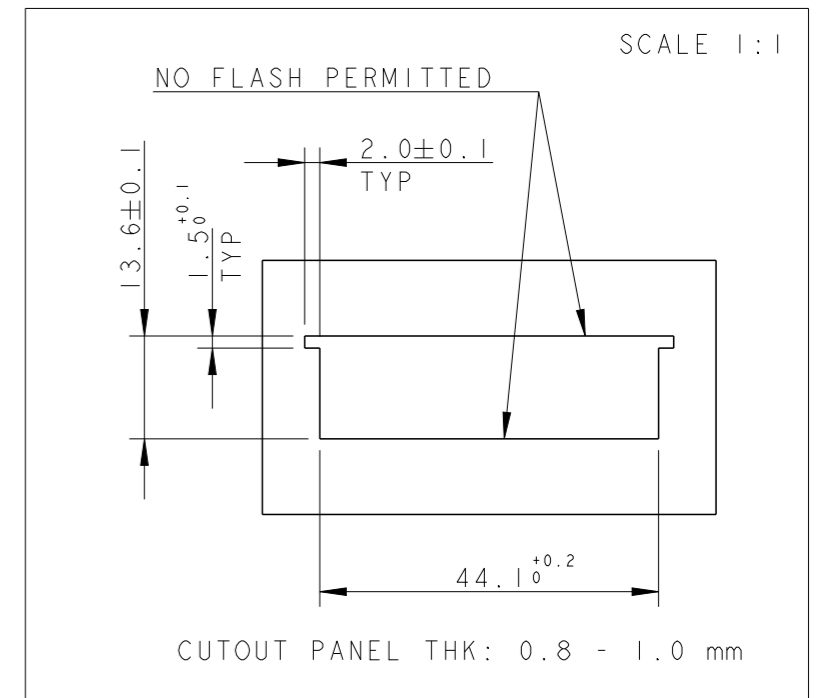
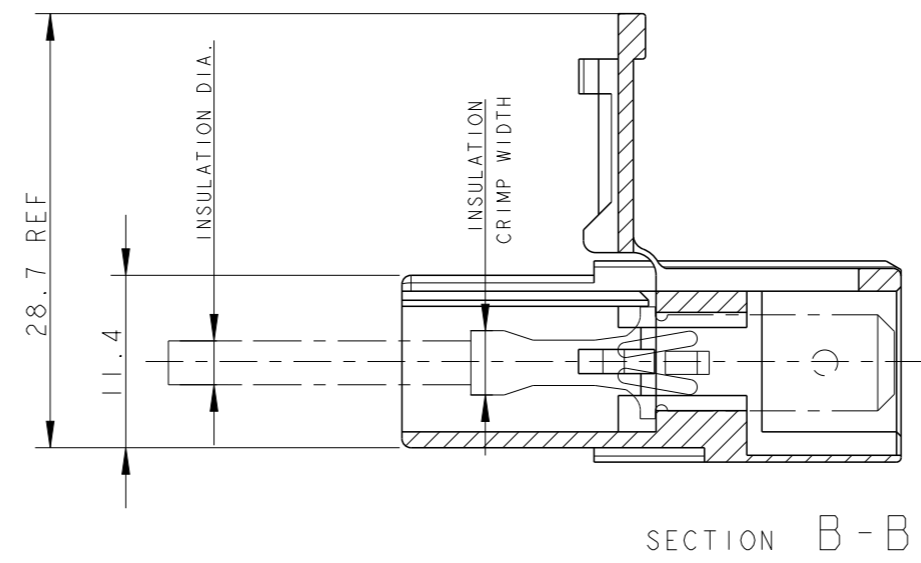
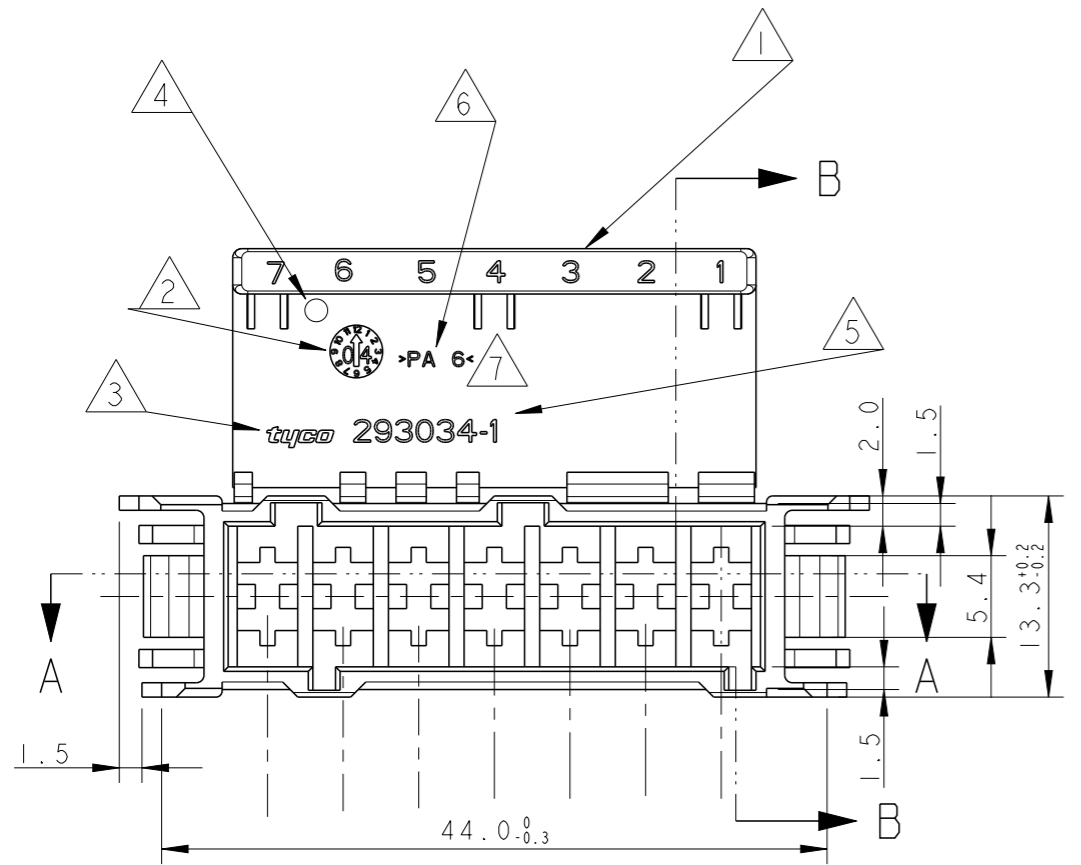


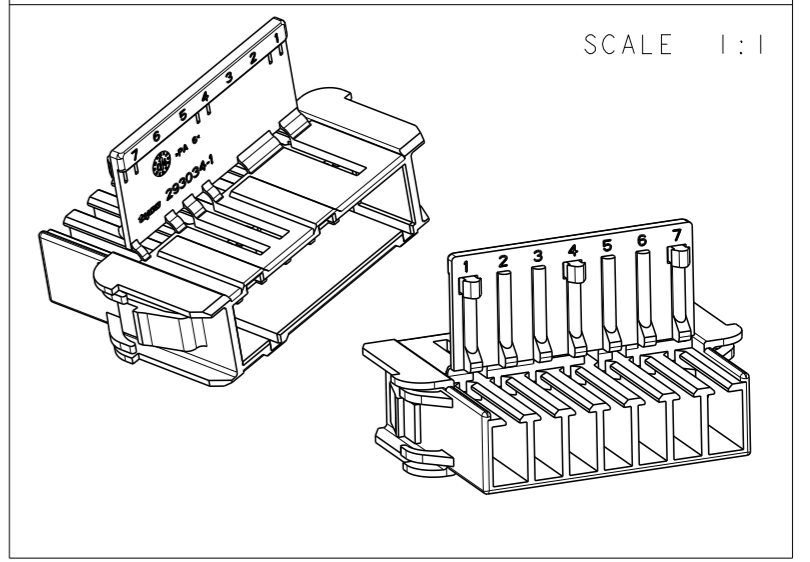
THIS DRAWING IS UNPUBLISHED. RELEASED FOR PUBLICATION 2004  
 © COPYRIGHT 2004 BY - ALL RIGHTS RESERVED.

REVISIONS					
P	LTR	DESCRIPTION	DATE	DWN	APVD
B		RELEASED, ECR-05-004319	24JUN2005	UA	GT
B1		ADDED DASH 3	9APR2008	HY	GT
B2		ECR-16-006049	29APR2016	KD	RR
B3		ECR-16-013131	19SEP2016	RS	LP

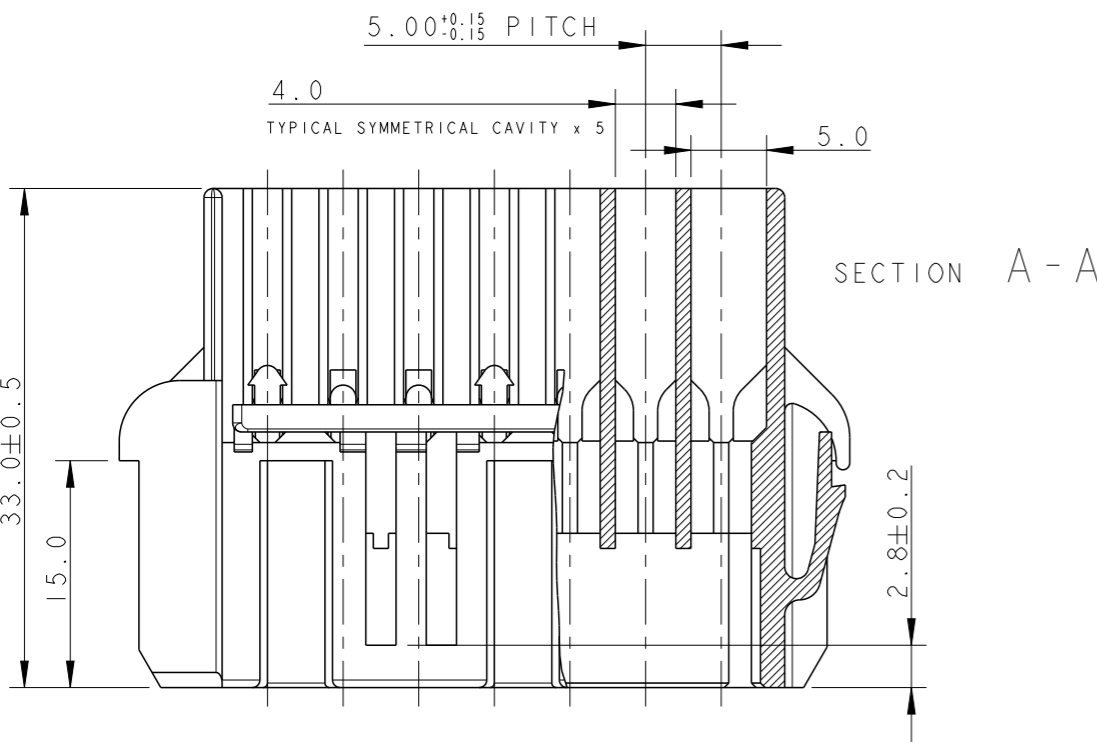


NOTES:

- ① CIRCUIT IDENTIFICATION NUMBERS 1 TO 7, BOTH SIDES
- ② DATE CODE
- ③ TYCO TRADEMARK
- ④ MOULD CAVITY IDENTIFICATION
- ⑤ TE - AMP P/N
- ⑥ RAW MATERIAL CODE
- ⑦ MATERIAL: PA6 UNFILLED UL 94-V2, NATURAL COLOR
- 8) CONNECTOR HOUSING SUITABLE FOR MATING WITH:  
 (PROPERLY CODED WITH RELEVANT APPLICATION MACHINE)  
 - AMP MONOSHAP Mark I TAB CONNECTOR, P/N 1-293004-7  
 - AMP MONOSHAP Mark II TAB CONNECTOR, P/N x-284477-2
- 9) CAVITIES SUITABLE FOR .250" SERIES FASTIN-ON TAB CONTACT  
 ACCORDING TO NORM "DIN 46 343"  
 MAX INS. DIA.: 2.8 mm; MAX INS. CRIMP WIDTH: 3.3 mm
- ⑩ MATERIAL: PA66 UNFILLED UL 94-V0, NATURAL COLOR
- ⑪ MATERIAL: PA66 UNFILLED UL 94-V0, GWT 750 NO FLAME, NATURAL COLOR
- ⑫ PRELIMINARY - NOT RELEASED FOR PRODUCTION



P/N 293034-1 AS SHOWN



MATERIAL	P/N	REV.
SEE NOTE 7	293034-1	B
SEE NOTE 11	293034-2 ⑫	I
SEE NOTE 10	293034-3	B

THIS DRAWING IS A CONTROLLED DOCUMENT.		DWN U. AIME 17MAY2004	TE Connectivity				
DIMENSIONS: mm		CHK C. TARTARI 17MAY2004					
TOLERANCES UNLESS OTHERWISE SPECIFIED:		APVD C. TARTARI 17MAY2004	NAME 7 POSITION FASTIN-FASTON TAB HOUSING, 5 mm PITCH (PANEL MOUNT VERSION)				
0 PLC ±- 1 PLC ±0.3 2 PLC ±- 3 PLC ±- 4 PLC ±- ANGLES ±1°		PRODUCT SPEC 108-20256					
MATERIAL SEE NOTE		FINISH -	APPLICATION SPEC -	SIZE A300779	CAGE CODE C-293034	DRAWING NO	RESTRICTED TO -
-		WEIGHT 8.9 g	CUSTOMER DRAWING	SCALE 2:1	SHEET 1 OF 1	REV B3	

## X-ON Electronics

Largest Supplier of Electrical and Electronic Components

*Click to view similar products for [Automotive Connectors](#) category:*

*Click to view products by [TE Connectivity](#) manufacturer:*

Other Similar products are found below :

[003-018-000](#) [60403001](#) [60993906-B](#) [M902-2131](#) [M902-2161](#) [72.330.1035.1](#) [73.353.4028.0](#) [F119300-B](#) [F166900](#) [F258300-B](#) [F358300-B](#)  
[F407400](#) [F444110](#) [F487000](#) [F509500B-B](#) [827153-1](#) [8N1515-32-24P](#) [9-1326729-8](#) [925474-1](#) [928905-1](#) [964562-4](#) [968782-1](#) [GT17SA-8DS-](#)  
[HU](#) [98891-1012](#) [98947-1016](#) [12004147](#) [12004475-L](#) [12010290](#) [12010309-B](#) [12015454](#) [12020219-B](#) [12020308](#) [12041318-B](#) [12052225-L](#)  
[12052466](#) [12059125](#) [12064869](#) [12004327-B](#) [12010503-B](#) [12015308](#) [12015384](#) [12015909](#) [1-21030-1](#) [12041254](#) [12041318](#) [12047946-B](#)  
[12047957](#) [12047957-L](#) [12059473](#) [12066261](#)