

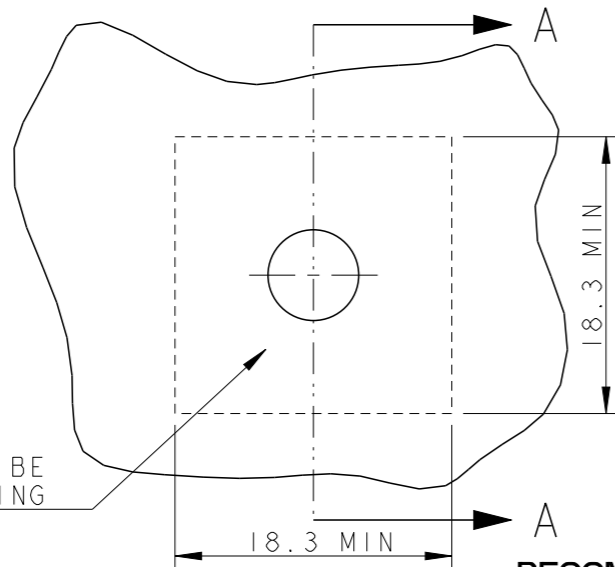
REVISIONS

P	LTR	DESCRIPTION	DATE	DWN	APVD
	AI	ECR-15-017072	23NOV2015	SS	RR

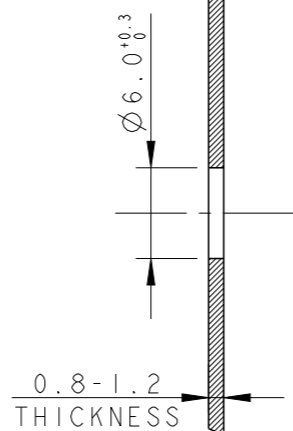
PANEL CUTOUT
 (HOLE DIMENSION)
 SCALE 2:1

NO BURRS ACCEPTED
 AROUND THE EDGES
 OF THE HOLES

FLAT AREA TO BE
 FREE FOR THE LOCKING

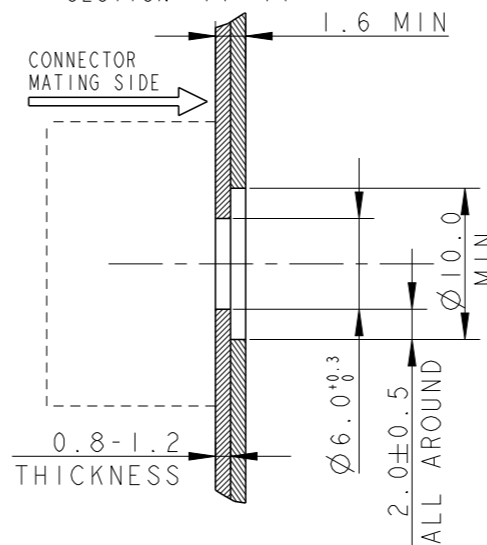


SECTION A - A



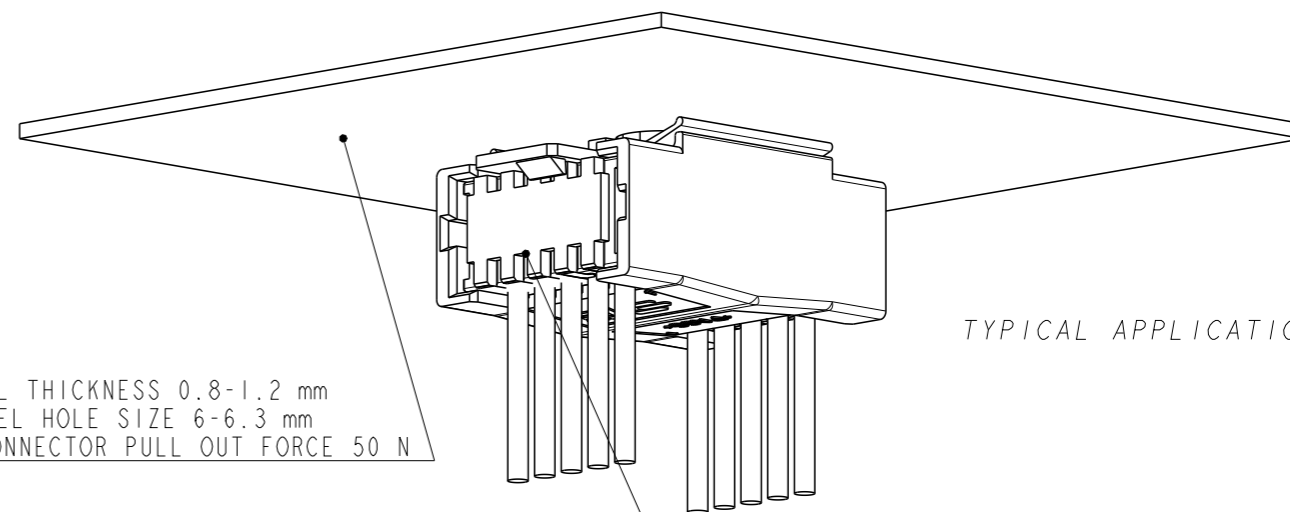
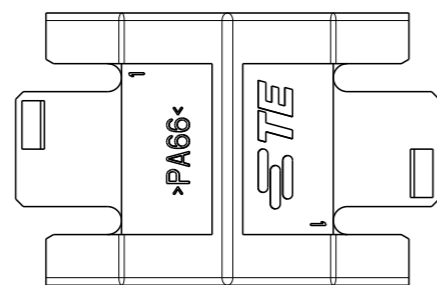
RECOMMENDED SOLUTION

SECTION A - A



ACCEPTABLE SOLUTION (OVERLAPPED PANEL)

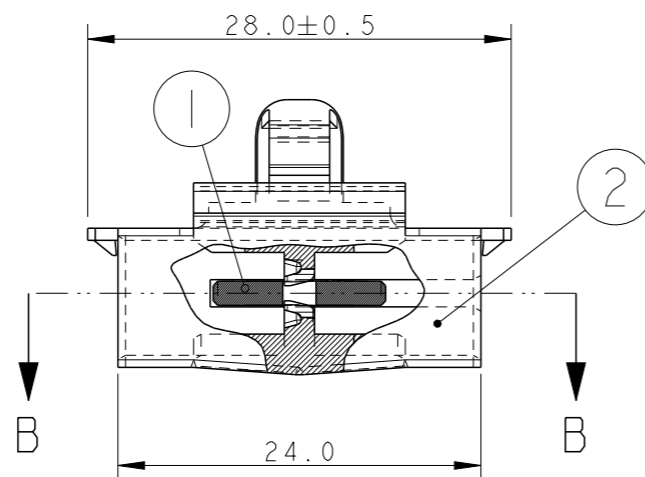
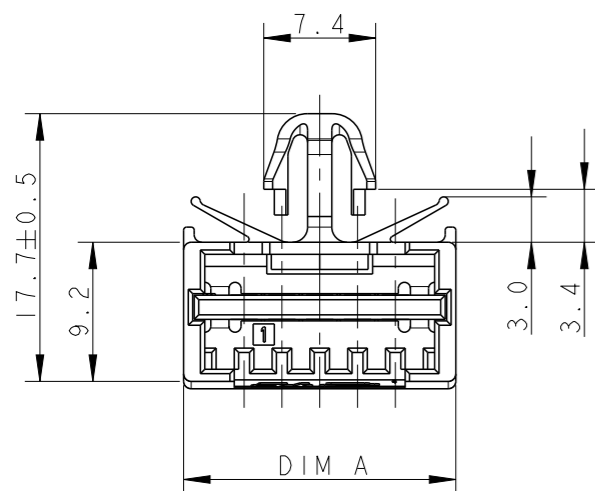
- 1 MATERIAL: POLYAMMIDE ACCORDING TO REQUIREMENT OF NORM IEC 60335-1 (GLOW WIRE TEST 750°C NO FLAME)
- 2 3 POS. - 4 POS. - 5 POS. STANDARD DUOPLUG FEMALE CONNECTOR 2.5mm PITCH. THE 3 POS. DUOPLUG MUST MATE WAY N° 2-3-4 OF THE MALE CONNECTOR (CENTERED).
- 3 PRELIMINARY PART. NOT YET RELEASED FOR PRODUCTION.



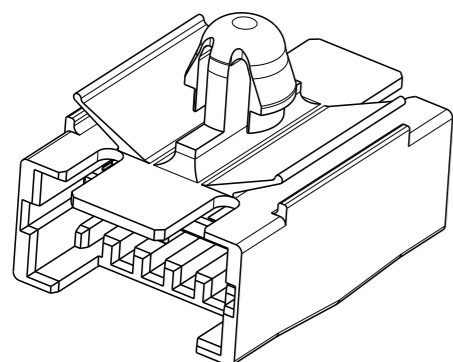
TYPICAL APPLICATION

PANEL THICKNESS 0.8-1.2 mm
 PANEL HOLE SIZE 6-6.3 mm
 MINIMUM CONNECTOR PULL OUT FORCE 50 N

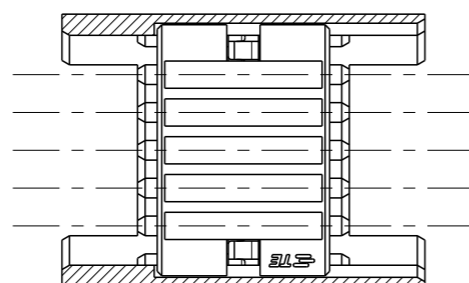
DUOPLUG FEMALE 2.5mm PITCH



25.50	8		EPOXY RESIN	1	8-293036-1	3
23.00	7		EPOXY RESIN	1	7-293036-1	3
18.00	5	2	EPOXY RESIN	1	293036-1	
DIM A	NO OF POSN.	DUOPLUG FEMALE MATING PART	1 P.C.B.	2 HOUSING	PART NUMBER	
			MATERIAL			



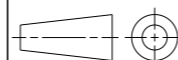
293036-1 AS SHOWN



SECTION B - B

THIS DRAWING IS A CONTROLLED DOCUMENT.

DIMENSIONS:
 mm



MATERIAL
 SEE TABLE

TOLERANCES UNLESS OTHERWISE SPECIFIED:

0 PLC	±0.5
1 PLC	±0.3
2 PLC	±
3 PLC	±
4 PLC	±
ANGLES	±1°
FINISH	-

DWN IIMAY2004

D. CHIARELLI

CHK IIMAY2004

G. TURCO

APVD IIMAY2004

G. TURCO

PRODUCT SPEC

-

APPLICATION SPEC

-

WEIGHT 2.74g REF.

NAME
 MALE CONNECTOR ASS'Y
 FOR DUOPLUG 2.5.

SIZE A3 CAGE CODE - DRAWING NO C-293036 RESTRICTED TO -

Customer Drawing SCALE 2:1 SHEET 1 OF 1 REV AI



X-ON Electronics

Largest Supplier of Electrical and Electronic Components

Click to view similar products for [Power to the Board](#) category:

Click to view products by [TE Connectivity](#) manufacturer:

Other Similar products are found below :

[6450171-4](#) [6450552-7](#) [6600323-8](#) [6643429-1](#) [6646040-2](#) [6651939-1](#) [6766604-1](#) [120959-1](#) [1393557-2](#) [1393532-2](#) [1393532-3](#) [1393532-4](#)
[1393557-1](#) [1600812-5](#) [1-6450861-2](#) [1744132-7](#) [1761122-1](#) [1766250-1](#) [1892109-1](#) [2-6450860-5](#) [2-6450870-0](#) [1-6450161-4](#) [1-6450850-6](#) [1-6450869-6](#) [1645526-2](#) [1-6600130-0](#) [2005243-2](#) [377-0020-11130](#) [TE34-12-16P-F0](#) [5-6450830-6](#) [5646956-4](#) [377-0080-11131A](#) [4-6450830-9](#)
[4-6600333-3](#) [10125416-4050LF](#) [6600320-3](#) [3-6450860-5](#) [1888123-2](#) [6450166-1](#) [6643978-1](#) [6766605-1](#) [701-15-02109](#) [N11444](#) [6651938-1](#)
[6450810-7](#) [46437-1112](#) [1-1589677-8](#) [5646956-5](#) [6450813-2](#) [6450129-4](#)