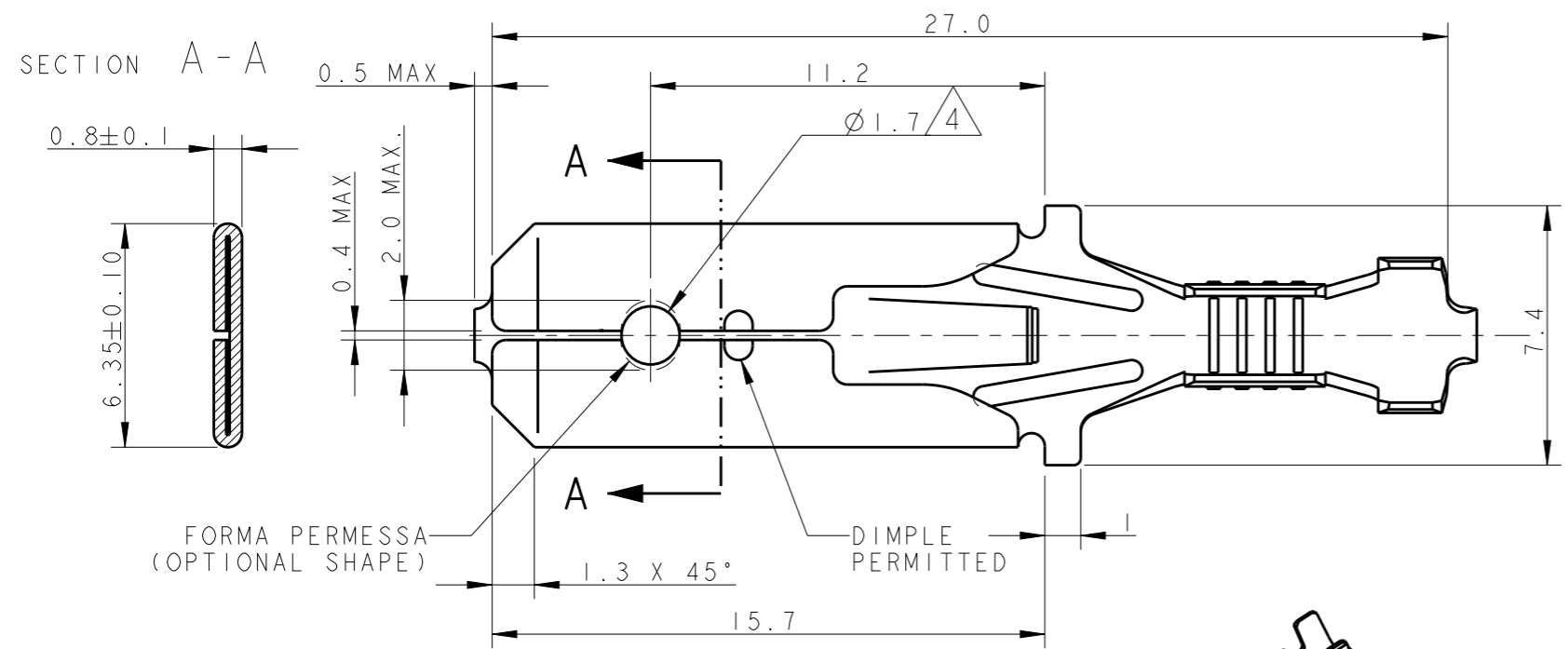
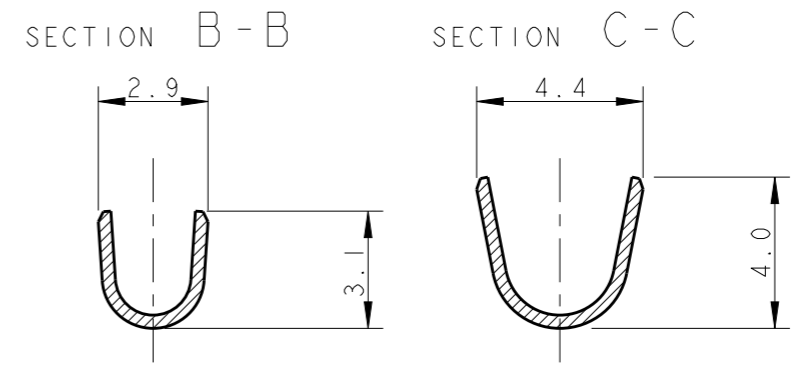
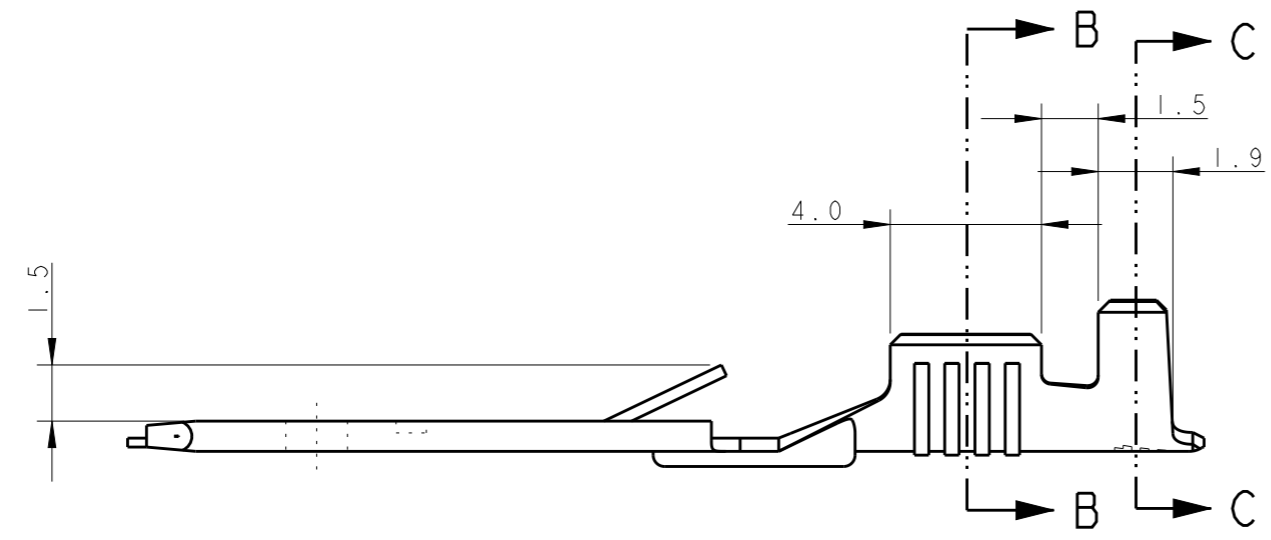
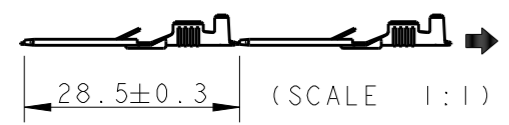


THIS DRAWING IS UNPUBLISHED. RELEASED FOR PUBLICATION 2004
 © COPYRIGHT 2004 ALL RIGHTS RESERVED.

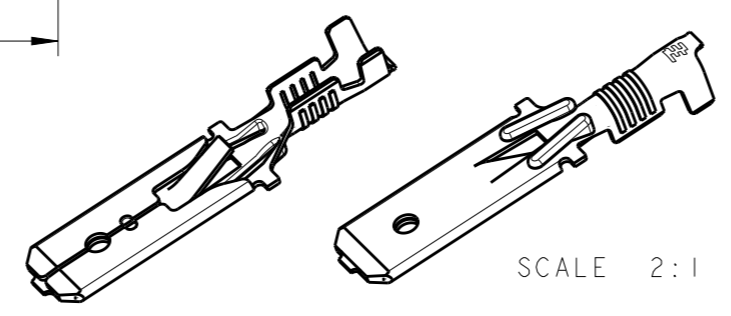
LOC	DIST	REVISIONS					
		P	LTR	DESCRIPTION	DATE	DWN	APVD
1	-		B3	REVISED PER ECO-11-005301	28MAR2011	RK	HMR
			B4	NEW PNs WITHOUT INTERLEAVE ADDED	20MAY2013	PKS	RRP
			C	PLATING INFO CORRECTED FOR 3- -2	17JUN2013	PKS	RRP
			C1	NEW PNs WITH NEW Q'TY ADDED	08APR2018	DT	TD



1) STATO DI FORNITURA (SUPPLY CONDITION, Scala 1:1)



SENSO DI USCITA DEL TERMINALE DALLA BOBINA (DIRECTION OFF TOP OF REEL)



2) BOBINATO SU BOBINA 12" CON CARTA INTERPOSTA (REELED ON 12" CARTON TYPE REEL WITH INTERLEAVE PAPER STRIP)

3) SPLICING STRIP PRODUCT BY SPOT WELDING PERMITTED

- 4 VERSIONI CON FORO (VERSION WITH HOLE)
- 5 REELED WITHOUT INTERLEAVE PAPER
- 6 NEW PNs WITH NEW Q'TY ADDED

NOTE (NOTES)	VERSIONI (VERSIONS)	FINITURA (FINISH)	MATERIALE (MATERIAL)	NUMERO (TE P/N)
		PRE-STAGNATO (PRE-TINNED)	OTTONE (BRASS)	3-293041-2
		NUDO (PLAIN)	OTTONE (BRASS)	3-293041-1
		PRE-STAGNATO (PRE-TINNED)	OTTONE (BRASS)	2-293041-2
		NUDO (PLAIN)	OTTONE (BRASS)	2-293041-1
6		PRE-STAGNATO (PRE-TINNED)	OTTONE (BRASS)	7-293041-2
		PRE-STAGNATO (PRE-TINNED)	OTTONE (BRASS)	1-293041-2
		NUDO (PLAIN)	OTTONE (BRASS)	1-293041-1
6		PRE-STAGNATO (PRE-TINNED)	OTTONE (BRASS)	6-293041-2
6		NUDO (PLAIN)	OTTONE (BRASS)	6-293041-1
		PRE-STAGNATO (PRE-TINNED)	OTTONE (BRASS)	0-293041-2
		NUDO (PLAIN)	OTTONE (BRASS)	0-293041-1

THIS DRAWING IS A CONTROLLED DOCUMENT. DWN 04 JUL 2005 H. Yaali

CHK G. Turco

APVD

PRODUCT SPEC 108-20020

APPLICATION SPEC 114-20119

WEIGHT

Customer Drawing

STE TE Connectivity

NAME FASTIN-FASTON Connector, 6.3 mm SR. TAB CONTACT

SIZE A3 CAGE CODE 00779 DRAWING NO C-293041 RESTRICTED TO

SCALE 5:1 SHEET 1 OF 1 REV C1

DIAM. ISOLANTE (INS. DIA. RANGE)	0 PLC ±0.3
Ø 2.3 mm MAX	1 PLC ±
	2 PLC ±
	3 PLC ±
	4 PLC ±
	ANGLES ±2°
RANGO FILO (WIRE RANGE)	FINISH SEE TABLE
0.35-1.00 mm ²	

X-ON Electronics

Largest Supplier of Electrical and Electronic Components

Click to view similar products for [Terminals](#) category:

Click to view products by [TE Connectivity](#) manufacturer:

Other Similar products are found below :

[00-054007-01074-6](#) [00-054007-70206-1](#) [00-054007-70210-8](#) [00-054007-70217-7](#) [00-054007-70226-9](#) [00-054007-70228-3](#) [00-054007-70248-1](#) [00-054007-70256-6](#) [00-054007-70301-3](#) [00-054007-70316-7](#) [00-054007-49560-4](#) [00-054007-70209-2](#) [00-054007-70225-2](#) [00-054007-70227-6](#) [00-054007-70231-3](#) [00-054007-70241-2](#) [00-054007-70242-9](#) [00-054007-70244-3](#) [00-054007-70246-7](#) [00-054007-70263-4](#) [00-054007-70288-7](#) [00-054007-70290-0](#) [00-054007-70300-6](#) [00-054007-70304-4](#) [01-2065-1-0216](#) [01-2900-1-04412](#) [00581P0075](#) [600TS-10](#) [60205-1](#) [604200-1](#) [605601-1](#) [60598-1-CUT-TAPE](#) [61314-6-C](#) [61810-3](#) [61-S](#) [61-SN](#) [626-0194](#) [62-NBM-A](#) [62-SN](#) [62-SP](#) [63-S](#) [640179-1](#) [M55155/059I03](#) [M55155/079C01](#) [M55155/099H02](#) [M55155/109H01](#) [M55155/109H02](#) [M55155/12XH05](#) [M55155/16XH02](#) [M55155/29-5S](#)