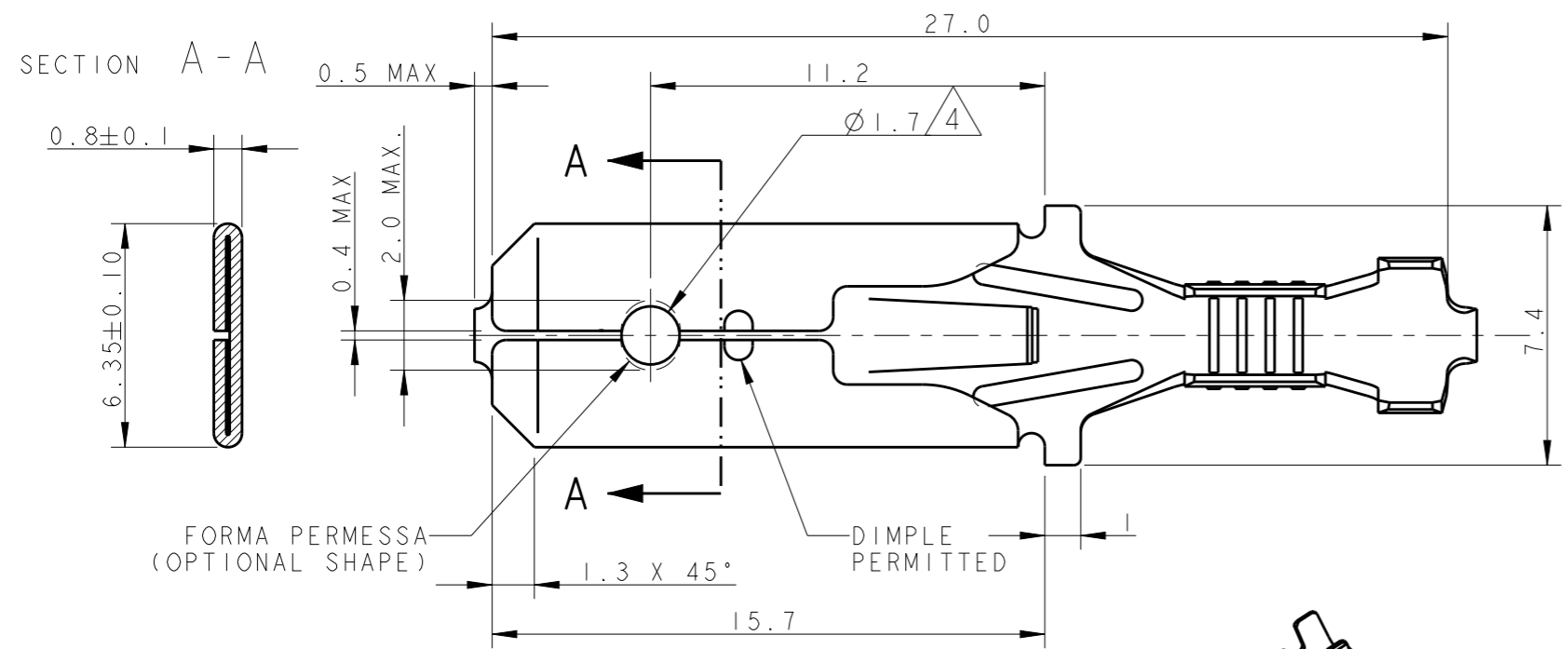
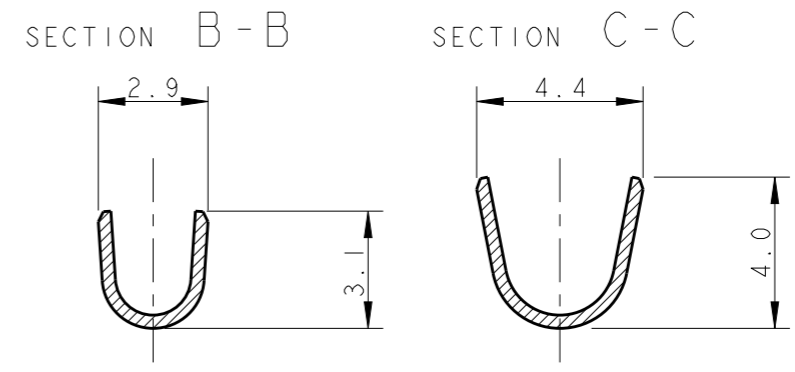
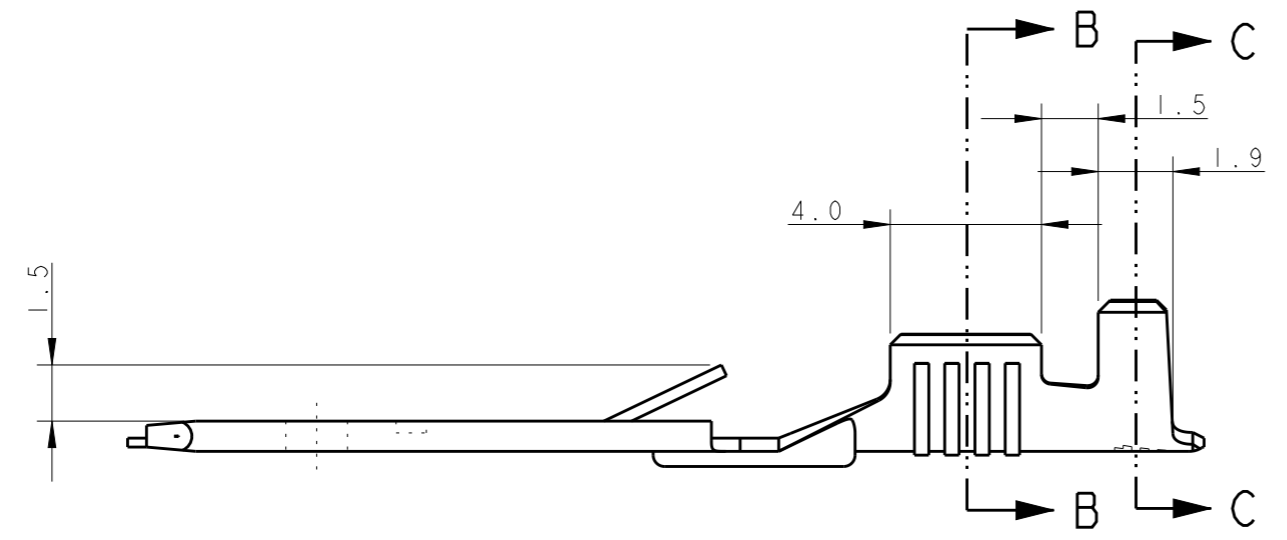
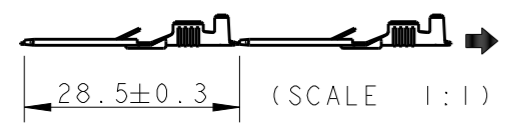


LOC	DIST	REVISIONS			
P	LTR	DESCRIPTION	DATE	DWN	APVD
B3		REVISED PER ECO-11-005301	28MAR2011	RK	HMR
B4		NEW PNs WITHOUT INTERLEAVE ADDED	20MAY2013	PKS	RRP
C		PLATING INFO CORRECTED FOR 3- -2	17JUN2013	PKS	RRP
C1		NEW PNs WITH NEW Q'TY ADDED	08APR2018	DT	TD

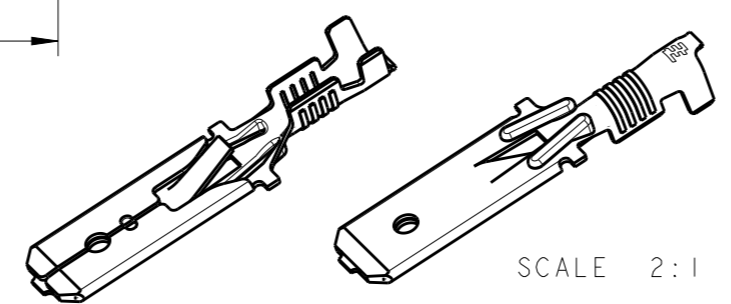


NOTE (NOTES)	VERSIONI (VERSIONS)	FINITURA (FINISH)	MATERIALE (MATERIAL)	NUMERO (TE P/N)
		PRE-STAGNATO (PRE-TINNED)	OTTONE (BRASS)	3-293041-2
		NUDO (PLAIN)	OTTONE (BRASS)	3-293041-1
		PRE-STAGNATO (PRE-TINNED)	OTTONE (BRASS)	2-293041-2
		NUDO (PLAIN)	OTTONE (BRASS)	2-293041-1
		PRE-STAGNATO (PRE-TINNED)	OTTONE (BRASS)	7-293041-2
		PRE-STAGNATO (PRE-TINNED)	OTTONE (BRASS)	1-293041-2
		NUDO (PLAIN)	OTTONE (BRASS)	1-293041-1
		PRE-STAGNATO (PRE-TINNED)	OTTONE (BRASS)	6-293041-2
		NUDO (PLAIN)	OTTONE (BRASS)	6-293041-1
		PRE-STAGNATO (PRE-TINNED)	OTTONE (BRASS)	0-293041-2
		NUDO (PLAIN)	OTTONE (BRASS)	0-293041-1

1) STATO DI FORNITURA (SUPPLY CONDITION, Scala 1:1)



SENZO DI USCITA DEL TERMINALE DALLA BOBINA (DIRECTION OFF TOP OF REEL)



- 2) BOBINATO SU BOBINA 12" CON CARTA INTERPOSTA (REELED ON 12" CARTON TYPE REEL WITH INTERLEAVE PAPER STRIP)
- 3) SPLICING STRIP PRODUCT BY SPOT WELDING PERMITTED

- VERSIONI CON FORO (VERSION WITH HOLE)
- REELED WITHOUT INTERLEAVE PAPER
- NEW PNs WITH NEW Q'TY ADDED

THIS DRAWING IS A CONTROLLED DOCUMENT.

DWN 04 JUL 2005 H. Yaali

CHK G. Turco

APVD

PRODUCT SPEC 108-20020

APPLICATION SPEC 114-20119

WEIGHT

Customer Drawing

STE TE Connectivity

NAME FASTIN-FASTON Connector, 6.3 mm SR. TAB CONTACT

SIZE A3 CAGE CODE 00779 DRAWING NO. C-293041 RESTRICTED TO

SCALE 5:1 SHEET 1 OF 1 REV C1

DIMENSIONS: mm	TOLERANCES UNLESS OTHERWISE SPECIFIED:
	0 PLC ±0.3
	1 PLC ±
	2 PLC ±
	3 PLC ±
	4 PLC ±
	ANGLES ±2°
DIAM. ISOLANTE (INS. DIA. RANGE) Ø 2.3 mm MAX	
RANGO FILO (WIRE RANGE) 0.35-1.00 mm ²	
MATERIAL SEE TABLE	FINISH SEE TABLE

X-ON Electronics

Largest Supplier of Electrical and Electronic Components

Click to view similar products for [Terminals](#) category:

Click to view products by [TE Connectivity](#) manufacturer:

Other Similar products are found below :

[00-054007-01074-6](#) [00-054007-70206-1](#) [00-054007-70210-8](#) [00-054007-70217-7](#) [00-054007-70226-9](#) [00-054007-70228-3](#) [00-054007-70248-1](#) [00-054007-70256-6](#) [00-054007-70301-3](#) [00-054007-70316-7](#) [00-054007-49560-4](#) [00-054007-70209-2](#) [00-054007-70225-2](#) [00-054007-70227-6](#) [00-054007-70231-3](#) [00-054007-70241-2](#) [00-054007-70242-9](#) [00-054007-70244-3](#) [00-054007-70246-7](#) [00-054007-70263-4](#) [00-054007-70288-7](#) [00-054007-70290-0](#) [00-054007-70300-6](#) [00-054007-70304-4](#) [01-2065-1-0216](#) [01-2900-1-04412](#) [00581P0075](#) [600TS-10](#) [60205-1](#) [604200-1](#) [605601-1](#) [60598-1-CUT-TAPE](#) [61314-6-C](#) [61810-3](#) [61-S](#) [61-SN](#) [626-0194](#) [62-NBM-A](#) [62-SN](#) [62-SP](#) [63-S](#) [640179-1](#) [M55155/059I03](#) [M55155/079C01](#) [M55155/099H02](#) [M55155/109H01](#) [M55155/109H02](#) [M55155/12XH05](#) [M55155/16XH02](#) [M55155/29-5S](#)