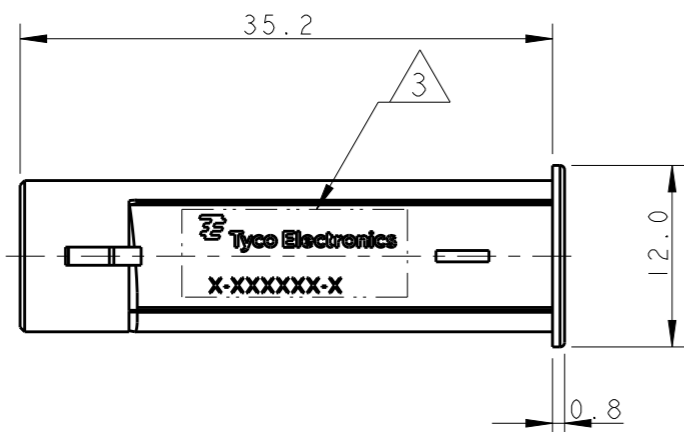


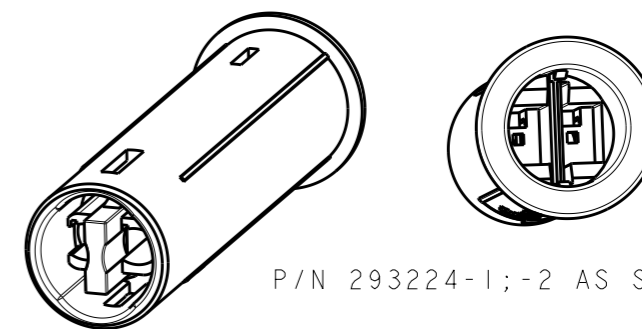
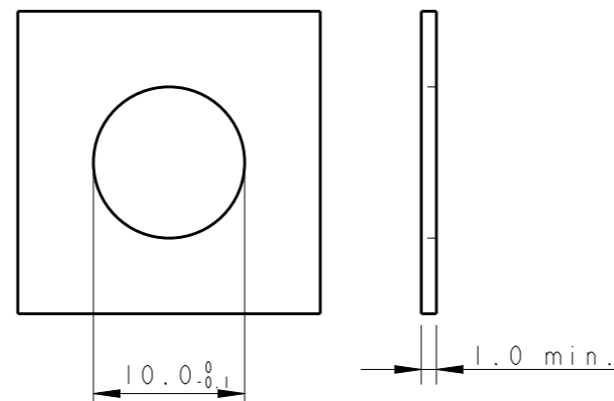
THIS DRAWING IS UNPUBLISHED. RELEASED FOR PUBLICATION 2005
© COPYRIGHT 2005 BY - ALL RIGHTS RESERVED.

REVISIONS

| P | LTR | DESCRIPTION | DATE | DWN | APVD |
|----|-----|---------------------------|-----------|-----|------|
| C1 | | ADDED PANEL LAYOUT | 08APR2008 | AV | GT |
| C2 | | MODIFIED | 02FEB2010 | AV | GT |
| C3 | | REVISED PER ECR-16-005692 | 31MAY2016 | RS | JL |
| D | | ECR-16-017348 | 24FEB2017 | RK | JL |

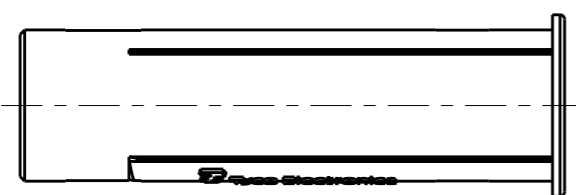
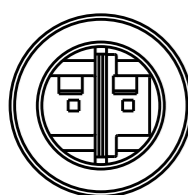


PANEL LAYOUT CONFIGURATION

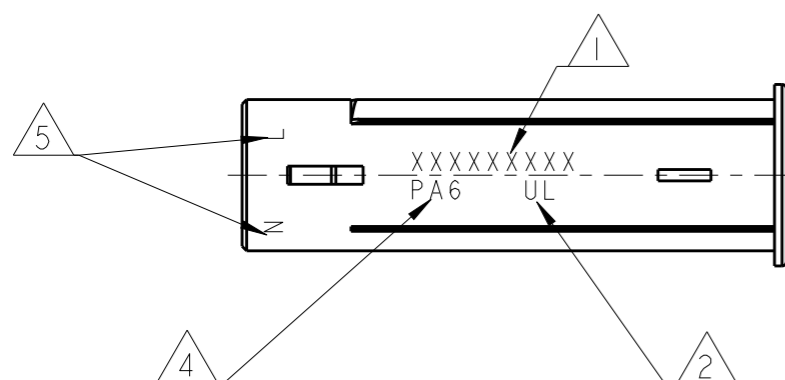


P/N 293224-1;-2 AS SHOWN

KEYING HV-4



- 1 KEYING DEPENDENT MARKING (SEE TABLE)
- 2 INSERT FOR UL, LOGO DESIGN BUT NOT EXECUTE
- 3 PART MARKING
-Tyco Electronics Product Identifier
Date Code
Part number
- 4 RAW MATERIAL IDENTIFICATION
PA6 or PBT GF15%
- 5 WAY IDENTIFICATION



| | | | | | |
|--|------|---------------------|----------------|-------|----------|
| | LV-2 | LOW-VOLT 125VAC/VDC | 7A 125VAC/VDC= | BLACK | 293224-6 |
| | LV-2 | LOW-VOLT 125VAC/VDC | 7A 125VAC/VDC= | WHITE | 293224-5 |
| | HV-4 | HIGH-VOLT 250 Vac | 2.5A/250Vac | BLACK | 293224-2 |
| | HV-4 | HIGH-VOLT 250 Vac | 2.5A/250Vac | WHITE | 293224-1 |

| NOTE | KEYING | REMARKS | MARKING | COLOR | P/N |
|------|--------|---------|---------|-------|-----|
| | | | 1 | | |

THIS DRAWING IS A CONTROLLED DOCUMENT.

DWN 27JUN2006
A. Vecchia
CHK 27JUN2006
G. Turco
APVD -



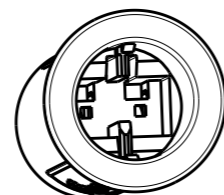
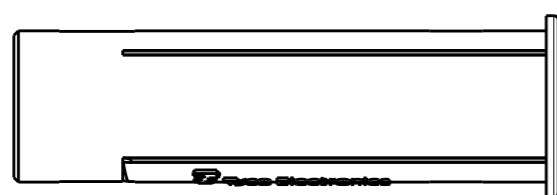
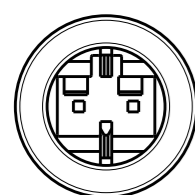
NAME HOUSING PANEL OUTLET

| DIMENSIONS: | TOLERANCES UNLESS OTHERWISE SPECIFIED: |
|-------------|--|
| mm | |
| 0 PLC | ± |
| 1 PLC | ±0.3 |
| 2 PLC | ± |
| 3 PLC | ± |
| 4 PLC | ± |
| ANGLES | ± |
| MATERIAL | FINISH |

PRODUCT SPEC
APPLICATION SPEC
WEIGHT

| SIZE | CAGE CODE | DRAWING NO | RESTRICTED TO |
|------|-----------|------------|---------------|
| A3 | 00779 | C-293224 | - |

P/N 293224-5;-6 AS SHOWN
KEYING LV-2



CUSTOMER DRAWING SCALE 2:1 SHEET 1 OF 1 REV D

X-ON Electronics

Largest Supplier of Electrical and Electronic Components

Click to view similar products for [Lighting Connectors](#) category:

Click to view products by [TE Connectivity](#) manufacturer:

Other Similar products are found below :

[21061-9](#) [293300-7](#) [2106117-2](#) [293660-5](#) [293700-2](#) [CNX_H03_NTP](#) [30-9767-BU](#) [3-21030-1](#) [ZCH-110-RGB-I](#) [503471-0290](#) [ES5P09K4F2](#)
[CNXH02NTP](#) [ZCH-110-RGB-J](#) [217-0716-200](#) [192992-0057](#) [1954563-1](#) [217-3030-000](#) [217-3032-000](#) [237-0734-003](#) [1-2213614-2](#) [2834049-](#)
[3](#) [ES9S002SZZ](#) [2834049-2](#) [2-2834067-3](#) [1-293657-2](#) [2834049-1](#) [1-2213614-3](#) [2834036-1](#) [2834037-1](#) [2213614-3](#) [2307526-2](#) [2-2106124-3](#)
[2-2834068-3](#) [FLS2SC4001BP](#) [FLSC80352000](#) [FLSC80354000](#) [FLSC80353000](#) [FLSSB8002](#) [FLSSB8001](#) [FLSC80351000](#) [FLSC80355000](#)
[FLSSB4001](#) [FLSC80504000](#) [FLSC80502000](#) [FLSC80501000](#) [FLSSR4001](#) [FLSC80505000](#) [FLSC80503000](#) [FLA-R4142-30](#) [FLA-R4141-30](#)