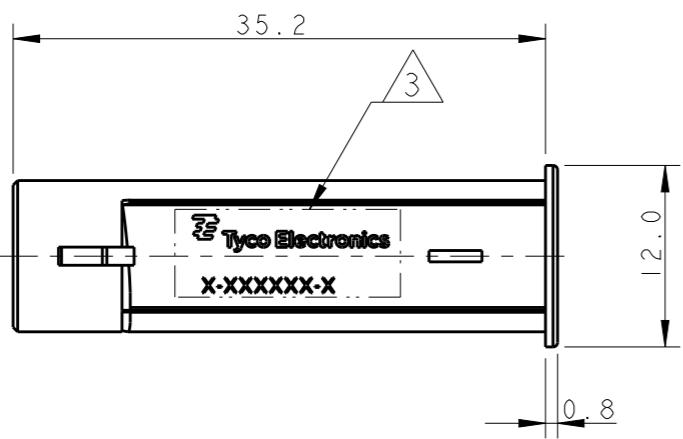


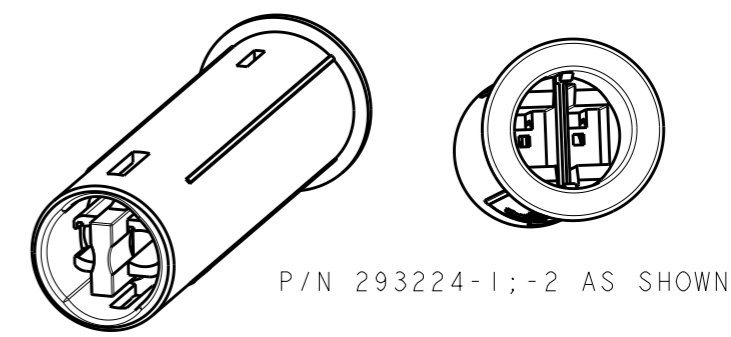
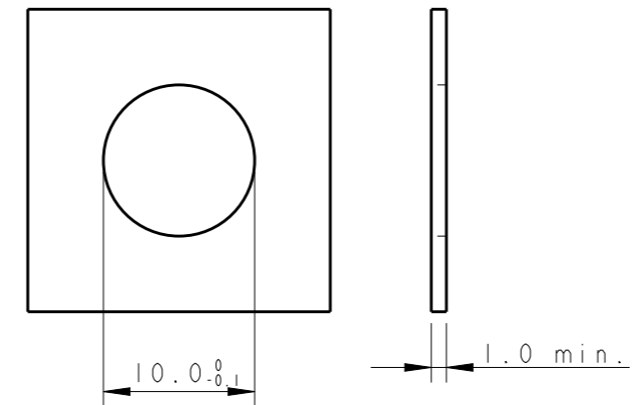
THIS DRAWING IS UNPUBLISHED. RELEASED FOR PUBLICATION 2005  
 © COPYRIGHT 2005 BY - ALL RIGHTS RESERVED.

REVISIONS

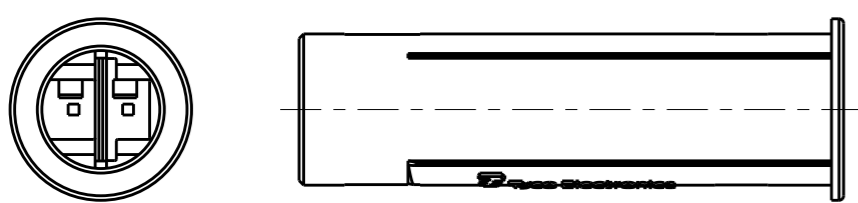
P	LTR	DESCRIPTION	DATE	DWN	APVD
C1		ADDED PANEL LAYOUT	08APR2008	AV	GT
C2		MODIFIED	02FEB2010	AV	GT
C3		REVISED PER ECR-16-005692	31MAY2016	RS	JL
D		ECR-16-017348	24FEB2017	RK	JL



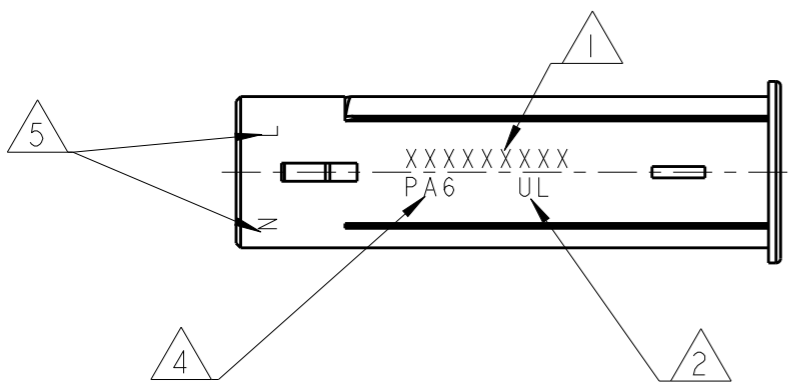
PANEL LAYOUT CONFIGURATION



KEYING HV-4



- 1 KEYING DEPENDENT MARKING (SEE TABLE)
- 2 INSERT FOR UL, LOGO DESIGN BUT NOT EXECUTE
- 3 PART MARKING  
-Tyco Electronics Product Identifier  
Date Code  
Part number
- 4 RAW MATERIAL IDENTIFICATION  
PA6 or PBT GF15%
- 5 WAY IDENTIFICATION



	LV-2	LOW-VOLT 125VAC/VDC	7A 125VAC/VDC=	BLACK	293224-6
	LV-2	LOW-VOLT 125VAC/VDC	7A 125VAC/VDC=	WHITE	293224-5
	HV-4	HIGH-VOLT 250 Vac	2.5A/250Vac	BLACK	293224-2
	HV-4	HIGH-VOLT 250 Vac	2.5A/250Vac	WHITE	293224-1

NOTE	KEYING	REMARKS	MARKING	COLOR	P/N
			1		

THIS DRAWING IS A CONTROLLED DOCUMENT.

DWN 27JUN2006  
A. Vecchia  
CHK 27JUN2006  
G. Turco  
APVD -



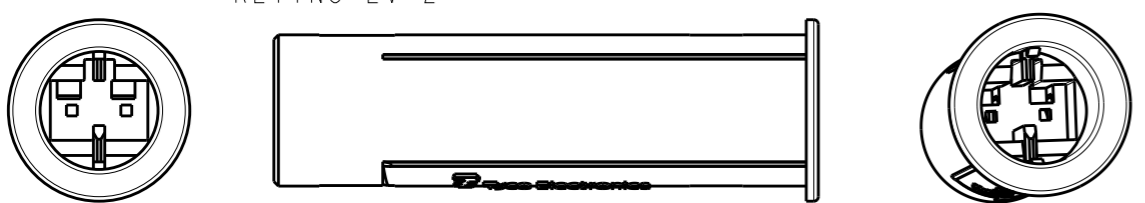
NAME HOUSING PANEL OUTLET

DIMENSIONS:	TOLERANCES UNLESS OTHERWISE SPECIFIED:
mm	
	0 PLC ±
	1 PLC ±0.3
	2 PLC ±
	3 PLC ±
	4 PLC ±
	ANGLES ±
MATERIAL	FINISH

PRODUCT SPEC
APPLICATION SPEC
WEIGHT
CUSTOMER DRAWING

SIZE	CAGE CODE	DRAWING NO	RESTRICTED TO
A3	00779	C-293224	-
SCALE	2:1	SHEET 1 OF 1	REV D

P/N 293224-5;-6 AS SHOWN  
KEYING LV-2



## X-ON Electronics

Largest Supplier of Electrical and Electronic Components

*Click to view similar products for [Lighting Connectors](#) category:*

*Click to view products by [TE Connectivity](#) manufacturer:*

Other Similar products are found below :

[21061-9](#) [293300-7](#) [2106117-2](#) [293660-5](#) [293700-2](#) [CNX\\_H03\\_NTP](#) [30-9767-BU](#) [3-21030-1](#) [ZCH-110-RGB-I](#) [503471-0290](#) [ES5P09K4F2](#)  
[CNXH02NTP](#) [ZCH-110-RGB-J](#) [217-0716-200](#) [192992-0057](#) [1954563-1](#) [217-3030-000](#) [217-3032-000](#) [237-0734-003](#) [1-2213614-2](#) [2834049-](#)  
[3](#) [ES9S002SZZ](#) [2834049-2](#) [2-2834067-3](#) [1-293657-2](#) [2834049-1](#) [1-2213614-3](#) [2834036-1](#) [2834037-1](#) [2213614-3](#) [2307526-2](#) [2-2106124-3](#)  
[2-2834068-3](#) [FLS2SC4001BP](#) [FLSC80352000](#) [FLSC80354000](#) [FLSC80353000](#) [FLSSB8002](#) [FLSSB8001](#) [FLSC80351000](#) [FLSC80355000](#)  
[FLSSB4001](#) [FLSC80504000](#) [FLSC80502000](#) [FLSC80501000](#) [FLSSR4001](#) [FLSC80505000](#) [FLSC80503000](#) [FLA-R4142-30](#) [FLA-R4141-30](#)