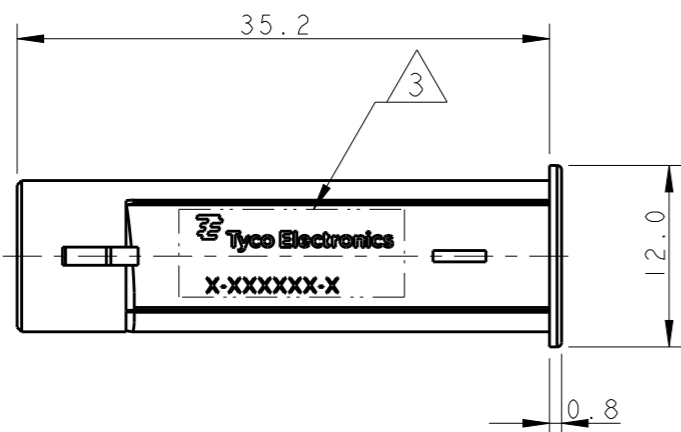


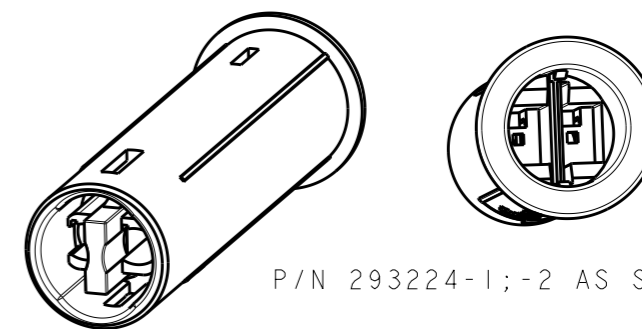
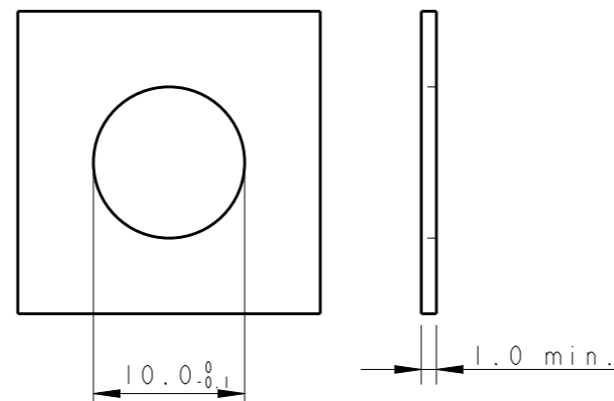
THIS DRAWING IS UNPUBLISHED. RELEASED FOR PUBLICATION 2005  
 © COPYRIGHT 2005 BY - ALL RIGHTS RESERVED.

REVISIONS

P	LTR	DESCRIPTION	DATE	DWN	APVD
C1		ADDED PANEL LAYOUT	08APR2008	AV	GT
C2		MODIFIED	02FEB2010	AV	GT
C3		REVISED PER ECR-16-005692	31MAY2016	RS	JL
D		ECR-16-017348	24FEB2017	RK	JL

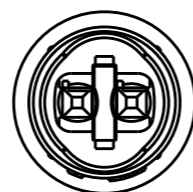
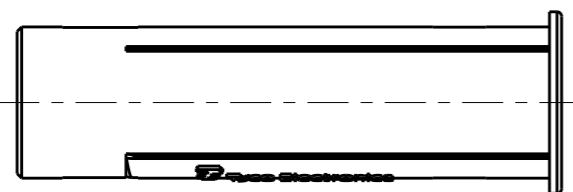
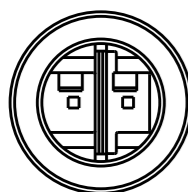


PANEL LAYOUT CONFIGURATION

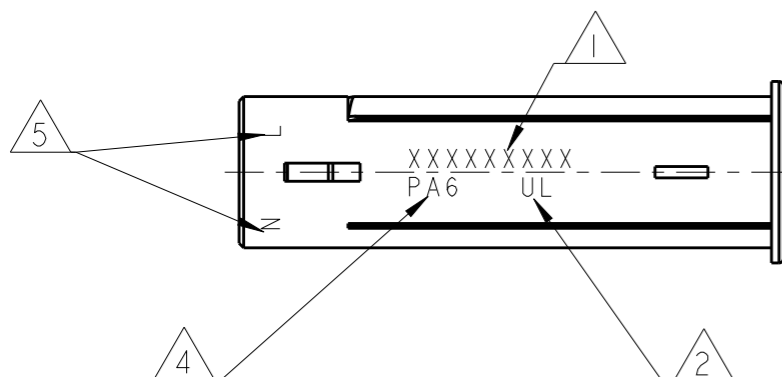


P/N 293224-1;-2 AS SHOWN

KEYING HV-4



- 1 KEYING DEPENDENT MARKING (SEE TABLE)
- 2 INSERT FOR UL, LOGO DESIGN BUT NOT EXECUTE
- 3 PART MARKING  
-Tyco Electronics Product Identifier  
Date Code  
Part number
- 4 RAW MATERIAL IDENTIFICATION  
PA6 or PBT GF15%
- 5 WAY IDENTIFICATION



	LV-2	LOW-VOLT 125VAC/VDC	7A 125VAC/VDC=	BLACK	293224-6
	LV-2	LOW-VOLT 125VAC/VDC	7A 125VAC/VDC=	WHITE	293224-5
	HV-4	HIGH-VOLT 250 Vac	2.5A/250Vac	BLACK	293224-2
	HV-4	HIGH-VOLT 250 Vac	2.5A/250Vac	WHITE	293224-1
NOTE	KEYING	REMARKS	MARKING 1	COLOR	P/N

THIS DRAWING IS A CONTROLLED DOCUMENT.

DWN 27JUN2006  
A. Vecchia  
CHK 27JUN2006  
G. Turco  
APVD -



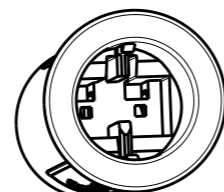
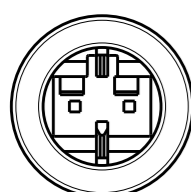
NAME HOUSING PANEL OUTLET

DIMENSIONS:	TOLERANCES UNLESS OTHERWISE SPECIFIED:
mm	
	0 PLC ±
	1 PLC ±0.3
	2 PLC ±
	3 PLC ±
	4 PLC ±
	ANGLES ±
MATERIAL	FINISH

PRODUCT SPEC  
APPLICATION SPEC  
WEIGHT  
CUSTOMER DRAWING

SIZE	CAGE CODE	DRAWING NO	RESTRICTED TO
A3	00779	C-293224	-
SCALE	SHEET	OF	REV
2:1	1	1	D

P/N 293224-5;-6 AS SHOWN  
KEYING LV-2



## X-ON Electronics

Largest Supplier of Electrical and Electronic Components

*Click to view similar products for [Lighting Connectors](#) category:*

*Click to view products by [TE Connectivity](#) manufacturer:*

Other Similar products are found below :

[293300-7](#) [293660-5](#) [CNX\\_H03\\_NTP](#) [30-9767-BU](#) [3605](#) [3-21030-1](#) [ZCH-110-RGB-I](#) [503471-0290](#) [ZCH-110-RGB-J](#) [217-0716-200](#)  
[1954563-1](#) [1-293657-2](#) [2834036-1](#) [2834037-1](#) [1-2213222-4](#) [2-2213222-4](#) [2213222-4](#) [2834122-3](#) [2834122-5](#) [2834135-2](#) [FLA-R4142-30](#)  
[FLA-R4162-30](#) [FLA-R2142-30](#) [FLA-R2141-30](#) [FLA-R2162-30](#) [FLA-R2161-30](#) [FLA-R0161-30](#) [FLA-R0141-30](#) [FLA-R0162-30](#) [FLA-C00-](#)  
[00](#) [DGA00010553](#) [CNXV04NTP](#) [104128-0610](#) [503485-0000 \(Cut Strip\)](#) [503485-0000 \(Loose Piece\)](#) [503485-0000 \(MINI Reel\)](#) [1-2834074-2](#)  
[1-2834074-3](#) [1357-AC PLUG W2C \(CHINA\)](#) [1357-AC PLUG W2 \(USA\)](#) [104266-0110](#) [2106212-1](#) [2-2834074-2](#) [104266-0210](#) [293470-1](#)  
[293651-2](#) [293651-4](#) [1-2834006-2](#) [293651-1](#) [2213142-3](#)