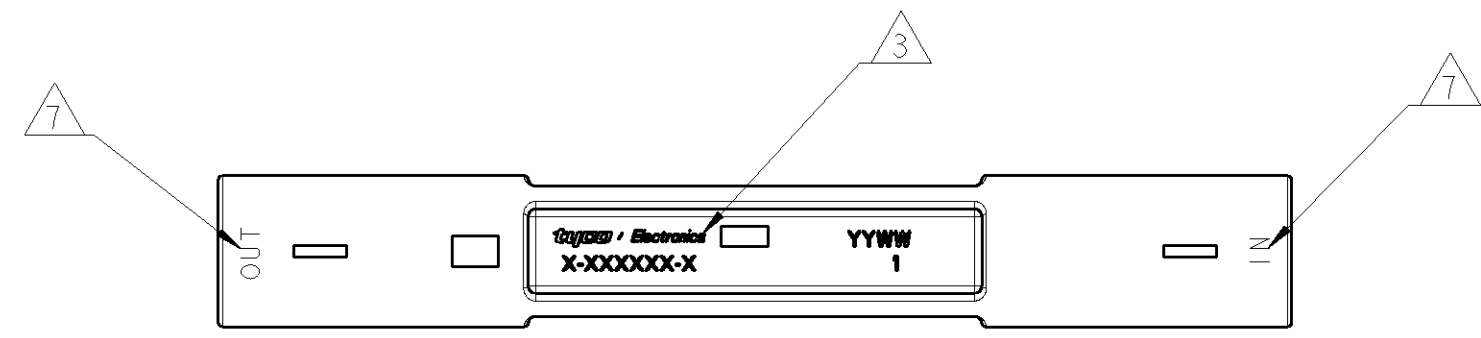


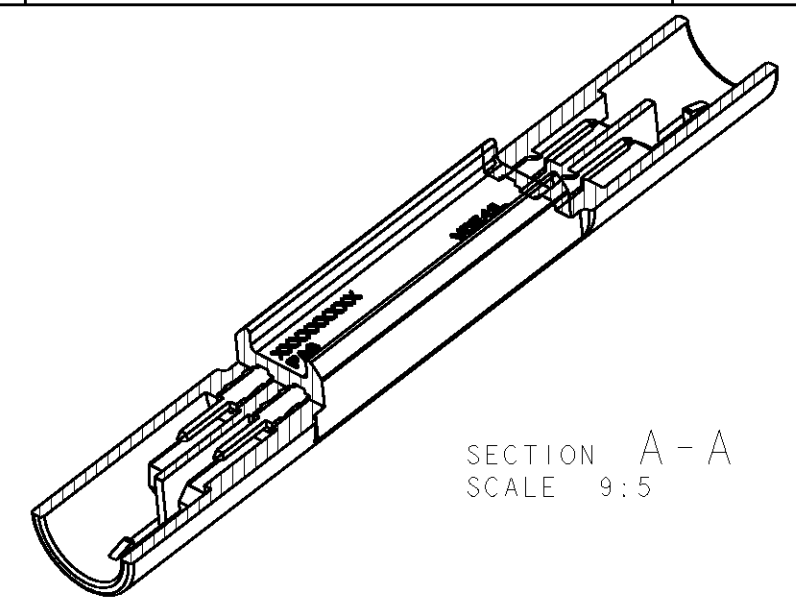
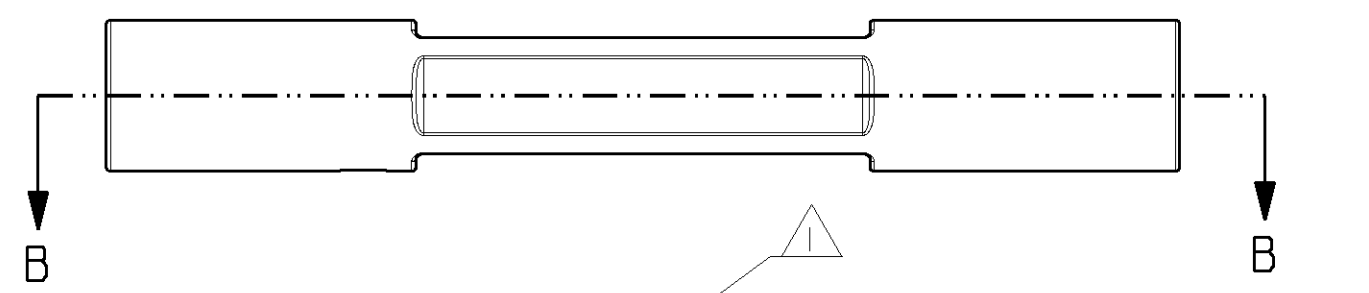
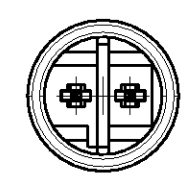
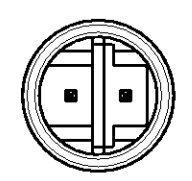
THIS DRAWING IS UNPUBLISHED. RELEASED FOR PUBLICATION 2005
 © COPYRIGHT 2005 BY TYCO ELECTRONICS CORPORATION. ALL RIGHTS RESERVED.

LOC	DIST	REVISIONS					
		P	LTR	DESCRIPTION	DATE	DWN	APVD
1			I	PRELIMINARY	27JUN2006	AV	GT
			A	FIRST ISSUE, WAS 06-51107	12JUL2006	AV	GT
			AI	REVISED: NEW POLARIZATIONS HV-4; HV5	27JUL2006	UA	GT
			B	LENGHT CHANGED FROM 72.2 TO 71	18SEP2006	AV	GT
			C	POLARIZATION HV-5 ROTATED OF 180°	19SEP2006	AV	GT
			D	REVISED ADDED NOTE IN-OUT	29SEP2006	AV	GT

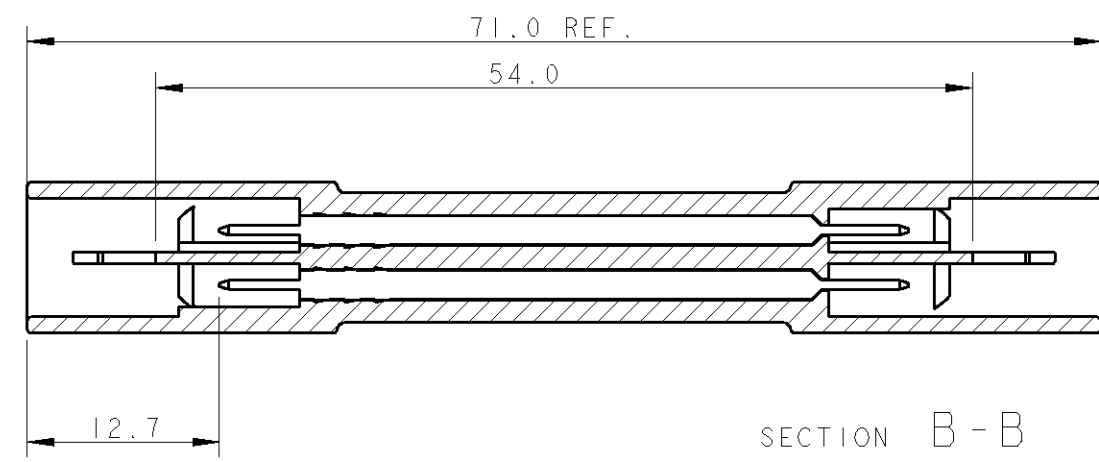
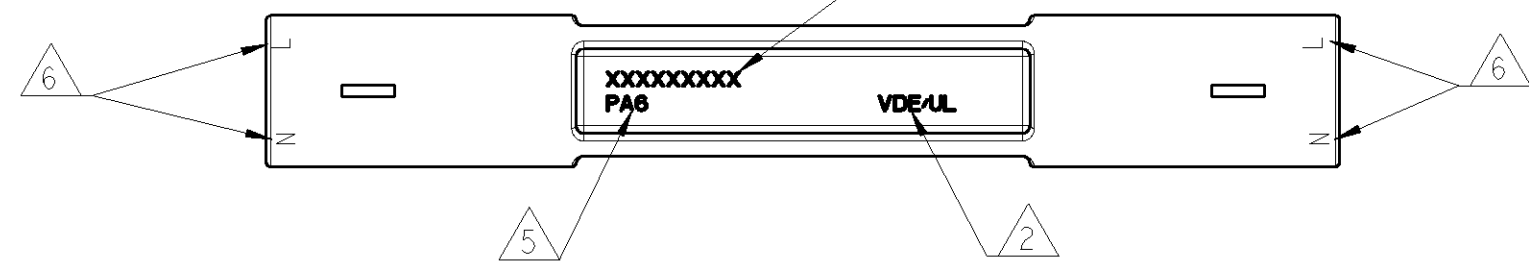


KEYING HV-4

KEYING HV-5



SECTION A - A
SCALE 9:5



SECTION B - B

- 1 KEYING DEPENDENT MARKING (SEE TABLE)
- 2 INSERT FOR UL, VDE LOGO DESIGN BUT NOT EXECUTE
- 3 PART MARKING
-Tyco Electronics Product Identifier
Date Code
Part number
- 4 MATERIAL:
HOUSING POLYAMIDE
CONTACT: BRASS TIN PLATED
- 5 RAW MATERIAL IDENTIFICATION
- 6 WAY IDENTIFICATION
- 7 INPUT-OUTPUT WAY DESCRIPTION

HV4-HV5	HIGH-VOLT 250 Vac	2.5A/250Vac	BLACK	293225-2	D
HV4-HV5	HIGH-VOLT 250 Vac	2.5A/250Vac	WHITE	293225-1	D
KEYING	REMARKS	MARKING 1	COLOR	P/N	REV.

THIS DRAWING IS A CONTROLLED DOCUMENT FOR TYCO ELECTRONICS CORPORATION
 IT IS SUBJECT TO CHANGE AND THE CONTROLLING ENGINEERING ORGANIZATION
 SHOULD BE CONTACTED FOR THE LATEST REVISION.

DIMENSIONS:		TOLERANCES UNLESS OTHERWISE SPECIFIED:	
mm		0 PLC	±
		1 PLC	±0.3
		2 PLC	±
		3 PLC	±
		4 PLC	±
		ANGLES	±
MATERIAL 4		FINISH	

DWN	27JUN2006	tyco Electronics	Tyco Electronics		
CHK	A. Vecchia		AMP Italia S.p.A. 10093 Collegno TO		
APVD	27JUN2006	NAME			
PRODUCT SPEC		OUTLET BRIDGE ASS'Y			
APPLICATION SPEC		SIZE	CAGE CODE	DRAWING NO	RESTRICTED TO
WEIGHT		A3	00779	C=293225	
CUSTOMER DRAWING		SCALE	SHEET	OF	REV
		2:1	1	1	D

X-ON Electronics

Largest Supplier of Electrical and Electronic Components

Click to view similar products for [Lighting Connectors](#) category:

Click to view products by [TE Connectivity](#) manufacturer:

Other Similar products are found below :

[293300-7](#) [293660-5](#) [CNX_H03_NTP](#) [30-9767-BU](#) [3605](#) [3-21030-1](#) [ZCH-110-RGB-I](#) [503471-0290](#) [ZCH-110-RGB-J](#) [217-0716-200](#)
[1954563-1](#) [1-293657-2](#) [2834036-1](#) [2834037-1](#) [1-2213222-4](#) [2-2213222-4](#) [2213222-4](#) [2834122-3](#) [2834122-5](#) [2834135-2](#) [FLA-R4142-30](#)
[FLA-R4162-30](#) [FLA-R2142-30](#) [FLA-R2141-30](#) [FLA-R2162-30](#) [FLA-R2161-30](#) [FLA-R0161-30](#) [FLA-R0141-30](#) [FLA-R0142-30](#) [FLA-](#)
[R0162-30](#) [FLA-C00-00](#) [DGA00010553](#) [CNXV04NTP](#) [104128-0610](#) [503485-0000 \(Cut Strip\)](#) [503485-0000 \(Loose Piece\)](#) [503485-0000](#)
[\(MINI Reel\)](#) [1-2834074-2](#) [1-2834074-3](#) [1357-AC PLUG W2C \(CHINA\)](#) [1357-AC PLUG W2 \(USA\)](#) [104266-0110](#) [2106212-1](#) [2-2834074-2](#)
[104266-0210](#) [293470-1](#) [293651-2](#) [293651-4](#) [1-2834006-2](#) [293651-1](#)