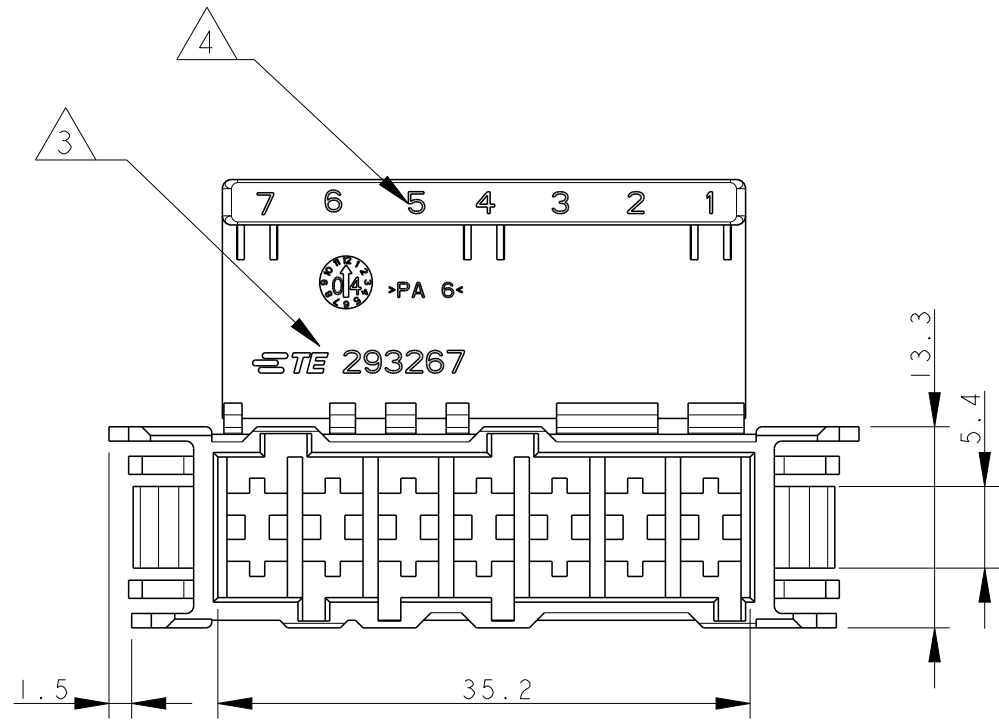
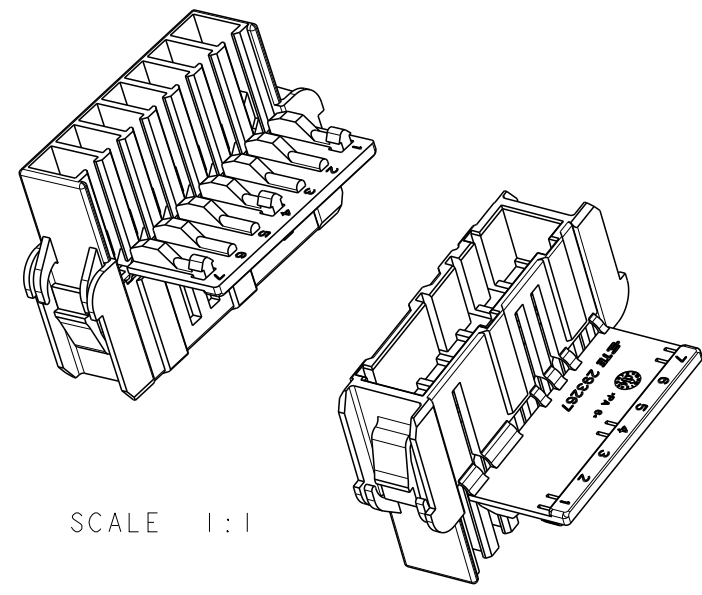
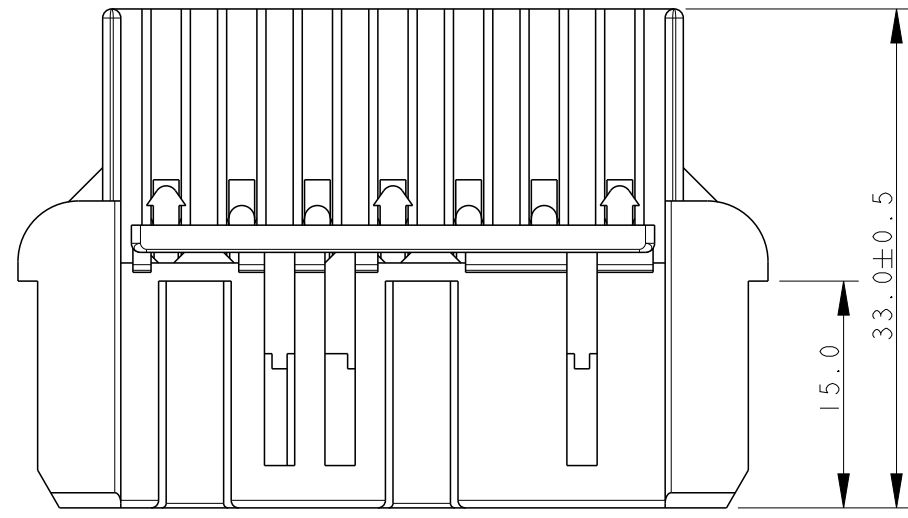
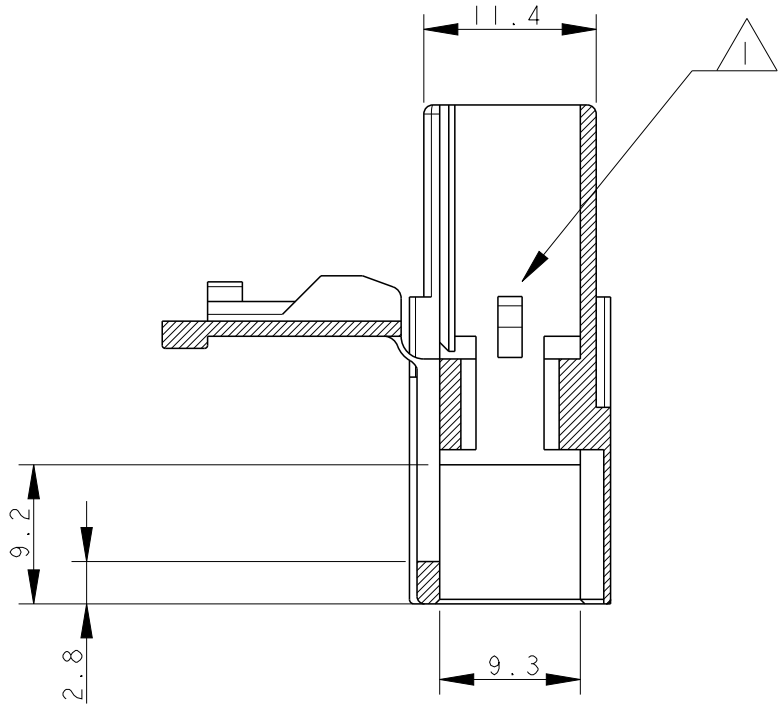


THIS DRAWING IS UNPUBLISHED. RELEASED FOR PUBLICATION 20
 © COPYRIGHT 20 BY - ALL RIGHTS RESERVED.

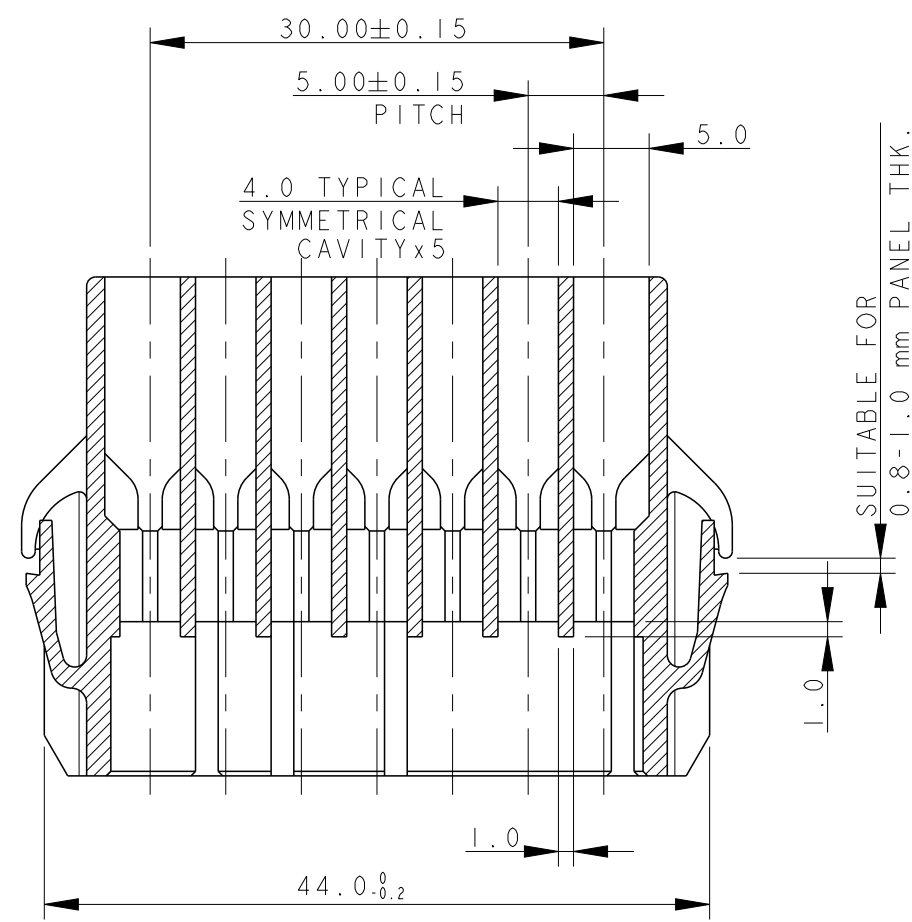
REVISIONS					
P	LTR	DESCRIPTION	DATE	DWN	APVD
	A4	ECR-16-013321	23SEP2016	KD	RR



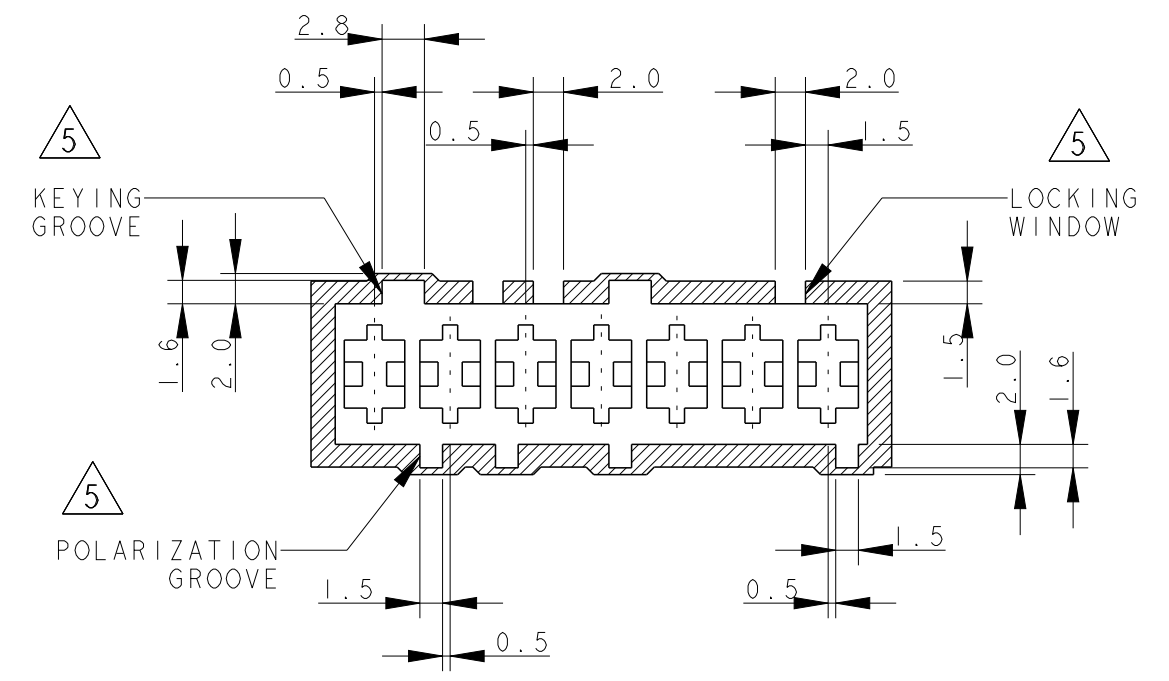
SECTION B-B



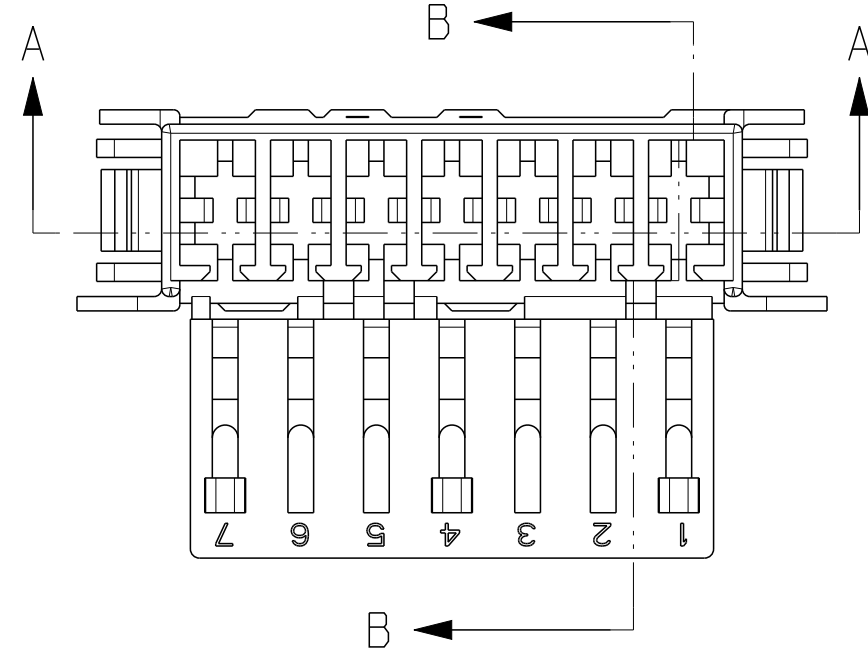
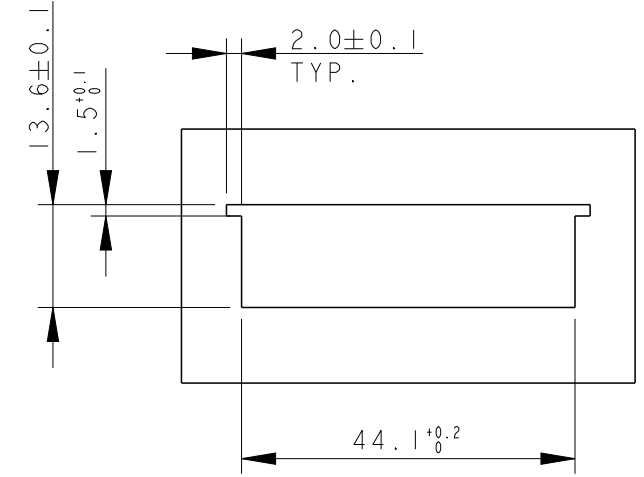
SECTION A-A



POLARIZATION KEYS SCHEME



CUTOUT PANEL DIMENSIONS THK. 0.8-1.0 SCALE 1:1



- 1) TYPICAL CAVITY SUITABLE FOR: FASTIN-FASTON TAB CONTACTS 6.3 mm SRS.
- 2) PA UNFILLED, UL94-V2, ACCORDING TO IEC 60335-1, GWT 750°C NO FLAME.
- 3) TE TRADEMARK "LOGO" AND TE CONNECTIVITY "PART NUMBER" OPTIONAL POSITION.
- 4) CIRCUIT IDENTIFICATION NUMBERS, 1 TO 7.
- 5) POLARIZATION KEYS DIMENSIONS AND POSITIONS ARE ACCORDING TO "RAST 5" NORM.
- 6) CONNECTOR HOUSING SUITABLE FOR MATION WITH:
 - AMP MONOSHAP MARK I TAB CONN. P/N: 1-293004-7
 - AMP MONOSHAP MARK II TAB CONN. P/N: X-284477-2
- 7) PA66 UNFILLED, UL94-V0, ACCORDING TO IEC 60335-1 GWT 750°C NO FLAME.
- 8) PRELIMINARY - NOT FOR PRODUCTION

NOTE	WEIGHT	COLOUR	MATERIAL	TYCO P/N	REV
PA66	9.28 GR	NATURAL	SEE NOTE 7	293267-2	A
PA 6	9.18 GR	NATURAL	SEE NOTE 2	293267-1	A

THIS DRAWING IS A CONTROLLED DOCUMENT.		DWN H. Yaqli 09JAN2007	TE Connectivity		
DIMENSIONS: mm		CHK H. Yaqli 09JAN2007			
TOLERANCES UNLESS OTHERWISE SPECIFIED:		APVD G. Turco	NAME 7 POS. FASTIN-FASTON* TAB HOUSING RAST 5, PANEL MOUNT VERSION		
0 PLC ±		PRODUCT SPEC	SIZE		
1 PLC ±0.3		APPLICATION SPEC	CAGE CODE		
2 PLC ±		WEIGHT	DRAWING NO		
3 PLC ±		CUSTOMER DRAWING	A200779C-293267		
4 PLC ±		SCALE	2:1		
ANGLES ±1°		SHEET	1 OF 1		
FINISH		REV	A4		

X-ON Electronics

Largest Supplier of Electrical and Electronic Components

Click to view similar products for [Terminals](#) category:

Click to view products by [TE Connectivity](#) manufacturer:

Other Similar products are found below :

[HT-13-10](#) [71M-250-32-NB](#) [01-2065-1-0216](#) [00581P0075](#) [M10-10RX](#) [M10BCK](#) [60205-1](#) [604200-1](#) [60598-1-CUT-TAPE](#) [60617-1-C](#) [60873-1](#) [M14-516R/SK](#) [M14-6RSX](#) [M18-8FBX](#) [M18-8R/LX](#) [M18BCK](#) [61314-6-C](#) [61-S](#) [61-SN-A](#) [62-NBM-A](#) [63-S](#) [640179-1](#) [640917-2-CUT-TAPE](#) [6501550002](#) [66107-2-C](#) [696683-1](#) [696834-1](#) [696861-1](#) [696931-1](#) [696999-1](#) [M8-516RK](#) [M86700006](#) [MA250DMFMX-A](#) [701-2007](#) [701-2307](#) [701-7761-03](#) [70F-110-32-PB](#) [718-N-A](#) [71M-187-20-NBL](#) [71M-250-32-NBL](#) [72F-187-20-NBL](#) [72M-250-32-NBL](#) [7310](#) [73F-250-32](#) [73F-250-32-NL](#) [F14-10C](#) [F-1M](#) [751-250](#) [76650-5002](#) [76828-149](#)