

THIS DRAWING IS UNPUBLISHED.

RELEASED FOR PUBLICATION

20

© COPYRIGHT 20

Tyco Electronics AMP GmbH

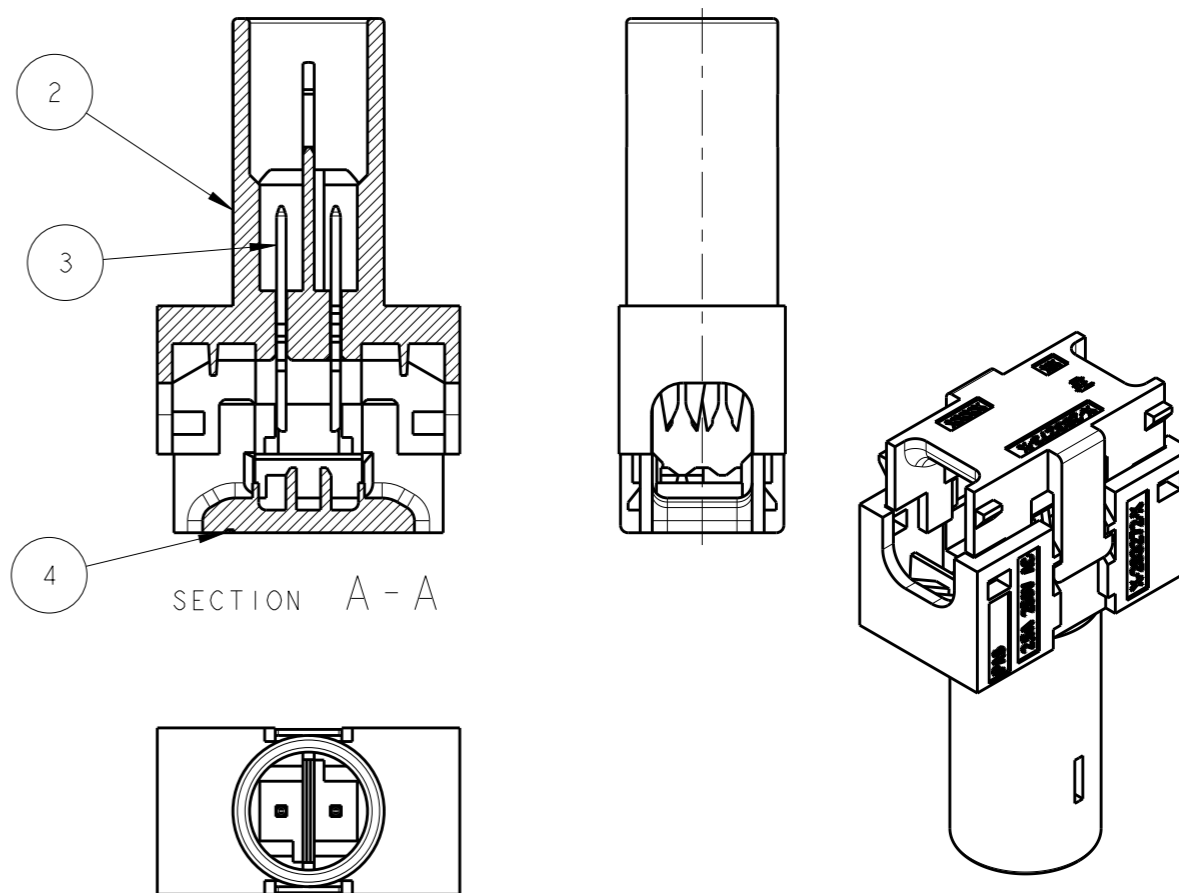
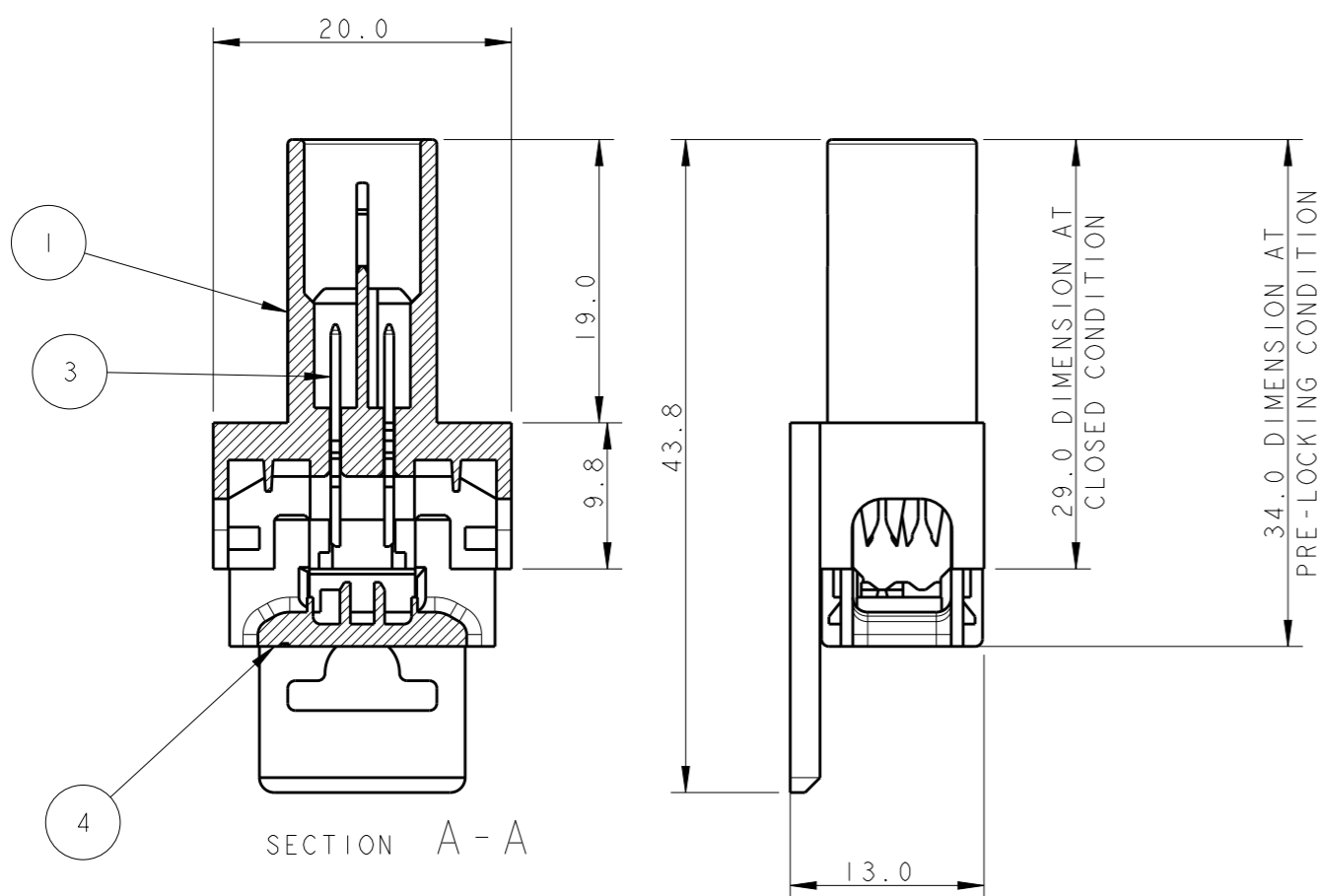
ALL RIGHTS RESERVED.

LOC
A1

DIST
-

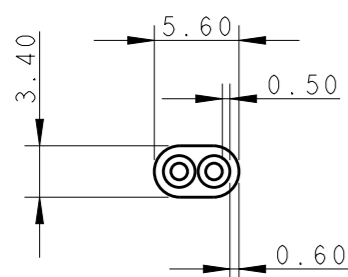
REVISIONS

| P | LTR | DESCRIPTION | DATE | DWN | APVD |
|---|-----|----------------------------------|-----------|-----|------|
| L | | IMPROVED LOCKING RETENTION TEETH | 20MAY2011 | AV | GT |
| M | | REMOVED H05VVH2-F CABLE | 22AUG2012 | MZ | JC |
| N | | ECR-16-004670 | 26APR2016 | RS | JL |



CABLE CONFIGURATION

CABLE H03VVH2-F
2x0.75 mm²



P/N 0-293300-1;-2 AS SHOWN
POLARIZATION KEY HV-1

MISSING DIMENSION SEE P/N 0-...-1

P/N 0-293300-3;-4 AS SHOWN
POLARIZATION KEY HV-1

THIS DRAWING IS A CONTROLLED DOCUMENT.

| | |
|----------------------------------------|-------|
| DIMENSIONS: mm | |
| TOLERANCES UNLESS OTHERWISE SPECIFIED: | |
| 0 PLC | ±0.3 |
| 1 PLC | ±0.05 |
| 2 PLC | ±0.05 |
| 3 PLC | ±0.05 |
| 4 PLC | ±0.05 |
| ANGLES | ±1° |
| MATERIAL | - |
| FINISH | - |

| | | |
|------------------|------------|-----------|
| DWN | A. Vecchia | 23APR2007 |
| CHK | G. Turco | 23APR2007 |
| APVD | G. Turco | 23APR2007 |
| PRODUCT SPEC | 108-94018 | |
| APPLICATION SPEC | 114-20131 | |
| WEIGHT | - | |
| CUSTOMER DRAWING | | |

| | | | |
|-------|-----------|---------------------------------------|---------------|
| | | TE Connectivity | |
| | | NAME BUS BAR 2 POSITION GENERAL | |
| SIZE | CAGE CODE | DRAWING NO | RESTRICTED TO |
| A3 | 00779 | C-293300 | - |
| SCALE | | SHEET | REV |
| 2:1 | | 1 OF 2 | N |

X-ON Electronics

Largest Supplier of Electrical and Electronic Components

Click to view similar products for [Lighting Connectors](#) category:

Click to view products by [TE Connectivity](#) manufacturer:

Other Similar products are found below :

[293300-7](#) [293660-5](#) [CNX_H03_NTP](#) [30-9767-BU](#) [3605](#) [3-21030-1](#) [ZCH-110-RGB-I](#) [503471-0290](#) [ZCH-110-RGB-J](#) [217-0716-200](#)
[1954563-1](#) [1-293657-2](#) [2834036-1](#) [2834037-1](#) [1-2213222-4](#) [2-2213222-4](#) [2213222-4](#) [2834122-3](#) [2834122-5](#) [2834135-2](#) [FLA-R4142-30](#)
[FLA-R4162-30](#) [FLA-R2142-30](#) [FLA-R2141-30](#) [FLA-R2162-30](#) [FLA-R2161-30](#) [FLA-R0161-30](#) [FLA-R0141-30](#) [FLA-R0142-30](#) [FLA-](#)
[R0162-30](#) [FLA-C00-00](#) [DGA00010553](#) [CNXV04NTP](#) [104128-0610](#) [503485-0000 \(Cut Strip\)](#) [503485-0000 \(Loose Piece\)](#) [503485-0000](#)
[\(MINI Reel\)](#) [1-2834074-2](#) [1-2834074-3](#) [1357-AC PLUG W2C \(CHINA\)](#) [1357-AC PLUG W2 \(USA\)](#) [104266-0110](#) [CNXV02NTP](#) [2106212-1](#)
[2-2834074-2](#) [104266-0210](#) [293470-1](#) [293651-2](#) [293651-4](#) [1-2834006-2](#)