

LOC  
AL

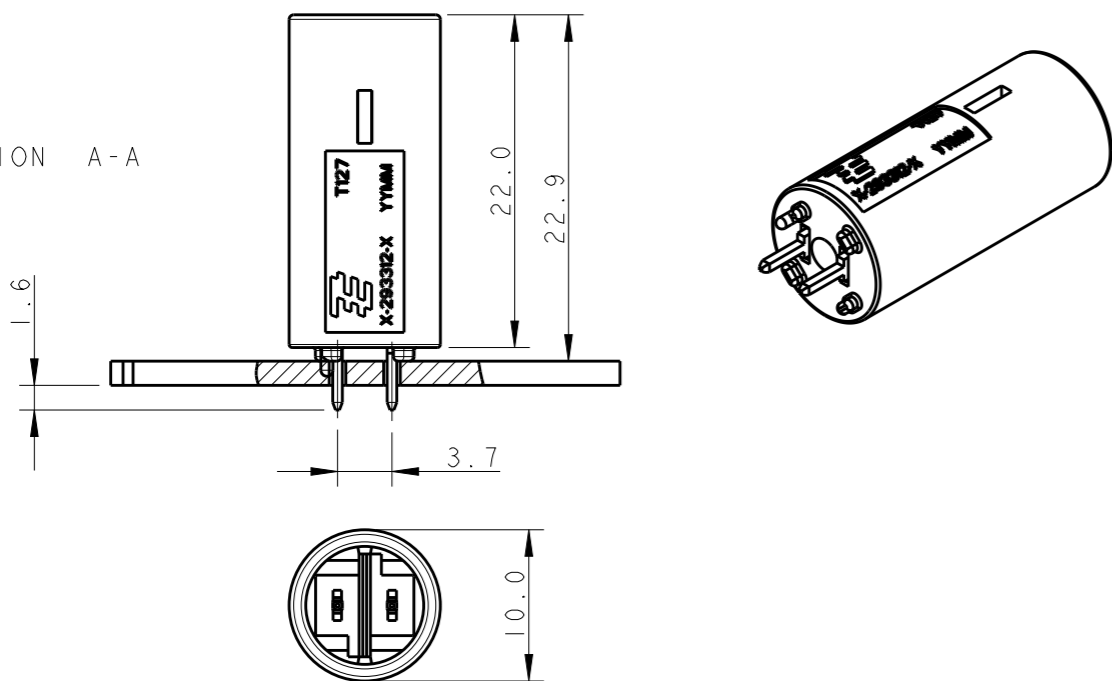
DIST  
2

REVISIONS

P	LTR	DESCRIPTION	DATE	DWN	APVD
	G	UPDATED HV-4 POLARIZATION KEY	21AUG2009	AV	GT
	G1	ADDED COMPONENT PART NUMBERS	10NOV2009	AV	GT
	G2	REVISED PER ECR-13-009678	18SEP2013	RS	DD
	G3	ECR-16-004670	04APR2016	RS	JL

TYPICAL APPLICATION

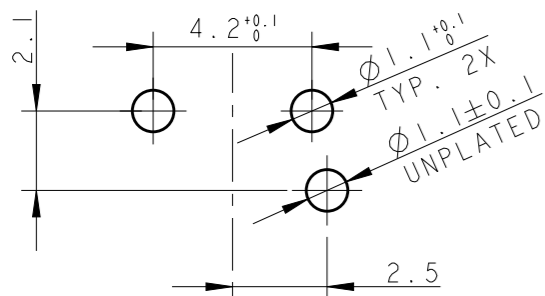
SECTION A-A



△ OBSOLETE.

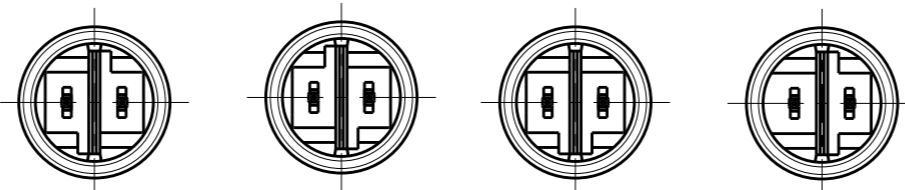
PRINTED CIRCUIT BOARD LAYOUT FOR LOW VOLTAGE VERSION

TOLERANCES UNLESS OTHERWISE SPECIFIED ± 0.05  
PRINTED CIRCUIT BOARD THICKNESS: 1.6 mm NOMINAL



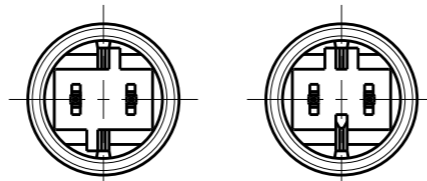
HIGH VOLTAGE

KEYING HV-1 KEYING HV-2 KEYING HV-3 KEYING HV-4



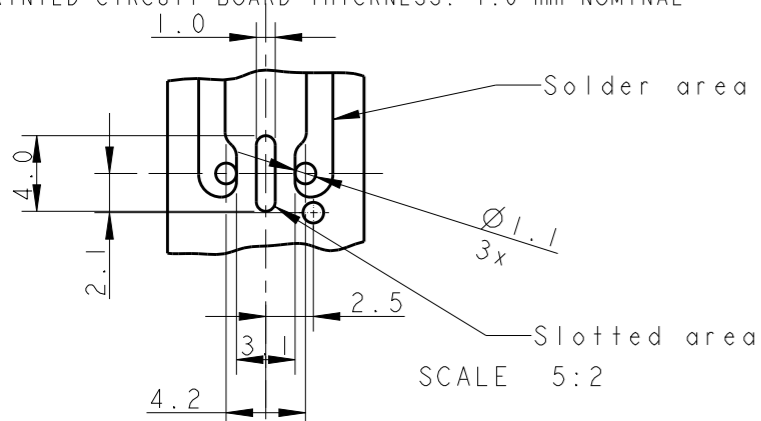
LOW VOLTAGE

KEYING LV-1 KEYING LV-2



PRINTED CIRCUIT BOARD LAYOUT FOR HIGH VOLTAGE VERSION

TOLERANCES UNLESS OTHERWISE SPECIFIED ± 0.05  
PRINTED CIRCUIT BOARD THICKNESS: 1.6 mm NOMINAL



KEYING	REMARKS	PART NUMBER	CTC. FINISH SURFACE	COLOR
△ HV-4	HIGH-VOLT 250 V AC	1-293313-2	GOLD	BLACK
△ HV-4	HIGH-VOLT 250 V AC	1-293313-1	GOLD	WHITE
HV-1	HIGH-VOLT 250 V AC	1-293313-0	GOLD	BLACK
HV-1	HIGH-VOLT 250 V AC	293313-9	GOLD	WHITE
△ HV-2	SWITCH-KEYING	293313-8	TIN	RED
△ HV-4	HIGH-VOLT 250 V AC	293313-7	TIN	BLACK
△ HV-4	HIGH-VOLT 250 V AC	293313-6	TIN	WHITE
LV-2	LOW-VOLT 42 V DC	293313-5	TIN	YELLOW
△ LV-1	LOW-VOLT 42 V AC	293313-4	TIN	LIGHT GREY
△ HV-3	HIGH-VOLT 125 V AC	293313-3	TIN	BLUE
HV-1	HIGH-VOLT 250 V AC	293313-2	TIN	BLACK
HV-1	HIGH-VOLT 250 V AC	293313-1	TIN	WHITE

THIS DRAWING IS A CONTROLLED DOCUMENT.

DIMENSIONS:	TOLERANCES UNLESS OTHERWISE SPECIFIED:
mm	
0 PLC	±
1 PLC	±0.3
2 PLC	±0.1
3 PLC	±
4 PLC	±
ANGLES	±0.5°
MATERIAL	FINISH

DWN	R. FRABONI	21 JUN 2007
CHK	J. SALO	11 FEB 2008
APVD	L. BATTLO	11 FEB 2008
PRODUCT SPEC	108-94018	
APPLICATION SPEC	114-32102	
WEIGHT	-	
CUSTOMER DRAWING		



NAME				7.5 mm PCB CONNECTOR ASSEMBLY STRAIGHT MALE VERSION	
SIZE	CAGE CODE	DRAWING NO	RESTRICTED TO		
A3	00779	C-293313	-		
SCALE		SHEET	OF	REV	
5:1		1	1	G3	

## X-ON Electronics

Largest Supplier of Electrical and Electronic Components

*Click to view similar products for [Lighting Connectors](#) category:*

*Click to view products by [TE Connectivity](#) manufacturer:*

Other Similar products are found below :

[21061-9](#) [293300-7](#) [2106117-2](#) [293660-5](#) [293700-2](#) [CNX\\_H03\\_NTP](#) [30-9767-BU](#) [3-21030-1](#) [ZCH-110-RGB-I](#) [503471-0290](#) [ES5P09K4F2](#)  
[CNXH02NTP](#) [ZCH-110-RGB-J](#) [217-0716-200](#) [192992-0057](#) [1954563-1](#) [217-3030-000](#) [217-3032-000](#) [237-0734-003](#) [1-2213614-2](#) [2834049-](#)  
[3](#) [ES9S002SZZ](#) [2834049-2](#) [2-2834067-3](#) [1-293657-2](#) [2834049-1](#) [1-2213614-3](#) [2834036-1](#) [2834037-1](#) [2213614-3](#) [2307526-2](#) [2-2106124-3](#)  
[2-2834068-3](#) [FLS2SC4001BP](#) [FLSC80352000](#) [FLSC80354000](#) [FLSC80353000](#) [FLSSB8002](#) [FLSSB8001](#) [FLSC80351000](#) [FLSC80355000](#)  
[FLSSB4001](#) [FLSC80504000](#) [FLSC80502000](#) [FLSC80501000](#) [FLSSR4001](#) [FLSC80505000](#) [FLSC80503000](#) [FLA-R4142-30](#) [FLA-R4141-30](#)