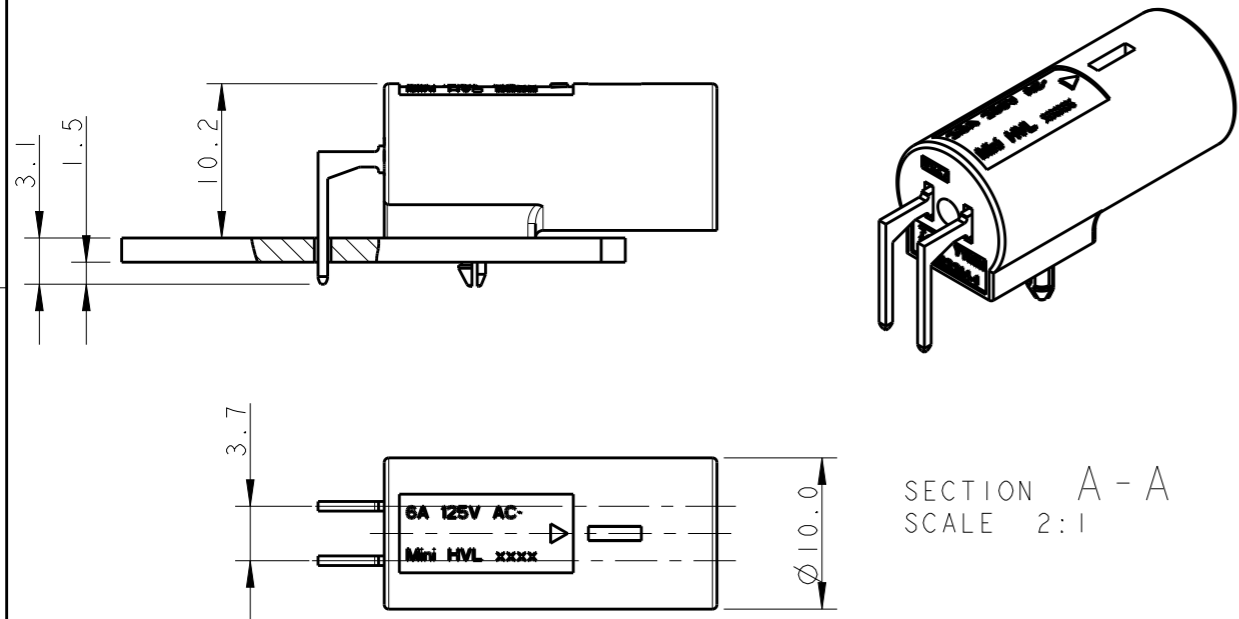


THIS DRAWING IS UNPUBLISHED. RELEASED FOR PUBLICATION 20  
 © COPYRIGHT 20 BY - ALL RIGHTS RESERVED.

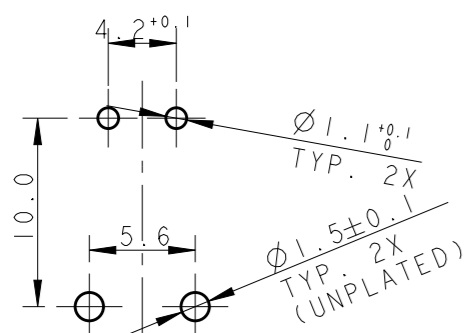
LOC	DIST	REVISIONS			
P	LTR	DESCRIPTION	DATE	DWN	APVD
AL	2	E	CHANGED PCB LAYOUT	01SEP2008	J.S. G.T.
		F	DELETED PART REVISION TABLE	18MAR2009	JS PEG
		F1	REVISED PCB HOLES LAYOUT	04APR2011	AV GT
		F2	REVISED PER ECR-13-009678	18SEP2013	RS DD

### TYPICAL APPLICATION



#### PRINTED CIRCUIT BOARD LAYOUT FOR LOW VOLTAGE VERSION

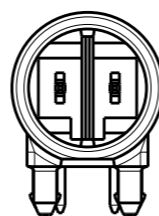
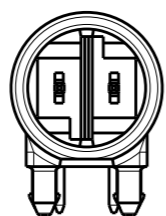
TOLERANCES UNLESS OTHERWISE SPECIFIED ± 0.05  
 PRINTED CIRCUIT BOARD THICKNESS: 1.6 mm NOMINAL



#### HIGH VOLTAGE

P/N 293315-1;-2;-6;-7  
 KEYING HV-1

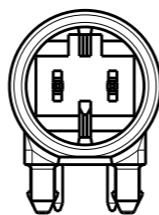
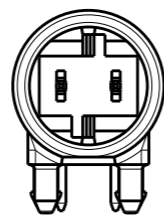
P/N 293315-3  
 KEYING HV-3



#### LOW VOLTAGE

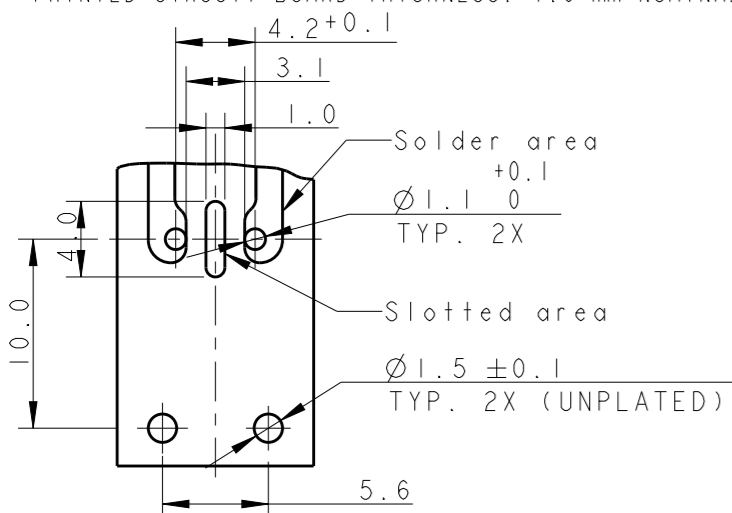
P/N 293315-4  
 KEYING LV-1

P/N 293315-5  
 KEYING LV-2



#### PRINTED CIRCUIT BOARD LAYOUT FOR HIGH VOLTAGE VERSION

TOLERANCES UNLESS OTHERWISE SPECIFIED ± 0.05  
 PRINTED CIRCUIT BOARD THICKNESS: 1.6 mm NOMINAL



- NOTE:
- 1 TIN PLATED CONTACTS
  - 2 GOLD PLATED CONTACTS
  - 3 MATERIAL HOUSING PA66 25%GFF UL94 V0

NOTE	KEYING	REMARKS	PART NUMBER	COLOR
2	HV-1	HIGH-VOLT 250 V AC	293315-7	BLACK
2	HV-1	HIGH-VOLT 250 V AC	293315-6	WHITE
1	LV-2	LOW-VOLT 42 V DC	293315-5	YELLOW
1	LV-1	LOW-VOLT 42 V AC	293315-4	LIGHT GREY
1	HV-3	HIGH-VOLT 125 V AC	293315-3	BLUE
1	HV-1	HIGH-VOLT 250 V AC	293315-2	BLACK
1	HV-1	HIGH-VOLT 250 V AC	293315-1	WHITE

THIS DRAWING IS A CONTROLLED DOCUMENT.

DWN: 20JUN2007 R. FRABONI  
 CHK: 11FEB2008 J. SALO  
 APVD: 11FEB2008 L. BAILO

PRODUCT SPEC: 108-94018  
 APPLICATION SPEC: 114-32102  
 WEIGHT: -

**STE** TE Connectivity

NAME: 7.5 mm PCB CONNECTOR ASSEMBLY 90 DEGREE MALE VERSION

SIZE: A3 CAGE CODE: 00779 DRAWING NO: C-293315 RESTRICTED TO: -

Customer Drawing SCALE: 2:1 SHEET: 1 OF 1 REV: F2

## X-ON Electronics

Largest Supplier of Electrical and Electronic Components

*Click to view similar products for [Lighting Connectors](#) category:*

*Click to view products by [TE Connectivity](#) manufacturer:*

Other Similar products are found below :

[293300-7](#) [293660-5](#) [CNX\\_H03\\_NTP](#) [30-9767-BU](#) [3605](#) [3-21030-1](#) [ZCH-110-RGB-I](#) [503471-0290](#) [ZCH-110-RGB-J](#) [217-0716-200](#)  
[1954563-1](#) [1-293657-2](#) [2834036-1](#) [2834037-1](#) [1-2213222-4](#) [2-2213222-4](#) [2213222-4](#) [2834122-3](#) [2834122-5](#) [2834135-2](#) [FLA-R4142-30](#)  
[FLA-R4162-30](#) [FLA-R2142-30](#) [FLA-R2141-30](#) [FLA-R2162-30](#) [FLA-R2161-30](#) [FLA-R0161-30](#) [FLA-R0141-30](#) [FLA-R0162-30](#) [FLA-C00-](#)  
[00](#) [DGA00010553](#) [CNXV04NTP](#) [104128-0610](#) [503485-0000 \(Cut Strip\)](#) [503485-0000 \(Loose Piece\)](#) [503485-0000 \(MINI Reel\)](#) [1-2834074-2](#)  
[1-2834074-3](#) [1357-AC PLUG W2C \(CHINA\)](#) [1357-AC PLUG W2 \(USA\)](#) [104266-0110](#) [2106212-1](#) [2-2834074-2](#) [104266-0210](#) [293470-1](#)  
[293651-2](#) [293651-4](#) [1-2834006-2](#) [293651-1](#) [2213142-3](#)