

4

3

2

1

THIS DRAWING IS UNPUBLISHED.

RELEASED FOR PUBLICATION

20

© COPYRIGHT 20

BY -


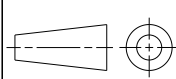
ALL RIGHTS RESERVED.

REVISIONS

P	LTR	DESCRIPTION	DATE	DWN	APVD
	A	FIRST ISSUE	11FEB2009	AV	GT
	A1	CHANGED RAW MTL ACC.TO UL REQUIREMENTS	30NOV2009	AV	GT
	B	ADDED LOAD MARKS	07JUL2011	AV	GT
	C	REVISED PER ECR-14-004322	27MAR2014	RS	DD

- Space inside designed for cable type SVT 2xAWG18
MAXIMUM OUTER DIAMETER 5.97mm
- Counterparts see drawings for PN 293387 and 293388

WHITE	PBT GF15% UL94 V0	0-293359-1	C
COLOUR	MATERIAL	TE P/N	REV

THIS DRAWING IS A CONTROLLED DOCUMENT.		DWN A. Vecchia	11FEB2009	 TE Connectivity	
DIMENSIONS: mm		CHK G. Turco	11FEB2009		
		APVD G. Turco	11FEB2009		
TOLERANCES UNLESS OTHERWISE SPECIFIED:		PRODUCT SPEC	-		
0 PLC ±- 1 PLC ±0.2 2 PLC ±0.13 3 PLC ±0.013 4 PLC ±0.0001 ANGLES ±-		APPLICATION SPEC	-	NAME 7.5mm MiniHVL Connector System TUBE for SVT cable	
MATERIAL SEE TABLE		FINISH	-	SIZE	A3
-		FINISH	-	CAGE CODE	00779
-		FINISH	-	DRAWING NO	C-293359
-		FINISH	-	RESTRICTED TO	-
-		FINISH	-	SCALE	4:1
-		FINISH	-	SHEET	1 OF 1
-		FINISH	-	REV	C
-		FINISH	-	Customer Drawing	

1470-19 (3/13)

X-ON Electronics

Largest Supplier of Electrical and Electronic Components

Click to view similar products for [Lighting Connectors](#) category:

Click to view products by [TE Connectivity](#) manufacturer:

Other Similar products are found below :

[293300-7](#) [293660-5](#) [CNX_H03_NTP](#) [30-9767-BU](#) [3605](#) [3-21030-1](#) [ZCH-110-RGB-I](#) [503471-0290](#) [ZCH-110-RGB-J](#) [217-0716-200](#)
[1954563-1](#) [1-293657-2](#) [2834036-1](#) [2834037-1](#) [1-2213222-4](#) [2-2213222-4](#) [2213222-4](#) [2834122-3](#) [2834122-5](#) [2834135-2](#) [FLA-R4142-30](#)
[FLA-R4162-30](#) [FLA-R2142-30](#) [FLA-R2141-30](#) [FLA-R2162-30](#) [FLA-R2161-30](#) [FLA-R0161-30](#) [FLA-R0141-30](#) [FLA-R0142-30](#) [FLA-](#)
[R0162-30](#) [FLA-C00-00](#) [DGA00010553](#) [CNXV04NTP](#) [104128-0610](#) [503485-0000 \(Cut Strip\)](#) [503485-0000 \(Loose Piece\)](#) [503485-0000](#)
[\(MINI Reel\)](#) [1-2834074-2](#) [1-2834074-3](#) [1357-AC PLUG W2C \(CHINA\)](#) [1357-AC PLUG W2 \(USA\)](#) [104266-0110](#) [2106212-1](#) [2-2834074-2](#)
[104266-0210](#) [293470-1](#) [293651-2](#) [293651-4](#) [1-2834006-2](#) [293651-1](#)