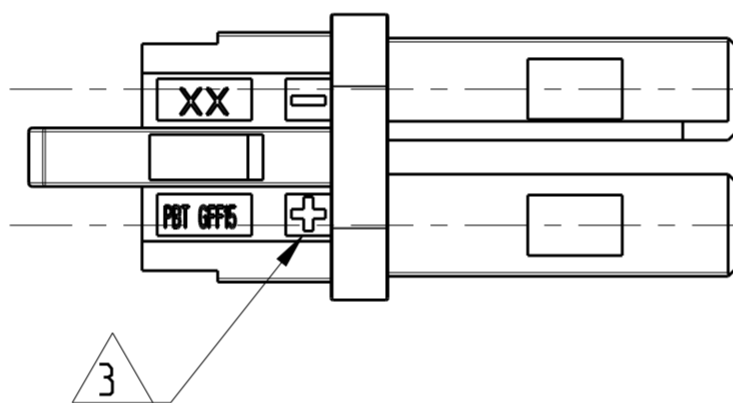
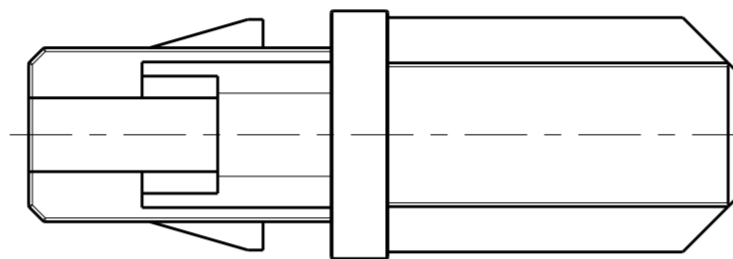
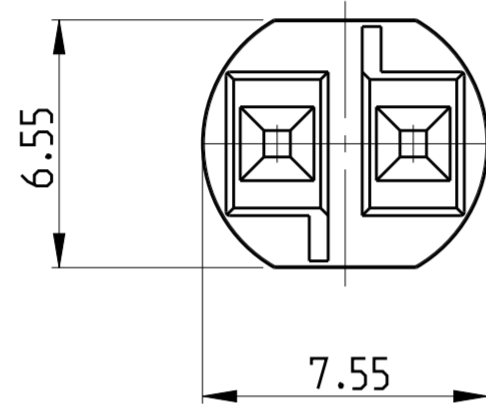
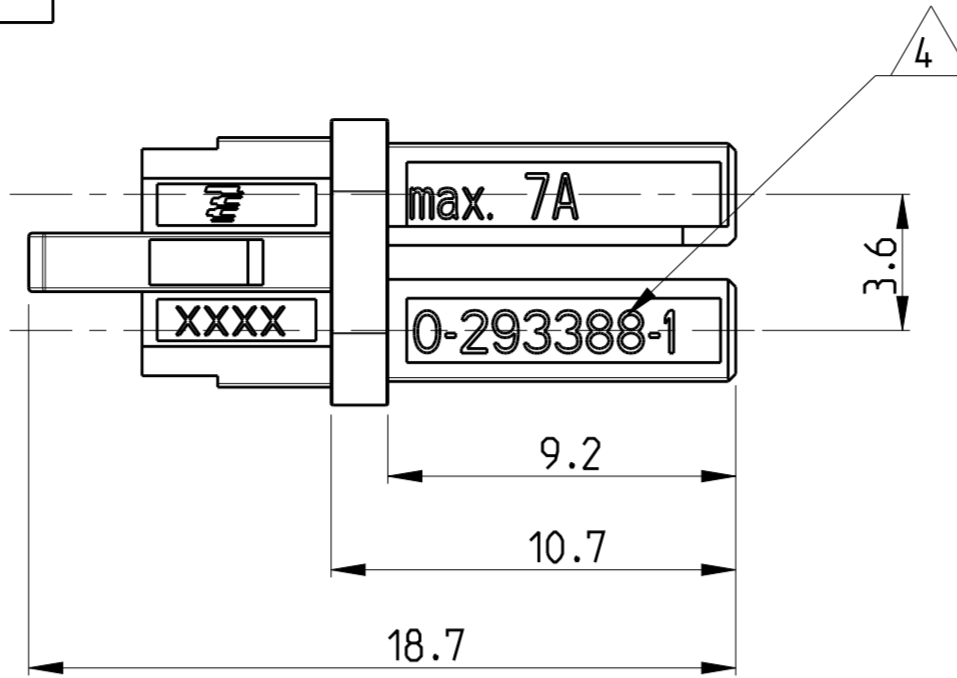


THIS DRAWING IS UNPUBLISHED. RELEASED FOR PUBLICATION 2005
 © COPYRIGHT 2005 BY - ALL RIGHTS RESERVED.

| REVISIONS | | | | | |
|-----------|-----|---------------------------|-----------|-----|------|
| P | LTR | DESCRIPTION | DATE | DWN | APVD |
| A2 | | ADDED NEW P/N | 30NOV2009 | AV | GT |
| B | | RELEASED FOR PRODUCTION | 13MAY2011 | AV | GT |
| F | | REVISED PER ECR-16-005692 | 02JUN2016 | RS | JL |
| G | | REVISED PER ECR-16-017348 | 24FEB2017 | RK | JL |

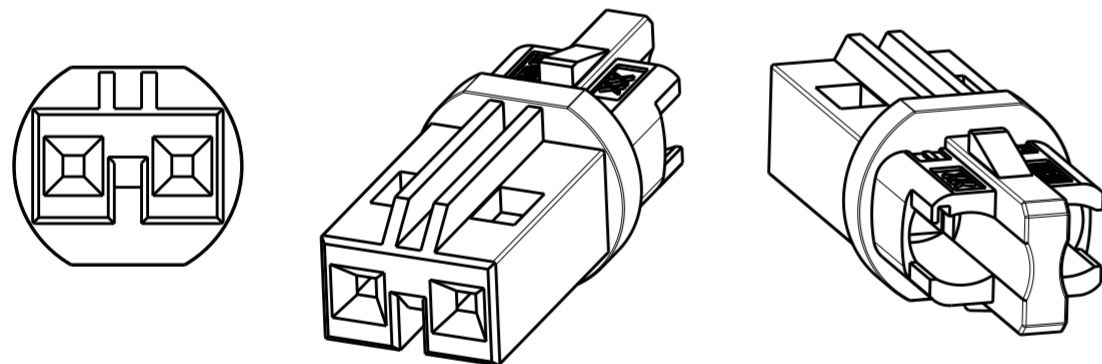


Remarks:

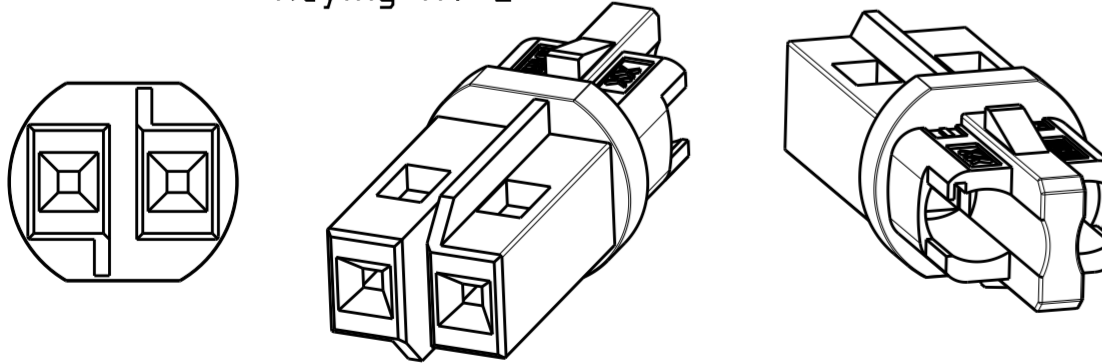
1. cavities designed for MQS socket contact PN 1740336-x
2. Counterpart is Outlet PN 293387-x
3. Polarity marking +/- permanent / usable for DC version
4. PN specific marking
5. P/N 293388-1 POLARIZATION HV-2 HAS TO BE USED FOR SWITCH APPLICATION ONLY
6. PBT, 15%GF, UL94 V0 WHITE COLUR

P/N 293388-1 AS SHOWN

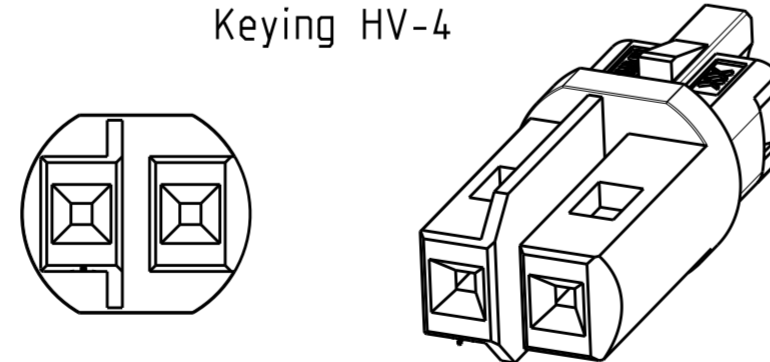
Keying LV-2



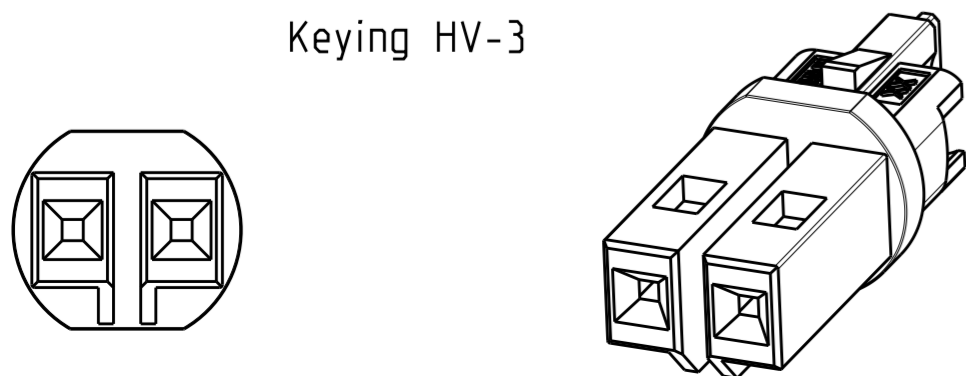
Keying HV-2



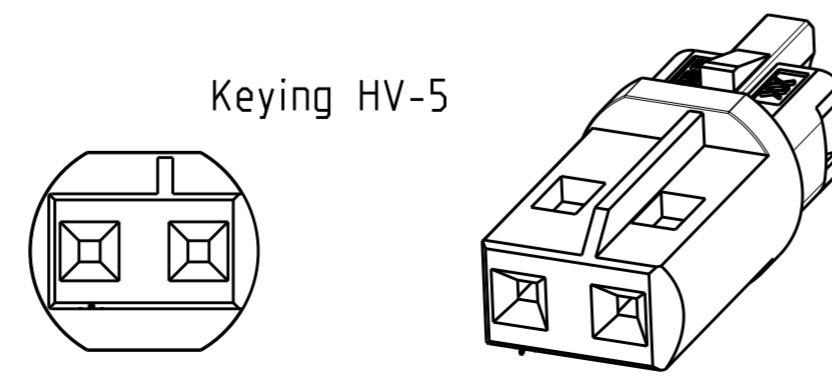
Keying HV-4



Keying HV-3



Keying HV-5



| Note | Keying | COLOR/MATERIAL | REMARKS | Marking | PN |
|------|--------|----------------|------------------------|-----------------|----------|
| | LV-2 | WHITE 6 | LOW-VOLTAGE 125VAC/VDC | 7A 125VAC/VDC = | 293388-5 |
| | HV-5 | WHITE 6 | HIGH-VOLTAGE 125V AC | 6A/125V AC~ | 293388-4 |
| | HV-4 | WHITE 6 | HIGH-VOLTAGE 125V AC | 6A/125V AC~ | 293388-3 |
| | HV-3 | WHITE 6 | HIGH-VOLTAGE 125V AC | 6A/125V AC~ | 293388-2 |
| 5 | HV-2 | WHITE 6 | HIGH-VOLTAGE 125V AC | 6A/125V AC~ | 293388-1 |

THIS DRAWING IS A CONTROLLED DOCUMENT.

| | | | |
|----------------|--|--------------------------|---|
| DIMENSIONS: mm | TOLERANCES UNLESS OTHERWISE SPECIFIED: | DWN A. Vecchia 11FEB2009 | TE Connectivity |
| | | CHK G. Turco 11FEB2009 | |
| | | APVD G. Turco 11FEB2009 | |
| MATERIAL | FINISH | PRODUCT SPEC | NAME NECTOR S CONNECTOR SYSTEM PLUG |
| | | APPLICATION SPEC | SIZE A2 CAGE CODE 00779 DRAWING NO G-293388 RESTRICTED TO - |
| | | WEIGHT 0.4 g | SCALE 4:1 SHEET 1 OF 1 REV G |
| | | CUSTOMER DRAWING | |

X-ON Electronics

Largest Supplier of Electrical and Electronic Components

Click to view similar products for [Lighting Connectors](#) category:

Click to view products by [TE Connectivity](#) manufacturer:

Other Similar products are found below :

[293300-7](#) [293660-5](#) [CNX_H03_NTP](#) [30-9767-BU](#) [3605](#) [3-21030-1](#) [ZCH-110-RGB-I](#) [503471-0290](#) [ZCH-110-RGB-J](#) [217-0716-200](#)
[1954563-1](#) [1-293657-2](#) [2834036-1](#) [2834037-1](#) [1-2213222-4](#) [2-2213222-4](#) [2213222-4](#) [2834122-3](#) [2834122-5](#) [2834135-2](#) [FLA-R4142-30](#)
[FLA-R4162-30](#) [FLA-R2142-30](#) [FLA-R2141-30](#) [FLA-R2162-30](#) [FLA-R2161-30](#) [FLA-R0161-30](#) [FLA-R0141-30](#) [FLA-R0142-30](#) [FLA-](#)
[R0162-30](#) [FLA-C00-00](#) [DGA00010553](#) [CNXV04NTP](#) [104128-0610](#) [503485-0000 \(Cut Strip\)](#) [503485-0000 \(Loose Piece\)](#) [503485-0000](#)
[\(MINI Reel\)](#) [1-2834074-2](#) [1-2834074-3](#) [1357-AC PLUG W2C \(CHINA\)](#) [1357-AC PLUG W2 \(USA\)](#) [104266-0110](#) [CNXV02NTP](#) [2106212-1](#)
[2-2834074-2](#) [104266-0210](#) [293470-1](#) [293651-2](#) [293651-4](#) [1-2834006-2](#)