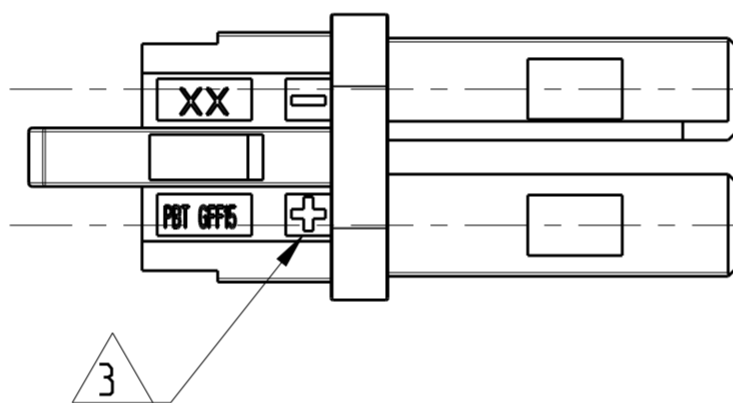
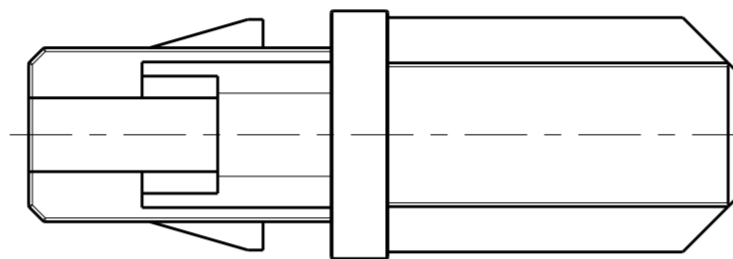
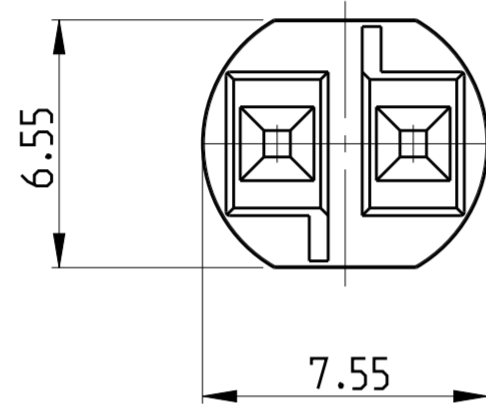
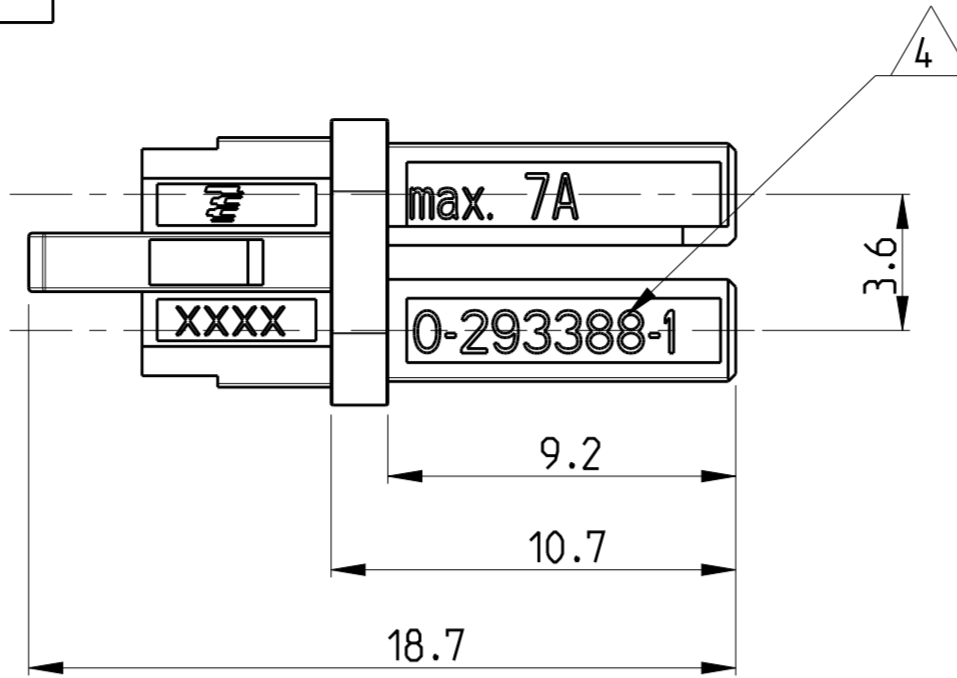


THIS DRAWING IS UNPUBLISHED. RELEASED FOR PUBLICATION 2005  
 © COPYRIGHT 2005 BY - ALL RIGHTS RESERVED.

REVISIONS					
P	LTR	DESCRIPTION	DATE	DWN	APVD
A2		ADDED NEW P/N	30NOV2009	AV	GT
B		RELEASED FOR PRODUCTION	13MAY2011	AV	GT
F		REVISED PER ECR-16-005692	02JUN2016	RS	JL
G		REVISED PER ECR-16-017348	24FEB2017	RK	JL

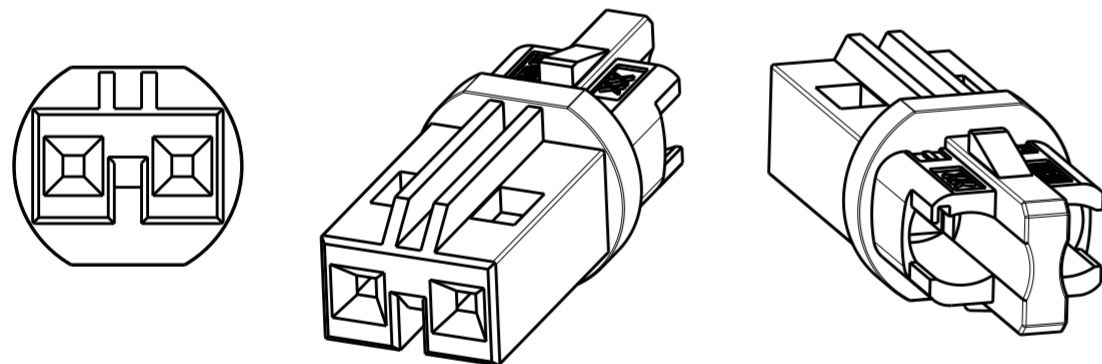


Remarks:

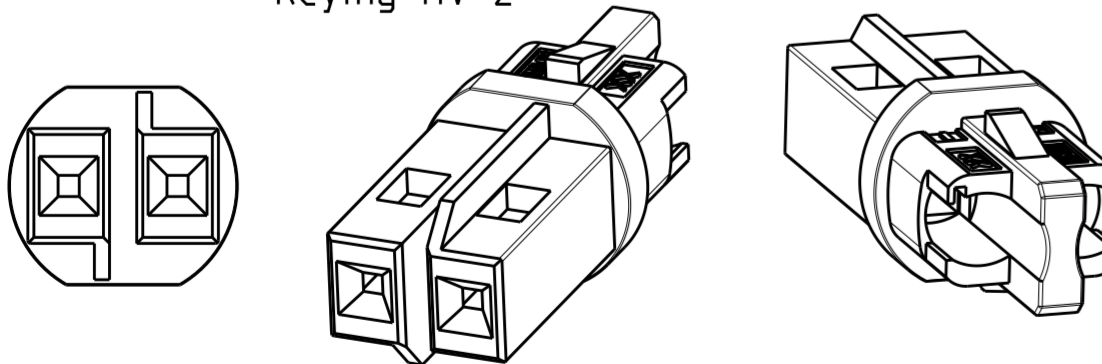
- 1. cavities designed for MQS socket contact PN 1740336-x
- 2. Counterpart is Outlet PN 293387-x
- 3. Polarity marking +/- permanent / usable for DC version
- 4. PN specific marking
- 5. P/N 293388-1 POLARIZATION HV-2 HAS TO BE USED FOR SWITCH APPLICATION ONLY
- 6. PBT, 15%GF, UL94 V0 WHITE COLUR

P/N 293388-1 AS SHOWN

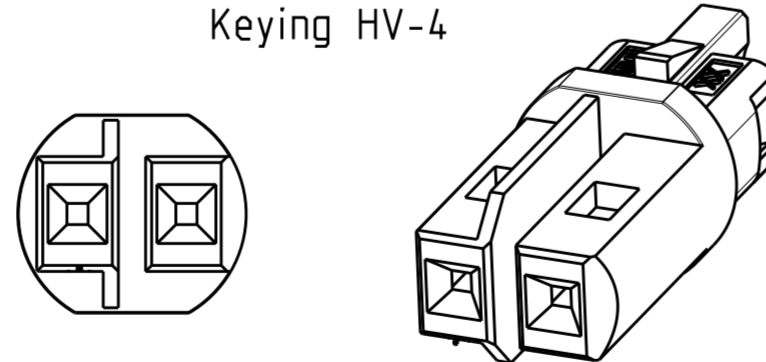
Keying LV-2



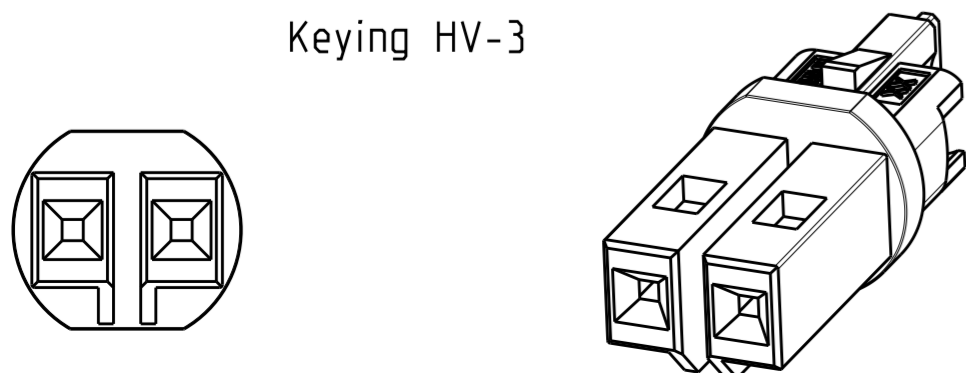
Keying HV-2



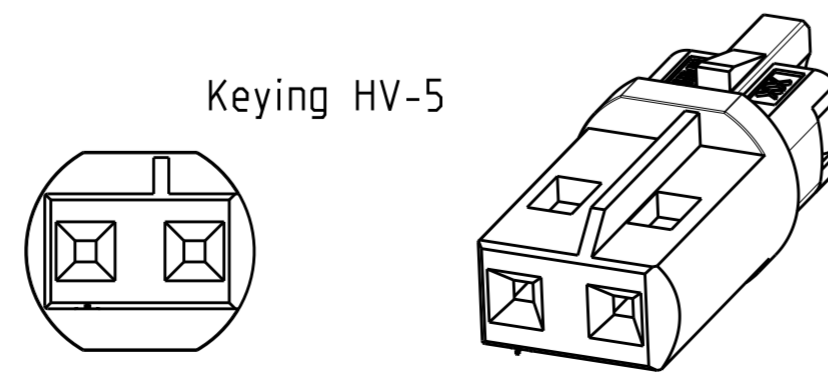
Keying HV-4



Keying HV-3



Keying HV-5



	LV-2	WHITE	6	LOW-VOLTAGE 125VAC/VDC	7A 125VAC/VDC =	293388-5
	HV-5	WHITE	6	HIGH-VOLTAGE 125V AC	6A/125V AC~	293388-4
	HV-4	WHITE	6	HIGH-VOLTAGE 125V AC	6A/125V AC~	293388-3
	HV-3	WHITE	6	HIGH-VOLTAGE 125V AC	6A/125V AC~	293388-2
5	HV-2	WHITE	6	HIGH-VOLTAGE 125V AC	6A/125V AC~	293388-1
Note	Keying	COLOR/MATERIAL	REMARKS	Marking 4		PN

THIS DRAWING IS A CONTROLLED DOCUMENT.

DIMENSIONS: mm	TOLERANCES UNLESS OTHERWISE SPECIFIED: 0 PLC ± 1 PLC ±0.2 2 PLC ± 3 PLC ± 4 PLC ± ANGLES ±° FINISH	DWN A. Vecchia 11FEB2009 CHK G. Turco 11FEB2009 APVD G. Turco 11FEB2009 PRODUCT SPEC APPLICATION SPEC	STE TE Connectivity
MATERIAL	WEIGHT 0.4 g	NAME NECTOR S CONNECTOR SYSTEM PLUG	RESTRICTED TO
CUSTOMER DRAWING	SCALE 4:1	SIZE A2 CAGE CODE 00779 DRAWING NO G-293388	SHEET 1 OF 1 REV G

## X-ON Electronics

Largest Supplier of Electrical and Electronic Components

*Click to view similar products for [Lighting Connectors](#) category:*

*Click to view products by [TE Connectivity](#) manufacturer:*

Other Similar products are found below :

[293300-7](#) [293660-5](#) [CNX\\_H03\\_NTP](#) [30-9767-BU](#) [3605](#) [3-21030-1](#) [ZCH-110-RGB-I](#) [503471-0290](#) [ZCH-110-RGB-J](#) [217-0716-200](#)  
[1954563-1](#) [1-293657-2](#) [2834036-1](#) [2834037-1](#) [1-2213222-4](#) [2-2213222-4](#) [2213222-4](#) [2834122-3](#) [2834122-5](#) [2834135-2](#) [FLA-R4142-30](#)  
[FLA-R4162-30](#) [FLA-R2142-30](#) [FLA-R2141-30](#) [FLA-R2162-30](#) [FLA-R2161-30](#) [FLA-R0161-30](#) [FLA-R0141-30](#) [FLA-R0162-30](#) [FLA-C00-](#)  
[00](#) [DGA00010553](#) [CNXV04NTP](#) [104128-0610](#) [503485-0000 \(Cut Strip\)](#) [503485-0000 \(Loose Piece\)](#) [503485-0000 \(MINI Reel\)](#) [1-2834074-2](#)  
[1-2834074-3](#) [1357-AC PLUG W2C \(CHINA\)](#) [1357-AC PLUG W2 \(USA\)](#) [104266-0110](#) [2106212-1](#) [2-2834074-2](#) [104266-0210](#) [293470-1](#)  
[293651-2](#) [293651-4](#) [1-2834006-2](#) [293651-1](#) [2213142-3](#)