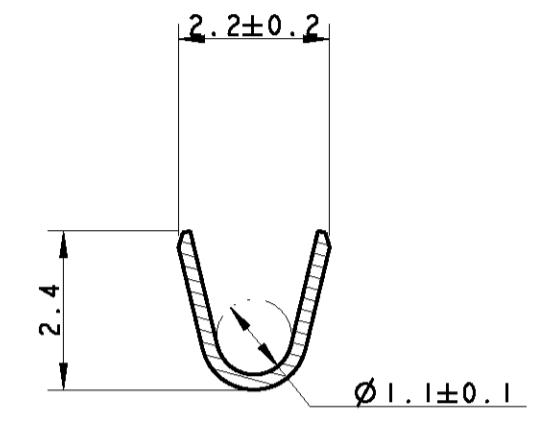
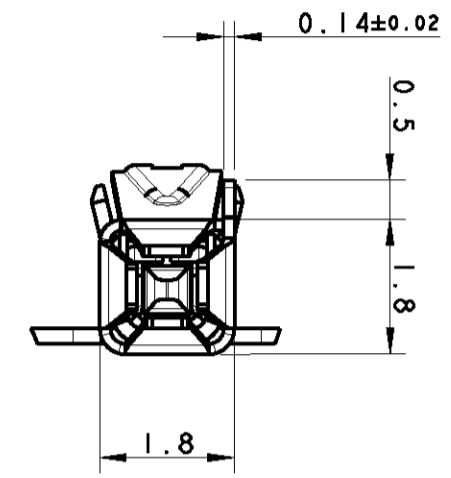
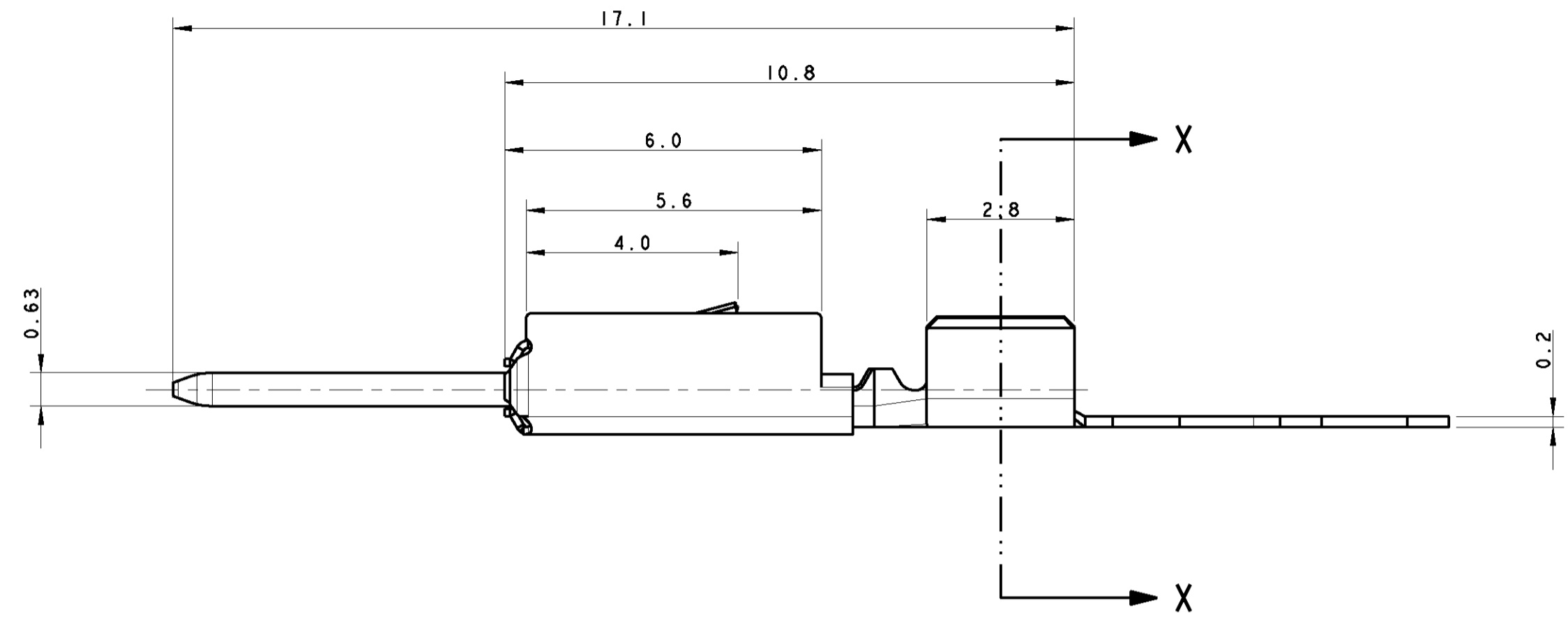
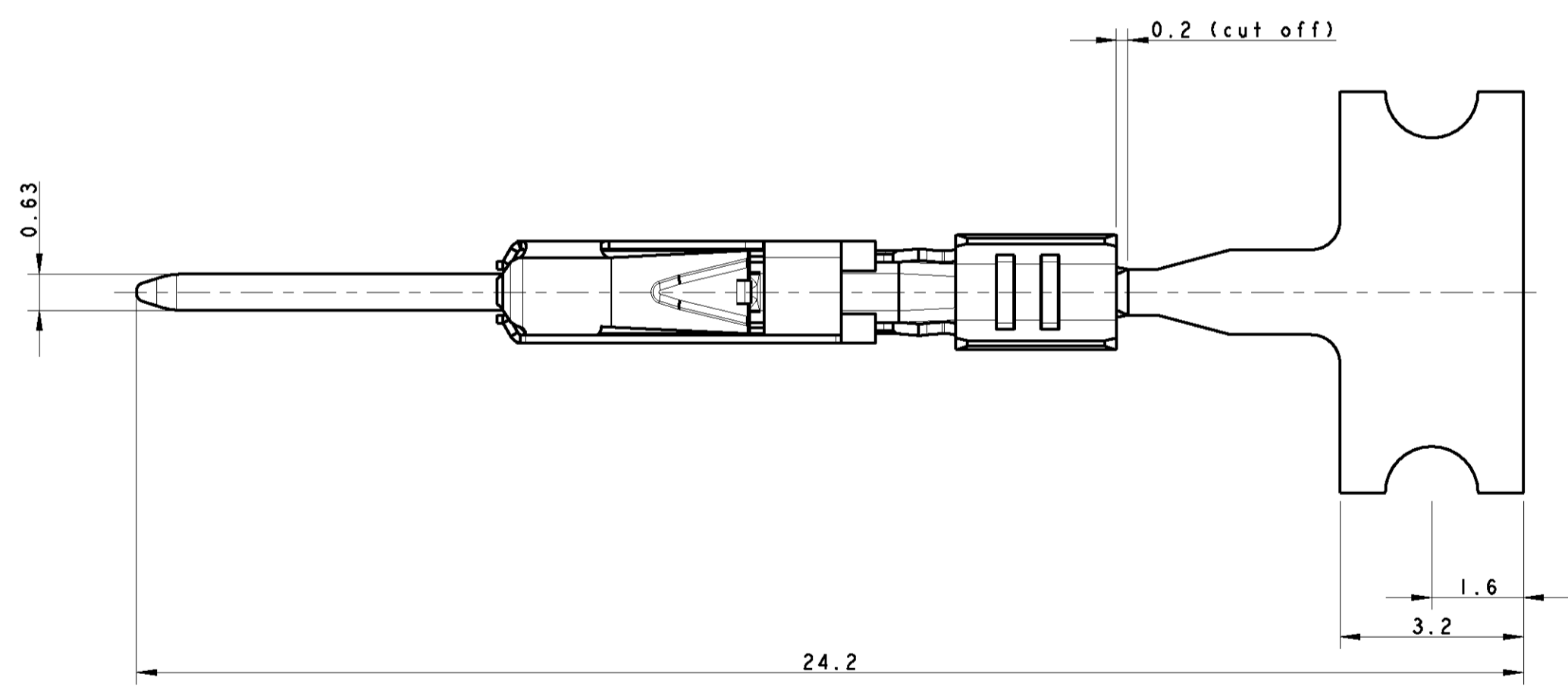


THIS DRAWING IS UNPUBLISHED. RELEASED FOR PUBLICATION 2009  
 © COPYRIGHT 2009 BY TYCO ELECTRONICS CORPORATION. ALL INTERNATIONAL RIGHTS RESERVED.

LOC		DIST		REVISIONS			
P	LTR	DESCRIPTION	DATE	DWN	APVD		
A		FIRST ISSUE	12FEB2009	AV	GT		

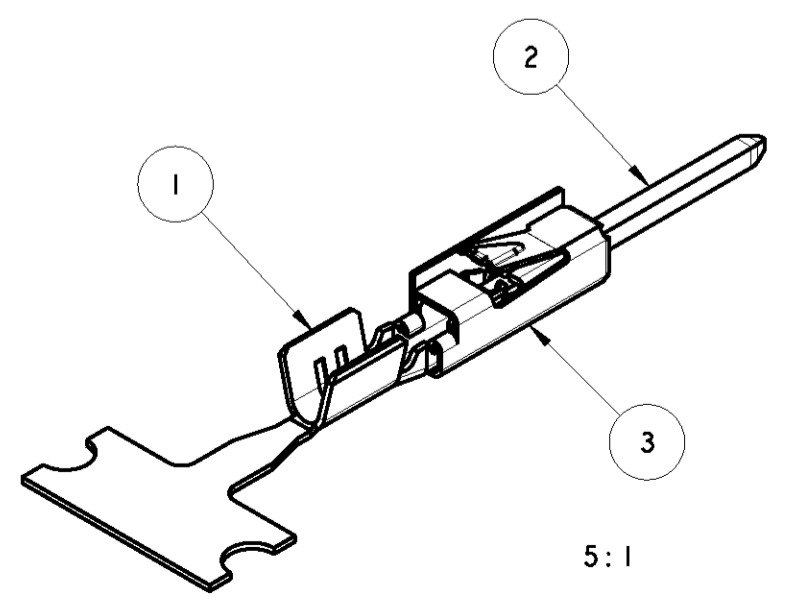


SECTION X-X



- NOTES:
- SUITABLE FOR SOCKET CONTACT 293390
  - CONTACT ACCEPTS WIRE SIZE 18 AWG
  - SEMI-AUTOMATIC TOOL AND HAND TOOL (EACH FOR 2 CRIMPS IN ONE CYCLE) TO BE DEVELOPED
  - STRIPPED CABLE LENGTH FOR CRIMP IS 3.5mm
  - WEIGHT ABOUT 0.12g
  - DIE FEED 7.0mm
  - REELED ON PAPER-REEL

PRELIMINARY PART- NOT RELEASED FOR PRODUCTION



8	NOT AVAILABLE	293389-1	A	WITH SPRING	3	SPRING	M	steel	
	DIRECTION OFF TOP OF REEL	LOOSE PIECE	PART NO	REV	DESCRIPTION	2	PIN	A	CuNi3Si, (PRE TIN)
						1	BODY	A	CuNiSi AMP SPEC.100-1230 OR 100-1086 TIN PLATED
MATERIAL									

DIRECTIONS: mm		TOLERANCES UNLESS OTHERWISE SPECIFIED:		DWN 12FEB2009	Tyco Electronics		Tyco Electronics AMP Italia S.r.l.		
0 PLC	±	0.2		CHK 12FEB2009	NAME		MICRO QUADLOK SYSTEM		
1 PLC	±	0.15		APVD 12FEB2009	SIZE		PIN CONTACT		
2 PLC	±			PRODUCT SPEC	CAGE CODE		DRAWING NO		
3 PLC	±			APPLICATION SPEC	WEIGHT		RESTRICTED TO		
4 PLC	±			FINISH	0.12g		-		
MATERIAL		SEE TABLE		CUSTOMER DRAWING		SCALE 10:1		SHEET 1 OF 1	

## X-ON Electronics

Largest Supplier of Electrical and Electronic Components

*Click to view similar products for [Lighting Connectors](#) category:*

*Click to view products by [TE Connectivity](#) manufacturer:*

Other Similar products are found below :

[293300-7](#) [293660-5](#) [CNX\\_H03\\_NTP](#) [30-9767-BU](#) [3605](#) [3-21030-1](#) [ZCH-110-RGB-I](#) [503471-0290](#) [ZCH-110-RGB-J](#) [217-0716-200](#)  
[1954563-1](#) [1-293657-2](#) [2834036-1](#) [2834037-1](#) [1-2213222-4](#) [2-2213222-4](#) [2213222-4](#) [2834122-3](#) [2834122-5](#) [2834135-2](#) [FLA-R4142-30](#)  
[FLA-R4162-30](#) [FLA-R2142-30](#) [FLA-R2141-30](#) [FLA-R2162-30](#) [FLA-R2161-30](#) [FLA-R0161-30](#) [FLA-R0141-30](#) [FLA-R0142-30](#) [FLA-](#)  
[R0162-30](#) [FLA-C00-00](#) [DGA00010553](#) [CNXV04NTP](#) [104128-0610](#) [503485-0000 \(Cut Strip\)](#) [503485-0000 \(Loose Piece\)](#) [503485-0000](#)  
[\(MINI Reel\)](#) [1-2834074-2](#) [1-2834074-3](#) [1357-AC PLUG W2C \(CHINA\)](#) [1357-AC PLUG W2 \(USA\)](#) [104266-0110](#) [2106212-1](#) [2-2834074-2](#)  
[104266-0210](#) [293470-1](#) [293651-2](#) [293651-4](#) [1-2834006-2](#) [293651-1](#)