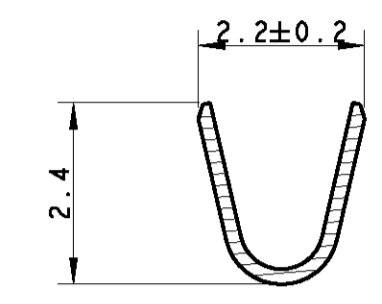
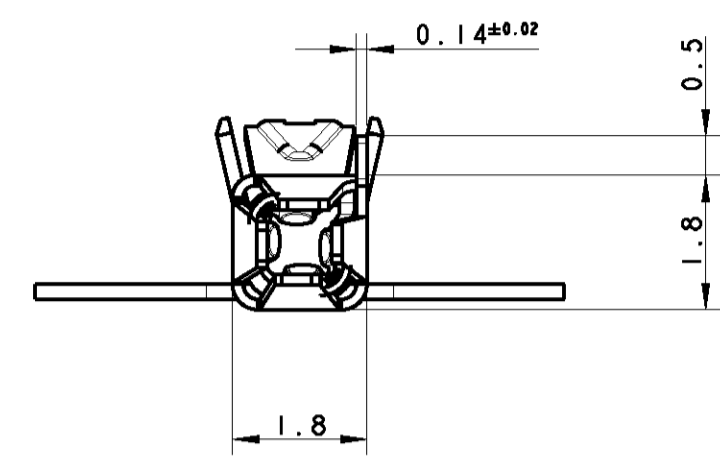
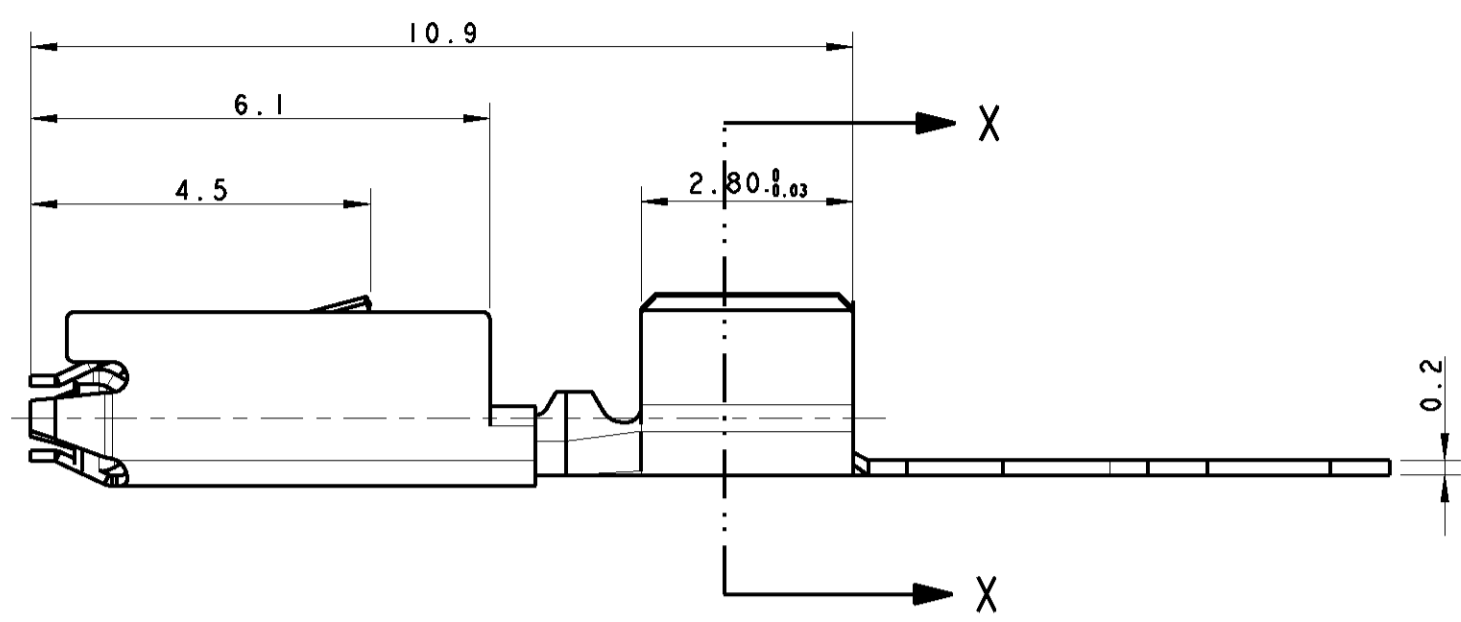
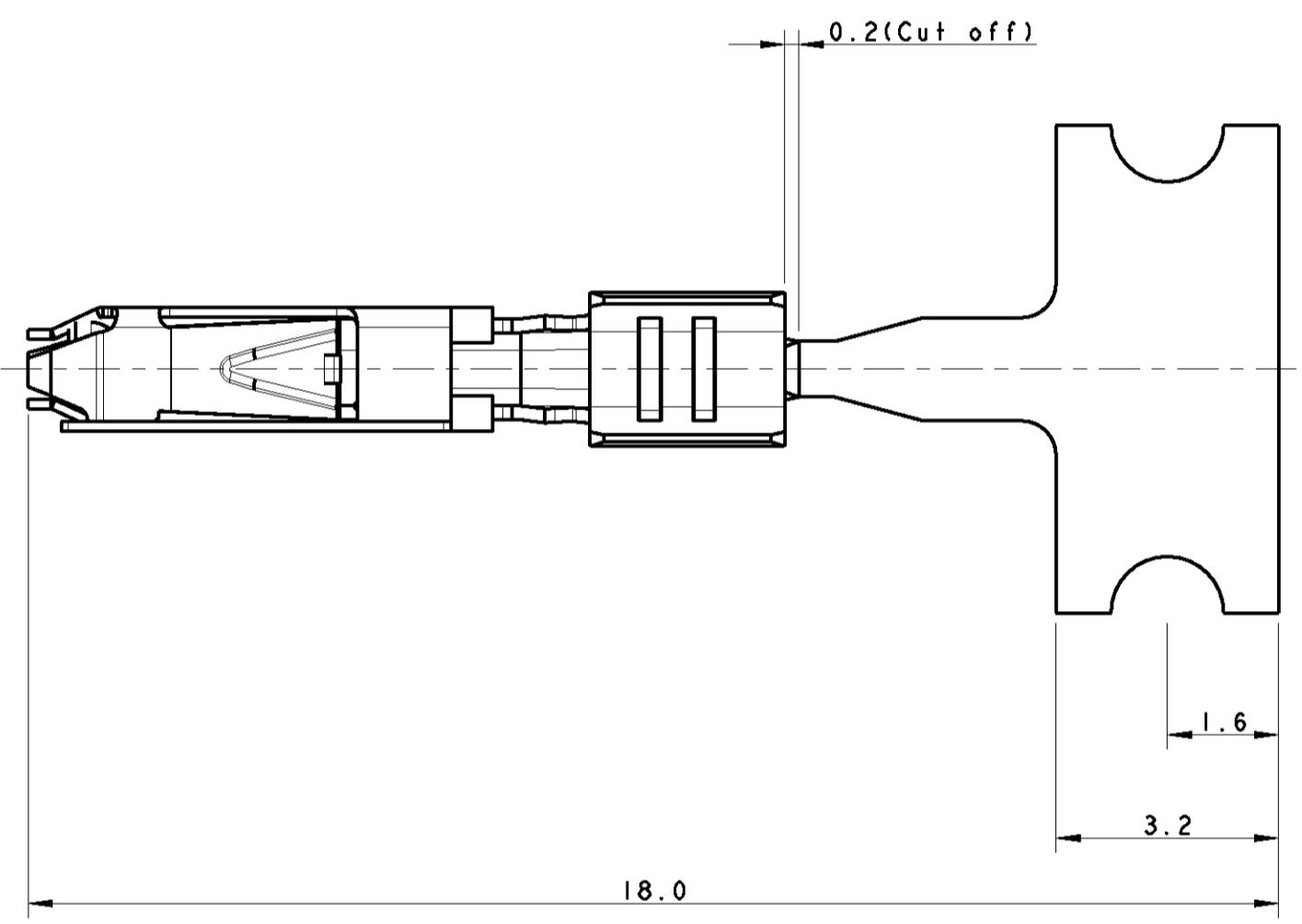


THIS DRAWING IS UNPUBLISHED. RELEASED FOR PUBLICATION 2009  
 © COPYRIGHT 2009 BY TYCO ELECTRONICS CORPORATION. ALL INTERNATIONAL RIGHTS RESERVED.

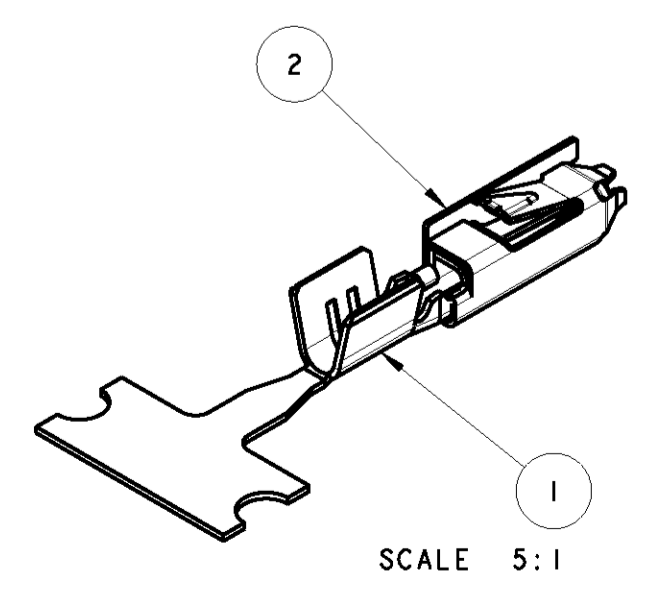
LOC	DIST	REVISIONS			
P	LTR	DESCRIPTION	DATE	DWN	APVD
A		FIRST ISSUE	12FEB2009	AV	GT
C		UPDATED PART REVISION	24FEB2011	AV	GT



SECTION X - X



- NOTES:
- SUITABLE FOR SOCKET CONTACT 293389
  - CONTACT ACCEPTS WIRE SIZE 18 AWG
  - SEMI-AUTOMATIC TOOL AND HAND TOOL (EACH FOR 2 CRIMPS IN ONE CYCLE) TO BE DEVELOPED
  - STRIPPED CABLE LENGTH FOR CRIMP IS 3.5mm
  - WEIGHT ABOUT 0.12g
  - DIE FEED 7.0mm
  - REELED ON PAPER-REEL



SCALE 5:1

8	NOT AVAILABLE	293390-1	C	2	SPRING	A	STEEL	
				1	BODY	B	CuNiSi AMP-Spec. 100-1230 or 112-18011	TIN PLATED
DIRECTION OFF TOP OF REEL	LOOSE PIECE	PART NO	REV	POS	DESCRIPTION	REV	MATERIAL	FINISH
THIS DRAWING IS A CONTROLLED DOCUMENT FOR TYCO ELECTRONICS CORPORATION. IT IS SUBJECT TO CHANGE AND THE CONTROLLING ENGINEERING ORGANIZATION SHOULD BE CONTACTED FOR THE LATEST REVISION.		DWN	12FEB2009	Tyco Electronics AMP Italia S.r.l. 10093 Collegno TO				
DIMENSIONS: mm		CHK	12FEB2009	NAME: MICRO QUADLOK SYSTEM SOCKET CONTACT				
TOLERANCES UNLESS OTHERWISE SPECIFIED:		APVD	12FEB2009	PRODUCT SPEC: 108-20294				
0 PLC ±		APPLICATION SPEC: 114-20140						
1 PLC ±0.2		WEIGHT: 0.12g						
2 PLC ±0.15		SIZE: A200779 CAGE CODE: G-293390						
3 PLC ±		SCALE: 10:1 SHEET 1 OF 1 REV C						
4 PLC ±		CUSTOMER DRAWING						
ANGLES ±°								
FINISH								

DIRECTION OFF TOP OF REEL  
 Fertig-zustand  
 8  
 107-3(Fig.1)

## X-ON Electronics

Largest Supplier of Electrical and Electronic Components

*Click to view similar products for [Lighting Connectors](#) category:*

*Click to view products by [TE Connectivity](#) manufacturer:*

Other Similar products are found below :

[293300-7](#) [293660-5](#) [CNX\\_H03\\_NTP](#) [30-9767-BU](#) [3605](#) [3-21030-1](#) [ZCH-110-RGB-I](#) [503471-0290](#) [ZCH-110-RGB-J](#) [217-0716-200](#)  
[1954563-1](#) [1-293657-2](#) [2834036-1](#) [2834037-1](#) [1-2213222-4](#) [2-2213222-4](#) [2213222-4](#) [2834122-3](#) [2834122-5](#) [2834135-2](#) [FLA-R4142-30](#)  
[FLA-R4162-30](#) [FLA-R2142-30](#) [FLA-R2141-30](#) [FLA-R2162-30](#) [FLA-R2161-30](#) [FLA-R0161-30](#) [FLA-R0141-30](#) [FLA-R0142-30](#) [FLA-](#)  
[R0162-30](#) [FLA-C00-00](#) [DGA00010553](#) [CNXV04NTP](#) [104128-0610](#) [503485-0000 \(Cut Strip\)](#) [503485-0000 \(Loose Piece\)](#) [503485-0000](#)  
[\(MINI Reel\)](#) [1-2834074-2](#) [1-2834074-3](#) [1357-AC PLUG W2C \(CHINA\)](#) [1357-AC PLUG W2 \(USA\)](#) [104266-0110](#) [2106212-1](#) [2-2834074-2](#)  
[104266-0210](#) [293470-1](#) [293651-2](#) [293651-4](#) [1-2834006-2](#) [293651-1](#)