

THIS DRAWING IS UNPUBLISHED. RELEASED FOR PUBLICATION 2008  
 © COPYRIGHT 2008 BY TYCO ELECTRONICS CORPORATION. ALL RIGHTS RESERVED.

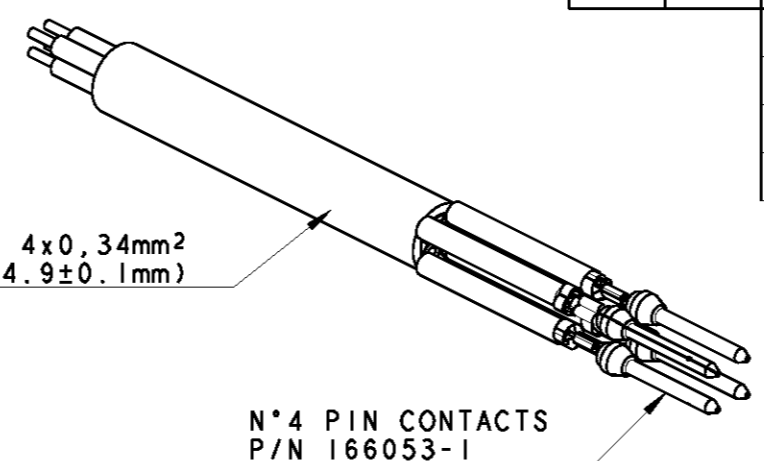
LOC	DIST	REVISIONS			
P	LTR	DESCRIPTION	DATE	DWN	APVD
I	-	A	FIRST ISSUE	12SEP2008	D.C. G.T.
		A8	REVISED: DRAWING FOR EUROPE VERSIONS	08APR2010	D.C. G.T.
		A9	REVISED: CHANGED SALES CONDITIONS	30AUG2010	D.C. G.T.
		B	RELEASED FOR PRODUCTION	30NOV2010	D.C. G.T.



**ASSEMBLED CONNECTOR**

VOLTAGE: < 30V r.m.s. (42V PEAK)  
 MAXIMUM CURRENT: 2A PER WAY (FULL LOADED)

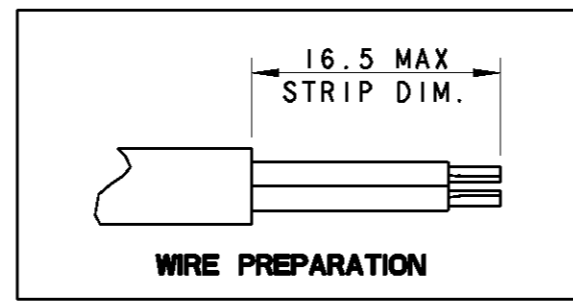
CABLE LiYY 4x0,34mm<sup>2</sup>  
 (INSULATION DIAMETER 4.9±0.1mm)



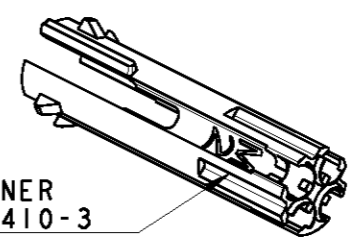
N°4 PIN CONTACTS  
 P/N 166053-1

**MOUNTING OVERVIEW**

CONTACTS MUST BE MOUNTED ON THE POSITIONER BEFORE TO INSERT THEM INTO THE HOUSING. MOUNTING SHALL BE ACCORDING TO THE TYCO ELECTRONICS APPLICATION SPEC. 114-20147.

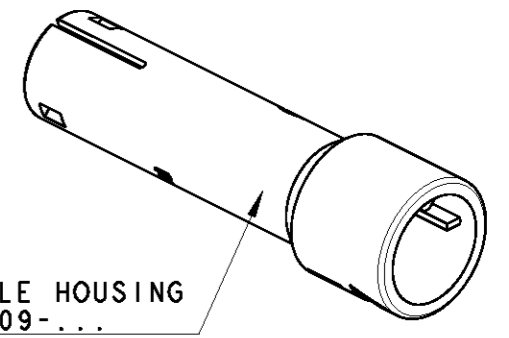


**WIRE PREPARATION**



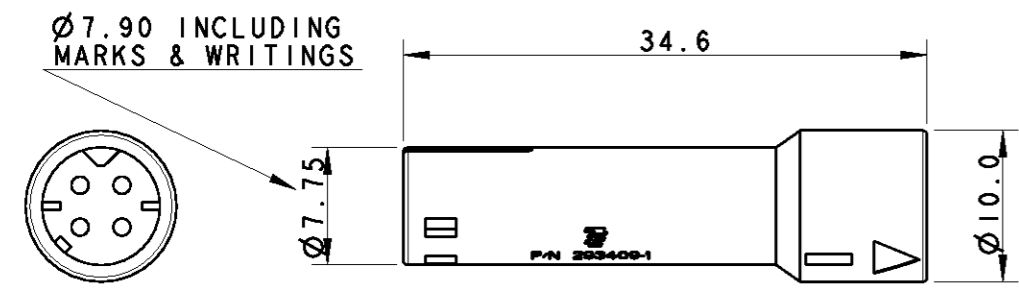
POSITIONER  
 P/N 293410-3

THE PRESENTED PRODUCT / DESIGN WILL BE RELEASED FOR THE MANUFACTURING OF THE NECESSARY PRODUCTION TOOLS HEREBY. FURTHER CHANGES HAS TO BE PAYED BY CUSTOMER.  
 .....  
 DATE, SIGN OF THE CUSTOMER



RECEPTACLE HOUSING  
 P/N 293409-...

MALE HOUSING (N° 3 VERSIONS):  
 - P/N 293409-1 (REV. B) IN WHITE COLOUR  
 - P/N 293409-2 (REV. B) IN BLACK COLOUR  
 - P/N 293409-3 (REV. B) IN GRAY COLOUR



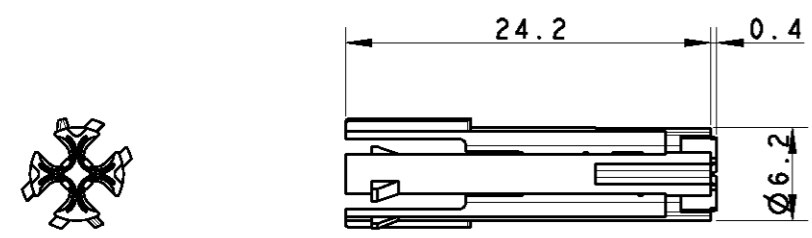
KEYING POLARIZATION FOR  
 P/N 293409-1 (WHITE VERSIONS)  
 AND FOR  
 P/N 293409-2 (BLACK VERSIONS)

KEYING POLARIZATION FOR  
 P/N 293409-3 (GRAY VERSIONS)

PACKAGING: N° 1500 PCS INTO CARTON BOX, ACCORDING TO PACKAGING SPEC. 107-20289.

MALE HOUSING P/N	POSITIONER P/N	PART NUMBER (KIT)	REV.
293409-3	293410-3	293412-3 (GRAY VERSION)	B
293409-2	293410-3	293412-2 (BLACK VERSION)	B
293409-1	293410-3	293412-1 (WHITE VERSION)	B

POSITIONER (N° 1 VERSION):  
 - P/N 293410-3 (REV. B), IN GRAY COLOUR



THIS DRAWING IS A CONTROLLED DOCUMENT FOR TYCO ELECTRONICS CORPORATION IT IS SUBJECT TO CHANGE AND THE CONTROLLING ENGINEERING ORGANIZATION SHOULD BE CONTACTED FOR THE LATEST REVISION.

DIMENSIONS:		TOLERANCES UNLESS OTHERWISE SPECIFIED:	
mm			
0 PLC	±0.5		
1 PLC	±0.3		
2 PLC	±0.2		
3 PLC	±		
4 PLC	±		
ANGLES	±		
MATERIAL	FINISH		
PLASTIC PARTS: PA, ACC. TO GLOW WIRE 750°C NO FLAME	-		

DWN	12SEP2008
D. CHIARELLI	
CHK	12SEP2008
D. CHIARELLI	
APVD	12SEP2008
G. TURCO	
PRODUCT SPEC	108-20293
APPLICATION SPEC	114-20147
WEIGHT	-
CUSTOMER DRAWING	

**Tyco Electronics** Tyco Electronics AMP Italia S.r.l.  
 C.so F.lli Cervi, 15 - Collegno (TO)

**4 POS. LOW VOLTAGE, FREE HANGING, MALE CONNECTOR FOR EUROPE MARKET**

SIZE	CAGE CODE	DRAWING NO	RESTRICTED TO
A	00779	C-293412	-

SCALE 2:1 SHEET 1 OF 1 REV B

## X-ON Electronics

Largest Supplier of Electrical and Electronic Components

*Click to view similar products for [Lighting Connectors](#) category:*

*Click to view products by [TE Connectivity](#) manufacturer:*

Other Similar products are found below :

[21061-9](#) [293300-7](#) [2106117-2](#) [293660-5](#) [293700-2](#) [CNX\\_H03\\_NTP](#) [30-9767-BU](#) [3-21030-1](#) [ZCH-110-RGB-I](#) [503471-0290](#) [ES5P09K4F2](#)  
[CNXH02NTP](#) [ZCH-110-RGB-J](#) [217-0716-200](#) [192992-0057](#) [1954563-1](#) [217-3030-000](#) [217-3032-000](#) [237-0734-003](#) [DTS24W25-20PN-LC](#)  
[1-2213614-2](#) [2834049-3](#) [ES9S002SZZ](#) [2834049-2](#) [2-2834067-3](#) [1-293657-2](#) [2834049-1](#) [293699-2](#) [293701-3](#) [1-2213614-3](#) [2834036-1](#)  
[2834037-1](#) [2213614-3](#) [2307526-2](#) [2-2106124-3](#) [2-2834068-3](#) [FLS2SC4001BP](#) [FLSC80352000](#) [FLSC80354000](#) [FLSC80353000](#) [FLSSB8002](#)  
[FLSSB8001](#) [FLSC80351000](#) [FLSC80355000](#) [FLSSB4001](#) [FLSC80504000](#) [FLSC80502000](#) [FLSC80501000](#) [FLSSR4001](#) [FLSC80503000](#)