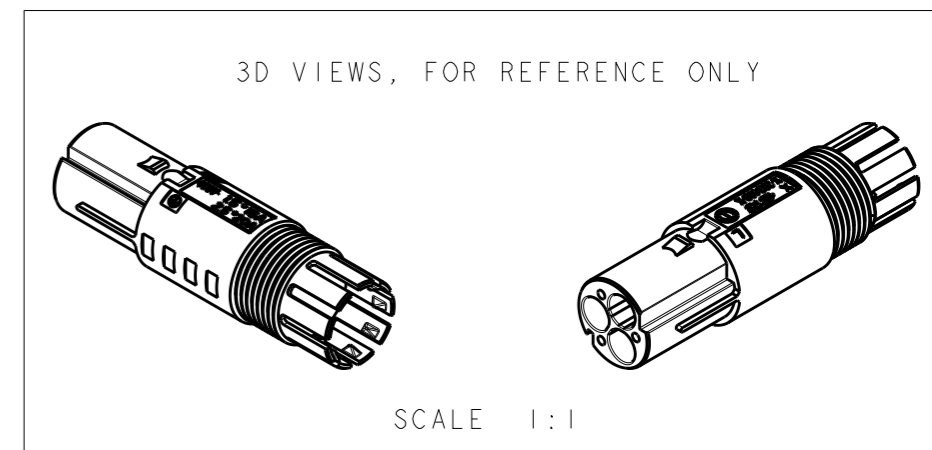
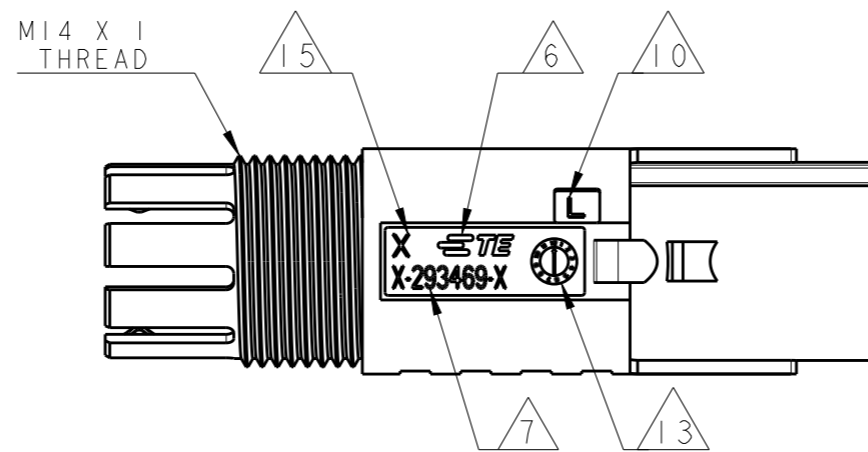
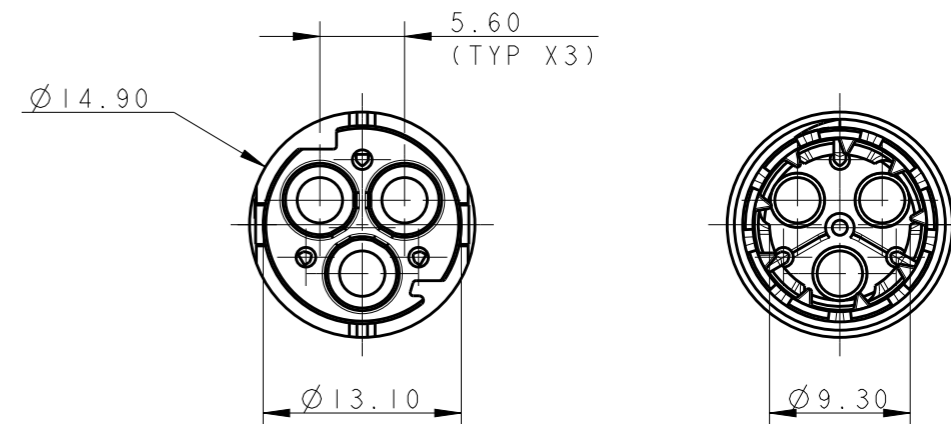
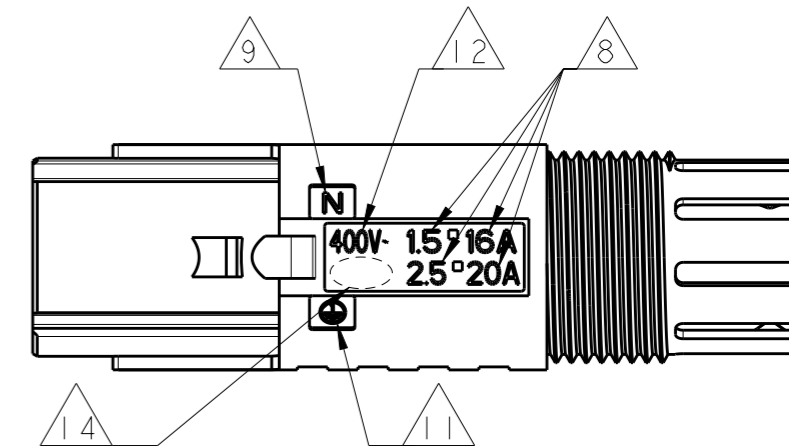
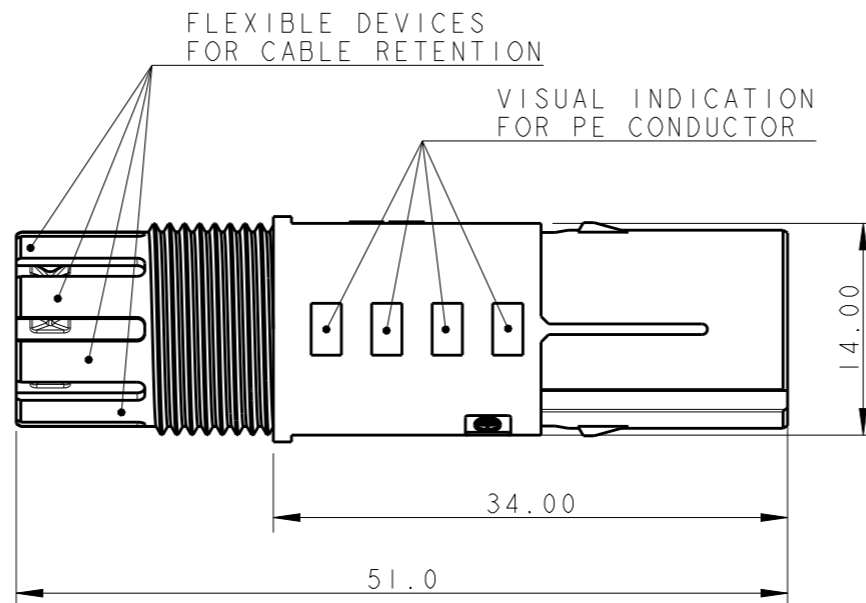


THIS DRAWING IS UNPUBLISHED. RELEASED FOR PUBLICATION 2010  
 © COPYRIGHT 2010 Tyco Electronics AMP GmbH ALL RIGHTS RESERVED.


LOC	DIST	REVISIONS			
P	LTR	DESCRIPTION	DATE	DWN	APVD
	G1	REVISED MARKINGS	05NOV2012	MZ	JC
	G2	PARTS -2, -3, 1-2, 1-3 RELEASED FOR PRODUCTION	26JUN2013	KR	JC
	G3	REVISED PART NUMBERS	21JUL2017	SK	ZM
	G4	REVISED PER ECR-18-006945	20SEP2018	SR	MZ

NOTES:

- 1) MATERIAL: POLYAMIDE GLASS FILLED  
COLOUR NATURAL
- 2) MATERIAL: POLYAMIDE GLASS FILLED  
COLOUR BLACK
- 3) NET WEIGHT: ~4.8 g
- 4) VOLUME: ~3450 mm<sup>3</sup>
- 5) PACKAGING: SEE TE PACKAGING SPECIFICATION  
107-20294
- 6) TE LOGO
- 7) TE PART NUMBER
- 8) CONDUCTOR SIZE AND CURRENT RATING
- 9) N CODE
- 10) L CODE
- 11) PE CODE
- 12) RATED VOLTAGE
- 13) DATE CODE
- 14) AREA FOR AGENCY APPROVAL LOGO
- 15) CAVITY MOULD ID
- 16) PART NOT YET TOOLED AND RELEASED  
FOR PRODUCTION



17) FOR CABLE TYPE AND CABLE RANGE REFER TO CUSTOMER DRAWING 293607

THIS DRAWING IS A CONTROLLED DOCUMENT.		DWN M. ZUCCA 06OCT2009	 TE Connectivity	
DIMENSIONS: mm		CHK M. ZUCCA 06OCT2009		
TOLERANCES UNLESS OTHERWISE SPECIFIED:		APVD G. TURCO 06OCT2009	NAME PIN HOUSING FREE HANGING NECTOR* M-LINE 3 POSITIONS UNSEALED VERSION	
0 PLC ±0.3		PRODUCT SPEC 108-20304	SIZE CAGE CODE DRAWING NO RESTRICTED TO	
1 PLC ±0.20		APPLICATION SPEC 114-20152	A300779 C-293469	
2 PLC ±0.20		WEIGHT NOTE 3	SCALE 2:1 SHEET 1 OF 2 REV G4	
3 PLC ±0.20		Customer Drawing		
4 PLC ±0.20				
ANGLES ±3°				
FINISH -				
MATERIAL SEE NOTES				

THIS DRAWING IS UNPUBLISHED.

RELEASED FOR PUBLICATION

2010

© COPYRIGHT 2010

Tyco Electronics AMP GmbH

ALL RIGHTS RESERVED.

LOC

DIST

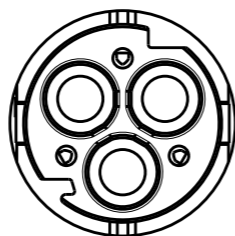
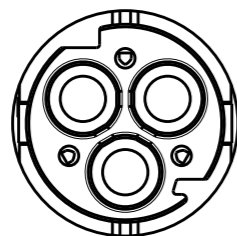
REVISIONS

P	LTR	DESCRIPTION	DATE	DWN	APVD
	-	SEE SHEET 1	-	-	-

### POLARIZATION TYPES

TYPE "A"

TYPE "B"

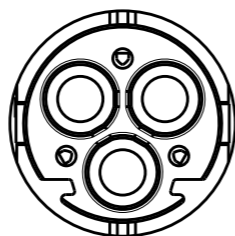
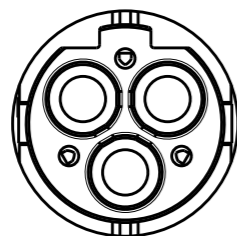


P/Ns: 0-293469-1,  
1-293469-1

P/Ns: 0-293469-2,  
1-293469-2

TYPE "C"

TYPE "D"



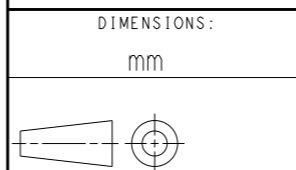
P/Ns: 0-293469-3,  
1-293469-3

P/Ns: ~~0-293469-4,~~  
~~1-293469-4~~

### TABLE 1

OBSOLETE		D	BLACK	PIN HOUSING FREE HANGING VERSION NECTOR* M-LINE	F	<del>1-293469-4</del>
		C	BLACK	PIN HOUSING FREE HANGING VERSION NECTOR* M-LINE	G	1-293469-3
		B	BLACK	PIN HOUSING FREE HANGING VERSION NECTOR* M-LINE	G	1-293469-2
		A	BLACK	PIN HOUSING FREE HANGING VERSION NECTOR* M-LINE	G	1-293469-1
OBSOLETE		D	NATURAL	PIN HOUSING FREE HANGING VERSION NECTOR* M-LINE	F	<del>0-293469-4</del>
		C	NATURAL	PIN HOUSING FREE HANGING VERSION NECTOR* M-LINE	G	0-293469-3
		B	NATURAL	PIN HOUSING FREE HANGING VERSION NECTOR* M-LINE	G	0-293469-2
		A	NATURAL	PIN HOUSING FREE HANGING VERSION NECTOR* M-LINE	G	0-293469-1
NOTE		POL. KEYING	COLOUR	DESCRIPTION	REV.	PART NUMBER

THIS DRAWING IS A CONTROLLED DOCUMENT.



MATERIAL SEE NOTES

DIMENSIONS:		TOLERANCES UNLESS OTHERWISE SPECIFIED:	
	mm		
0 PLC	±0.3	1 PLC	±0.20
2 PLC	±0.20	3 PLC	±0.20
3 PLC	±0.20	4 PLC	±0.20
4 PLC	±0.20	ANGLES	±3°
FINISH	-		

DWN	M. ZUCCA	06OCT2009
CHK	M. ZUCCA	06OCT2009
APVD	G. TURCO	06OCT2009
PRODUCT SPEC	108-20304	
APPLICATION SPEC	114-20152	
WEIGHT	NOTE 3	

**STE** TE Connectivity

NAME: PIN HOUSING FREE HANGING NECTOR\* M-LINE 3 POSITIONS UNSEALED VERSION

SIZE	CAGE CODE	DRAWING NO	RESTRICTED TO
A3	00779	G-293469	-

## X-ON Electronics

Largest Supplier of Electrical and Electronic Components

*Click to view similar products for [Lighting Connectors](#) category:*

*Click to view products by [TE Connectivity](#) manufacturer:*

Other Similar products are found below :

[293300-7](#) [293660-5](#) [CNX\\_H03\\_NTP](#) [30-9767-BU](#) [3605](#) [3-21030-1](#) [ZCH-110-RGB-I](#) [503471-0290](#) [ZCH-110-RGB-J](#) [217-0716-200](#)  
[1954563-1](#) [1-293657-2](#) [2834036-1](#) [2834037-1](#) [1-2213222-4](#) [2-2213222-4](#) [2213222-4](#) [2834122-3](#) [2834122-5](#) [2834135-2](#) [FLA-R4142-30](#)  
[FLA-R4162-30](#) [FLA-R2142-30](#) [FLA-R2141-30](#) [FLA-R2162-30](#) [FLA-R2161-30](#) [FLA-R0161-30](#) [FLA-R0141-30](#) [FLA-R0142-30](#) [FLA-](#)  
[R0162-30](#) [FLA-C00-00](#) [DGA00010553](#) [CNXV04NTP](#) [104128-0610](#) [503485-0000 \(Cut Strip\)](#) [503485-0000 \(Loose Piece\)](#) [503485-0000](#)  
[\(MINI Reel\)](#) [1-2834074-2](#) [1-2834074-3](#) [1357-AC PLUG W2C \(CHINA\)](#) [1357-AC PLUG W2 \(USA\)](#) [104266-0110](#) [CNXV02NTP](#) [2106212-1](#)  
[2-2834074-2](#) [104266-0210](#) [293470-1](#) [293651-2](#) [293651-4](#) [1-2834006-2](#)