


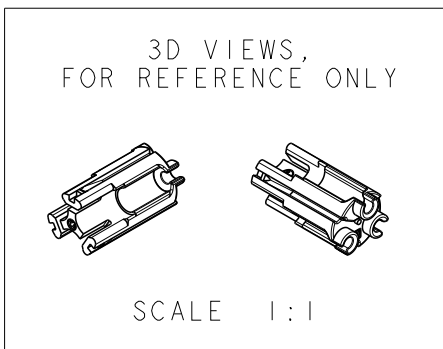
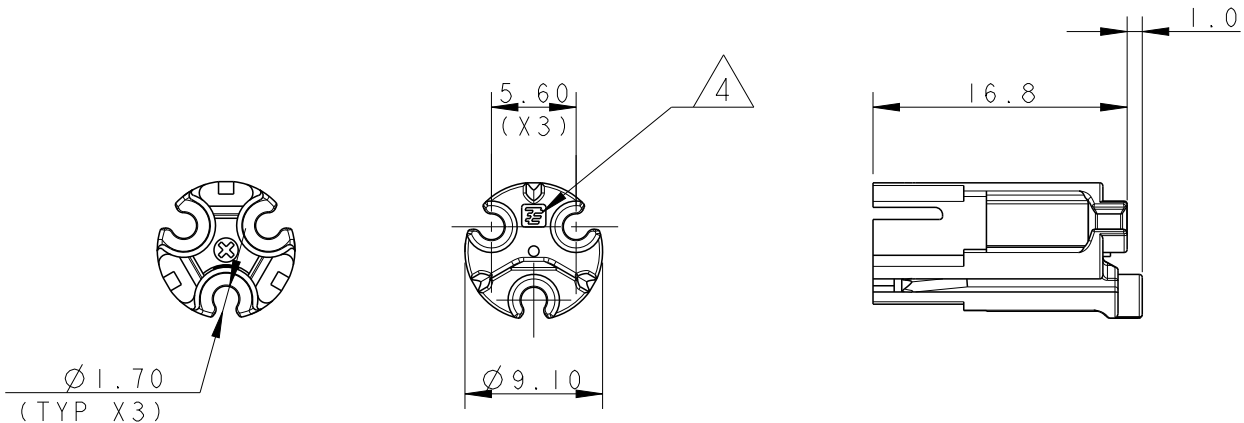
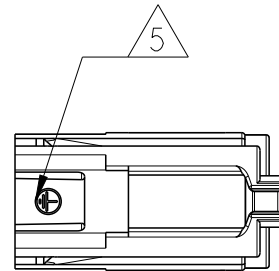



LOC	DIST	REVISIONS					
		P	LTR	DESCRIPTION	DATE	DWN	APVD
1	-		F I	REVISED	07NOV2012	MZ	JC
			G	REVISED AS PER ECR-15-009980	07JUL2015	RS	JL
			H	REVISED AS PER ECR-16-004384	07APR2016	RS	JL
			HI	REVISED AS PER ECR-16-006076	27APR2016	RS	JL

NOTES:

- 1) MATERIAL: POLYAMIDE GLASS FILLED  
COLOUR: NATURAL
- 2) PACKAGING: SEE TE PACKAGING SPECIFICATION 107-20294

-  INTERIM PART NUMBER
-  TE LOGO
-  PE SYMBOL FOR CAVITY IDENTIFICATION




NATURAL	LOCKING FOR CONTACTS NECTOR* M-LINE	-	293470-2
NATURAL	LOCKING FOR CONTACTS NECTOR* M-LINE		293470-1
COLOUR	DESCRIPTION	NOTE	PART NUMBER

RELEASED FOR PUBLICATION 2010

Tyco Electronics AMP GmbH ALL RIGHTS RESERVED.

© COPYRIGHT 2010

THIS DRAWING IS UNPUBLISHED.

DIMENSIONS: mm	DWN M. ZUCCA 16OCT2009	MATERIAL	NOTE 1	FINISH	-
TOLERANCES UNLESS OTHERWISE SPECIFIED:	CHK M. ZUCCA 16OCT2009	 TE Connectivity			
0 PLC ±-	APVD G. TURCO 16OCT2009				
1 PLC ±0.3	PRODUCT SPEC	NAME LOCKING FOR CONTACTS NECTOR* M-LINE			
2 PLC ±0.20	108-20304	SIZE	CAGE CODE	DRAWING NO	RESTRICTED TO
3 PLC ±-	APPLICATION SPEC	A 4	00779	C-293470	-
4 PLC ±-	114-20152	CUSTOMER DRAWING			
ANGLES ±3°	WEIGHT -	SCALE 2:1		SHEET 1 OF 1	REV HI

## X-ON Electronics

Largest Supplier of Electrical and Electronic Components

*Click to view similar products for [Lighting Connectors](#) category:*

*Click to view products by [TE Connectivity](#) manufacturer:*

Other Similar products are found below :

[293300-7](#) [293660-5](#) [CNX\\_H03\\_NTP](#) [30-9767-BU](#) [3605](#) [3-21030-1](#) [ZCH-110-RGB-I](#) [503471-0290](#) [ZCH-110-RGB-J](#) [217-0716-200](#)  
[1954563-1](#) [1-293657-2](#) [2834036-1](#) [2834037-1](#) [1-2213222-4](#) [2-2213222-4](#) [2213222-4](#) [2834122-3](#) [2834122-5](#) [2834135-2](#) [FLA-R4142-30](#)  
[FLA-R4162-30](#) [FLA-R2142-30](#) [FLA-R2141-30](#) [FLA-R2162-30](#) [FLA-R2161-30](#) [FLA-R0161-30](#) [FLA-R0141-30](#) [FLA-R0142-30](#) [FLA-](#)  
[R0162-30](#) [FLA-C00-00](#) [DGA00010553](#) [CNXV04NTP](#) [104128-0610](#) [503485-0000 \(Cut Strip\)](#) [503485-0000 \(Loose Piece\)](#) [503485-0000](#)  
[\(MINI Reel\)](#) [1-2834074-2](#) [1-2834074-3](#) [1357-AC PLUG W2C \(CHINA\)](#) [1357-AC PLUG W2 \(USA\)](#) [104266-0110](#) [CNXV02NTP](#) [2106212-1](#)  
[2-2834074-2](#) [104266-0210](#) [293470-1](#) [293651-2](#) [293651-4](#) [1-2834006-2](#)