

THIS DRAWING IS UNPUBLISHED.

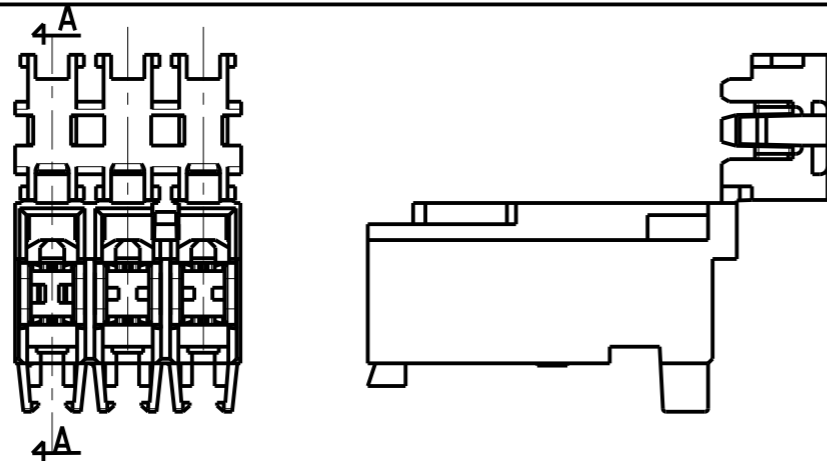
RELEASED FOR PUBLICATION

2008

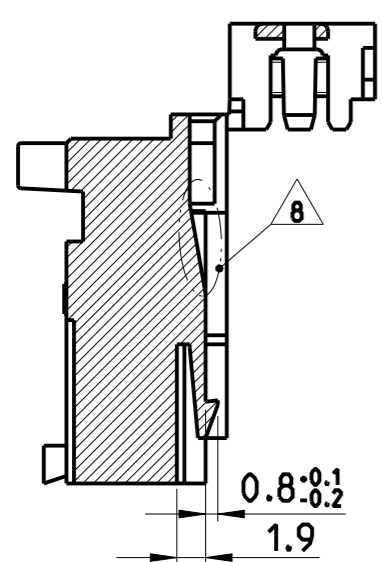
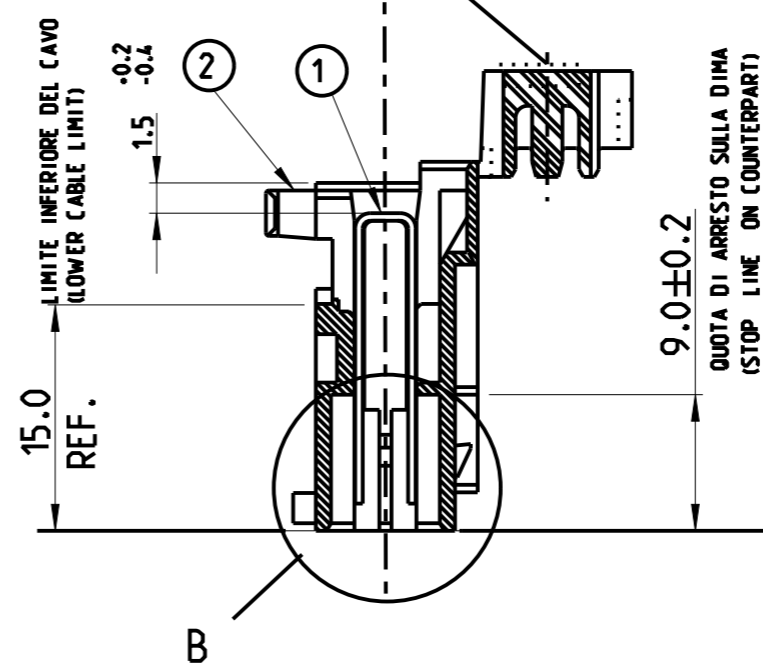
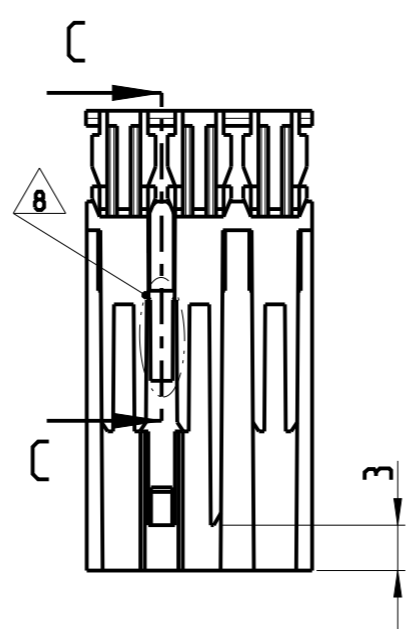
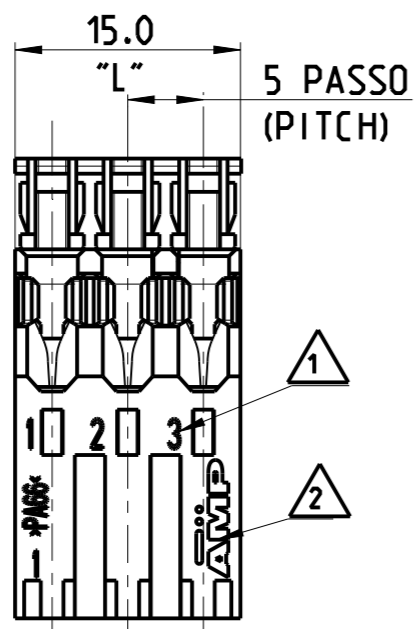
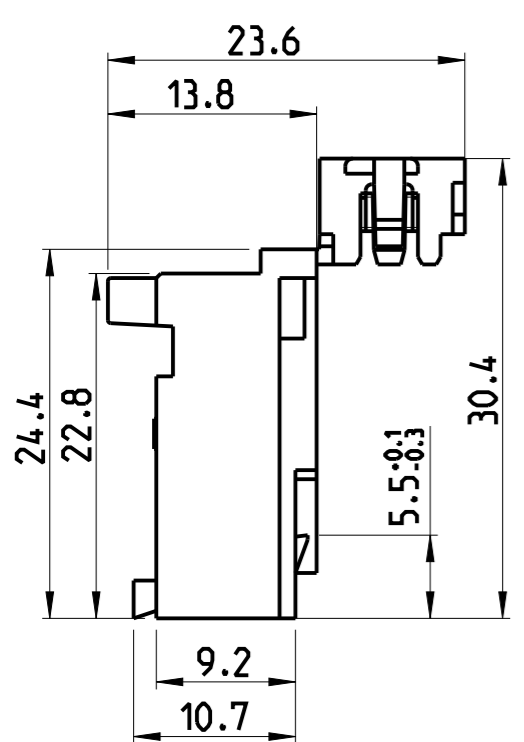
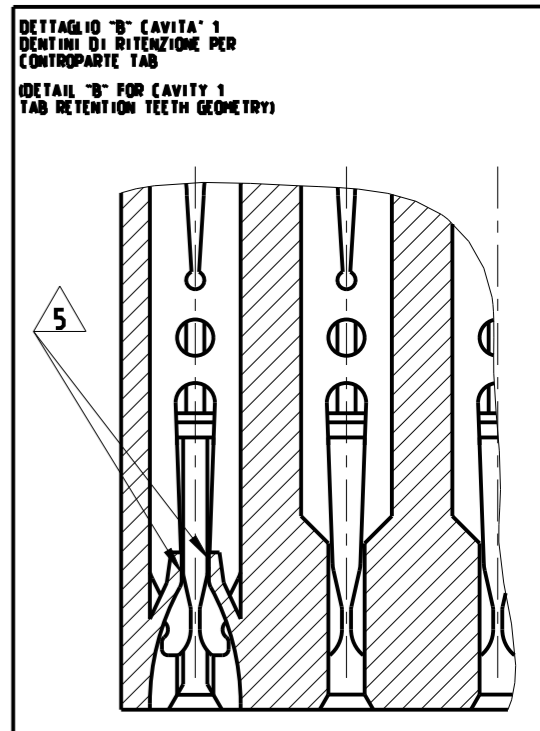
© COPYRIGHT 2008

ALL RIGHTS RESERVED.

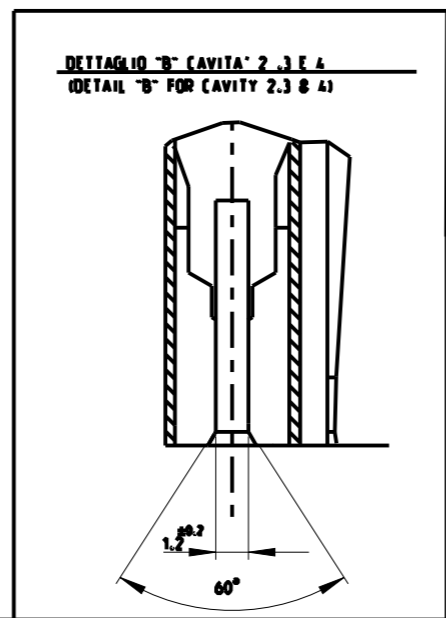
| LOC | DIST | REVISIONS |     |                              |           |     |      |
|-----|------|-----------|-----|------------------------------|-----------|-----|------|
|     |      | P         | LTR | DESCRIPTION                  | DATE      | DWN | APVD |
| 1   | -    |           | D   | REVISED AS PER ECR-13-013113 | 20AUG2013 | MKD | RRP  |
|     |      |           | D1  | ECR-15-016708                | 13NOV2015 | FL  | RR   |
|     |      |           | D2  | ECR-20-005284                | 16APR2020 | SM  | FL   |
|     |      |           | D3  | ECR-21-100150                | 19JAN2021 | SM  | FL   |



SEZ. A-A  
 COLOR CODE STRIP ALLOCATO  
 IN QUESTA AREA DEL COPERCHIO  
 (COLOR CODE STRIP  
 LOCATED ON THE COVER AS SHOWN)



SECTION C-C  
 2:1



|      |                             |                                     |  |
|------|-----------------------------|-------------------------------------|--|
| 2    | BLOCCHETTO (HOUSING)        | NATURALE (NATURAL)                  | PA 6.6 CARICATO VETRO (POLIAMIDE 6.6 GLASSFIBER FILLED)                      |
| 1    | CONTATTO (CONTACT)          | STAGNATO (TIN-PLATED)               | OTTONE (BRASS)   |
| ITEM | DENOMINAZIONE (DESCRIPTION) | FINITURA / COLORE (FINISH / COLOUR) | MATERIALE (MATERIAL)   |
|      |                             |                                     | DIAM. ISOLANTE (INS. DIA. RANGE) 3.0 max. RANGO FILO (WIRE RANGE) 0.5-1.5mm2 |

THIS DRAWING IS A CONTROLLED DOCUMENT.

DWN C. CORDOLA 02DEC2008  
 CHK G. TURCO 02DEC2008  
 APVD -

| DIMENSIONS: | TOLERANCES UNLESS OTHERWISE SPECIFIED: |
|-------------|--|
| mm          |  |
| 0 PLC       | ±                                      |
| 1 PLC       | ±                                      |
| 2 PLC       | ±                                      |
| 3 PLC       | ±                                      |
| 4 PLC       | ±                                      |
| ANGLES      | ±0° 30'                                |
| FINISH      | SEE TABLE                              |

MATERIAL SEE TABLE

PRODUCT SPEC 108-20065-1, 108-20065-2  
 APPLICATION SPEC 114-20016, 114-20016-1  
 WEIGHT -

**STE** TE Connectivity

NAME: MONO SHAPE MK I TAB SPECIAL 2-8 POS REAR LOCKING

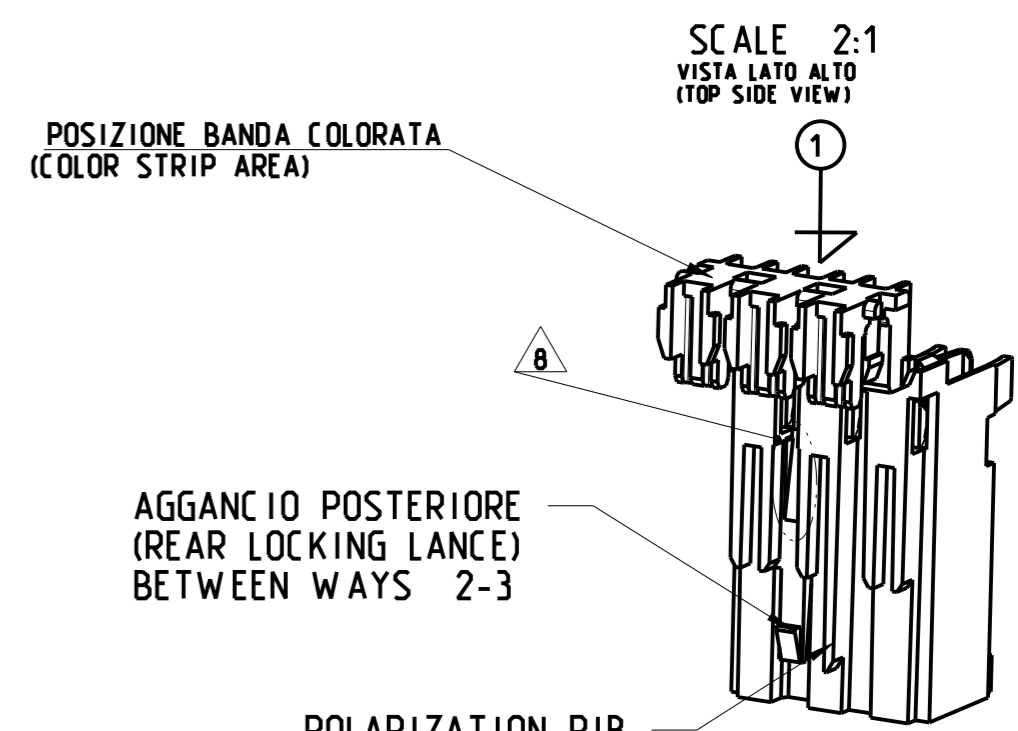
|      |           |            |               |
|------|-----------|------------|---------------|
| SIZE | CAGE CODE | DRAWING NO | RESTRICTED TO |
| A3   | 00779     | C-293491   | -             |

CUSTOMER DRAWING SCALE 2:1 SHEET 1 OF 3 REV D3

THIS DRAWING IS UNPUBLISHED. RELEASED FOR PUBLICATION 2008  
 © COPYRIGHT 2008 ALL RIGHTS RESERVED.

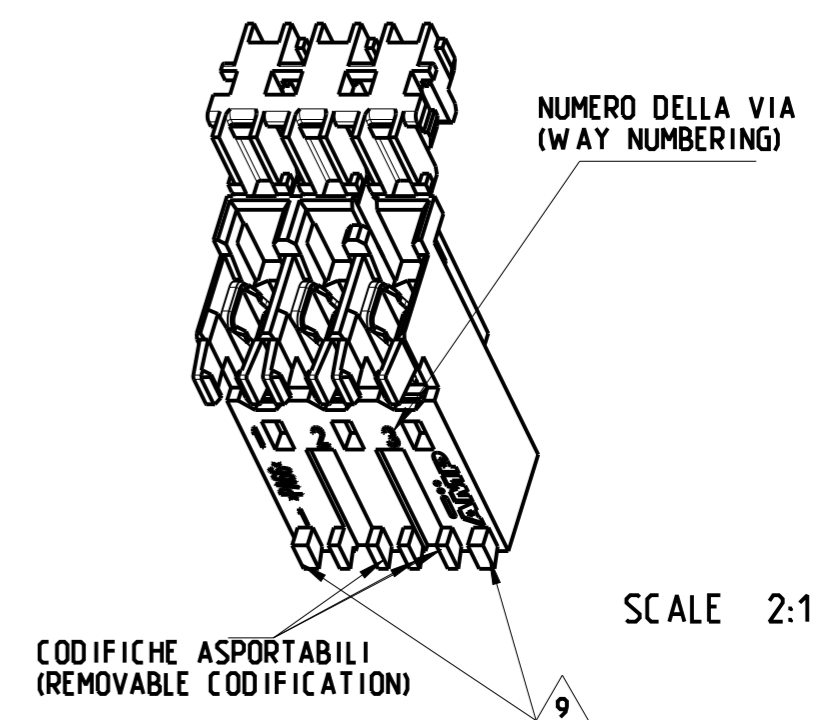
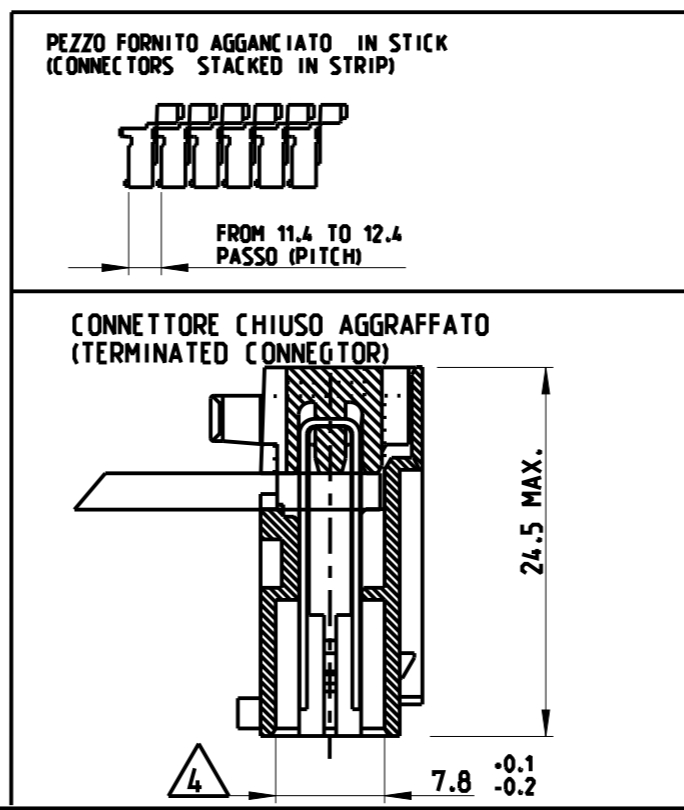
| LOC | DIST | REVISIONS |     |             |      |     |      |
|-----|------|-----------|-----|-------------|------|-----|------|
| 1   | -    | P         | LTR | DESCRIPTION | DATE | DWN | APVD |
|     |      |           |     | SEE SHEET 1 |      |     |      |

| NUMERO DI VIE<br>NO OF POS | CONFIGURAZIONE (Vista connettore dall'alto) ①<br>CONFIGURATION (View from top side) ① |   | VERSIONE PEZZI IN VASSOIO<br>TRAY PACKAGING VERSION | PART REV.  | VERSIONE PEZZI SCIOLTI<br>LOOSE PIECES PACKAGING VERSION | PART REV. | POSIZIONE AGGANCIO (LATO POSTERIORE)<br>LOCKING POSITION (Back side) | POSIZIONE POLARIZZAZIONE (LATO POSTERIORE) (SE PRESENTE)<br>POSITION FOR POLARIZATION ON BACK SIDE (IF PRESENT) | L<br>-0.2<br>-0.3<br>(mm) | NOTE MARCHIATURA CON BANDA COLORATA<br>NOTE STRIP COLOUR |
|----------------------------|---|---|---|------------|--|-----------|--|---|---------------------------|--|
|                            | 2   | ④ |   | 0-293491-2 | D  | -         | -  | 1-2   | 1S-2D                     | 9.9  |
|                            | ④   |   | 1-293491-2  | D          | -  | -         | 1-2  | 1S  | 9.9                       | -  |
|                            | ④   |   | 2-293491-2  | D          | -  | -         | 1-2  | -   | 9.9                       | -  |
| 3                          | ④   |   | 0-293491-3  | D          | -  | -         | 2-3  | 2S  | 14.9                      | -  |
| 3                          | ④   |   | 1-293491-3  | D          | -  | -         | 1-2  | 1S-2D   | 14.9                      | BLACK  |
| 4                          | ④   |   | 0-293491-4  | D          | -  | -         | 1-2, 3-4   | 1S, 2D, 3S  | 19.9                      | -  |
| 8                          | ④   |   | 0-293491-8  | D          | -  | -         | 1-2, 7-8   | 2D, 3S, 6D, 7S  | 39.9                      | -  |



NOTE/NOTES:

- ① NUMERI DI IDENTIFICAZIONE CAVITA' (CIRCUIT IDENTIFICATION)
- ② MARCHIO DI FABBRICA (LIBERA POSIZIONE) (TRADE MARK LOGO FREE POSITION)
- ③ L'AGGANCIO PER LINGUETTA E' POSIZIONATO SOLO NELLA CAVITA' N. 1 \*VEDI ANCHE NOTA 5 (RETENTION TOOTH IT IS LOCATED ON THE CAVITY N.1 SEE ALSO NOTE 5)
- ④ DIVENTA 6.5 PER LA CAVITA' N. 1 SUI CONNETTORI (BECOMES 6.5. FOR THE CAVITY N.1)
- ⑤ GEOMETRIA ALTERNATIVA E OPZIONALE DEL DENTINO DI AGGANCIO (ALTERNATIVE AND OPTIONAL SHAPE FOR RETENTION TOOTH)
- ⑥ STATO DI FORNITURA: CONFEZIONAMENTO IN "VASSOI + SCATOLA" (PACKAGING: "ON TRAY PLUS (CARTON BOX)")
- ⑦ PRELIMINARY- PART NOT YEST RELEASED FOR PRODUCTION
- ⑧ SLIDE PROFILE (WEDGE SHAPE SLOT) ON THE AREA ABOVE THE LOCKING LANCE GEOMERTY TO FACILITATE UN-CHAINING PROCESS.
- ⑨ DIFFERENT CODING RIB GEOMETRY AT BOTH END. WIDTH OF CODING RIB REDUCED TO 1.1 mm FOR ALL REAR LOCKING VERSIONS



|   |  |  |   |                        |
|---|--|--|---|------------------------|
| THIS DRAWING IS A CONTROLLED DOCUMENT.  |  | DWN<br>C.CORDOLA<br>02DEC2008              | TE Connectivity   |                        |
|   |  | CHK<br>G.TURCO<br>02DEC2008                |   |                        |
| DIMENSIONS: mm  |  | APVD -                                     | NAME<br>MONO SHAPE MK I TAB<br>SPECIAL 2-8 POS REAR LOCKING |                        |
| TOLERANCES UNLESS OTHERWISE SPECIFIED:<br>0 PLC ±<br>1 PLC ±<br>2 PLC ±<br>3 PLC ±<br>4 PLC ±<br>ANGLES ±0° 30' |  | PRODUCT SPEC<br>108-20065-1<br>108-20065-2 | RESTRICTED TO   |                        |
| MATERIAL SEE TABLE  |  | FINISH SEE TABLE                           | APPLICATION SPEC<br>114-20016<br>114-20016-1                | SIZE<br>A3             |
|   |  | WEIGHT -                                   | CAGE CODE<br>00779  | DRAWING NO<br>C-293491 |
|   |  | CUSTOMER DRAWING                           | SCALE<br>2:1  | SHEET<br>2 OF 3        |
|   |  |  | REV<br>D3   |                        |

THIS DRAWING IS UNPUBLISHED.

RELEASED FOR PUBLICATION







2008



© COPYRIGHT 2008

ALL RIGHTS RESERVED.

| LOC | DIST | REVISIONS   |      |     |      |
|-----|------|-------------|------|-----|------|
| P   | LTR  | DESCRIPTION | DATE | DWN | APVD |
|     |      | SEE SHEET 1 |      |     |      |

PA GF. UL-V0 GWEPT 750°C NO FLAME. NATURAL

| NO OF POS | CONFIGURATION<br>(View from top side) ①   | TRAY PACKAGING VERSION | PART REV | LOOSE PIECES PACKAGING VERSION | PART REV | LOCKING POSITION (Back side) | POSITION FOR POLARIZATION ON BACK SIDE (IF PRESENT) | L -0.2<br>L -0.3 (mm) | NOTE STRIP COLOUR |
|-----------|---|------------------------|----------|--------------------------------|----------|------------------------------|---|-----------------------|-------------------|
| 2         |  | 2297762-2              | D        | -                              | -        | 1-2                          | 1S-2D   | 9.9                   | -                 |
|           |  | 1-2297762-2            | 1        | -                              | -        | 1-2                          | 1S  | 9.9                   | -                 |
| 3         |  | 2297762-3              | 1        | -                              | -        | 1-2                          | 1S-2D   | 14.9                  | -                 |
|           |  | 1-2297762-3            | D        | -                              | -        | 2-3                          | 1D-2S-3D  | 14.9                  | -                 |
| 4         |  | 2297762-4              | 1        | -                              | -        | 1-2, 3-4                     | 2D-3S-4D  | 19.9                  | -                 |
| 5         |  | 2297762-5              | 1        | -                              | -        | 2-3, 4-5                     | 2S-4S   | 24.9                  | -                 |
| 8         |   | 2297762-8              | 1        | -                              | -        | TBD                          | TBD   | 39.9                  | -                 |

|   |  |   |  |   |
|---|--|---|--|---|
| THIS DRAWING IS A CONTROLLED DOCUMENT.  |  | DWN<br>C.CORDOLA<br>02DEC2008   |  <b>TE Connectivity</b> |   |
| DIMENSIONS:<br>mm   |  | CHK<br>G.TURCO<br>02DEC2008   |  |   |
|  |  | TOLERANCES UNLESS OTHERWISE SPECIFIED:                                |  | NAME<br>MONO SHAPE MK I TAB<br>SPECIAL 2-8 POS REAR LOCKING |
|   |  | 0 PLC ±<br>1 PLC ±<br>2 PLC ±<br>3 PLC ±<br>4 PLC ±<br>ANGLES ±0° 30' |  | APVD<br>-   |
| MATERIAL SEE TABLE  |  | FINISH SEE TABLE  |  | PRODUCT SPEC<br>-   |
|   |  |   |  | APPLICATION SPEC<br>-                                       |
|   |  |   |  | SIZE<br>A3  |
|   |  |   |  | CAGE CODE<br>00779  |
|   |  |   |  | DRAWING NO<br>C-293491                                      |
|   |  |   |  | RESTRICTED TO<br>-  |
|   |  | CUSTOMER DRAWING  |  | SCALE<br>2:1  |
|   |  |   |  | SHEET<br>3 OF 3   |
|   |  |   |  | REV<br>D3   |

## X-ON Electronics

Largest Supplier of Electrical and Electronic Components

*Click to view similar products for [TE Connectivity](#) manufacturer:*

Other Similar products are found below :

[D38999/24FJ4AN](#) [570416-000](#) [CLTEQ-M81CE-SSRELAY-4-20V](#) [4-1195131-0](#) [650069-000](#) [SMD100-2](#) [358838-000](#) [CB-1022B-78](#)  
[RM707012](#) [RP410012](#) [MMS42](#) [1-640426-8](#) [2EDL4CM](#) [DTS20W19-11PD-3028-LC](#) [RM202615](#) [NC6-P104-06](#) [MSPS103B](#) [DTS26F21-](#)  
[41HE-LC](#) [DTS26F21-41AE](#) [DTS26F21-41PE-LC](#) [DTS26F21-11SE-3028-LC](#) [30DCB6](#) [1932144-1](#) [293545-4](#) [LVR125S](#) [MS27466T25F4PB](#)  
[CKB-38-78010](#) [TR04AI-TINELLOCKRING](#) [1206SFF150F/63-2](#) [D38999/20JB35HA](#) [TE1500A2R2J](#) [D38999/20WC8BB](#) [DTS24F19-11SC-](#)  
[3028-LC](#) [D38999/24WG11HA](#) [D38999/24WG11HN](#) [MS27467T21F11H](#) [DJT16E21-11HA](#) [MS27467T21F35J](#) [MS27467T21F11J](#)  
[MS27467T21F16H-LC](#) [MS27467T21F35H](#) [MS27467T21F41H-LC](#) [1206SFH150F/24-2](#) [RP330024](#) [DJT16E21-11PA-LC](#) [DJT16E21-11HA-](#)  
[LC](#) [DJT16E21-11AA](#) [MS27467T21B11JA](#) [DJT16E21-11JA](#) [MS27467T21B11JA-LC](#)