

THIS DRAWING IS UNPUBLISHED.

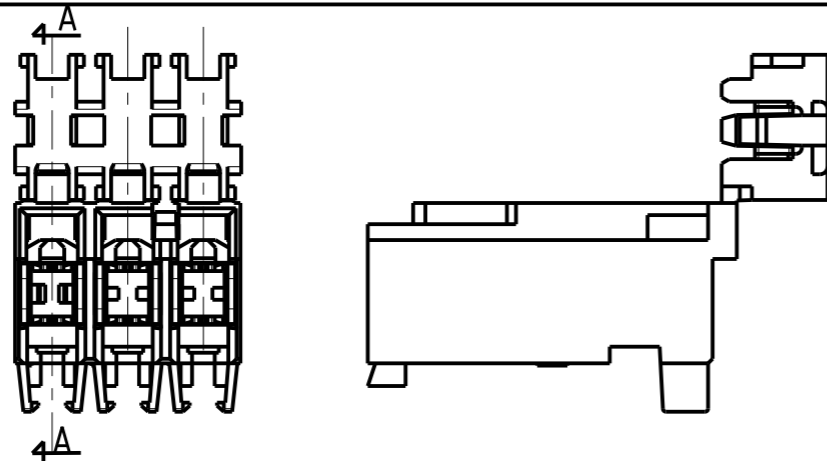
RELEASED FOR PUBLICATION

2008

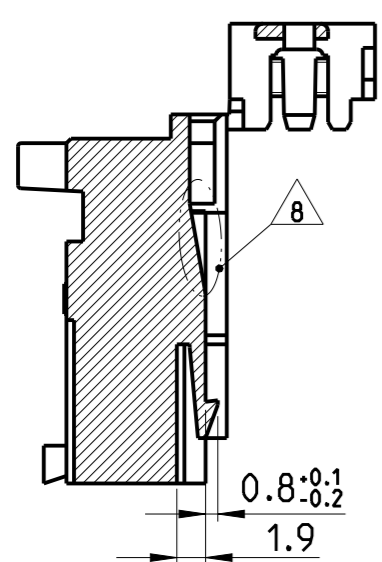
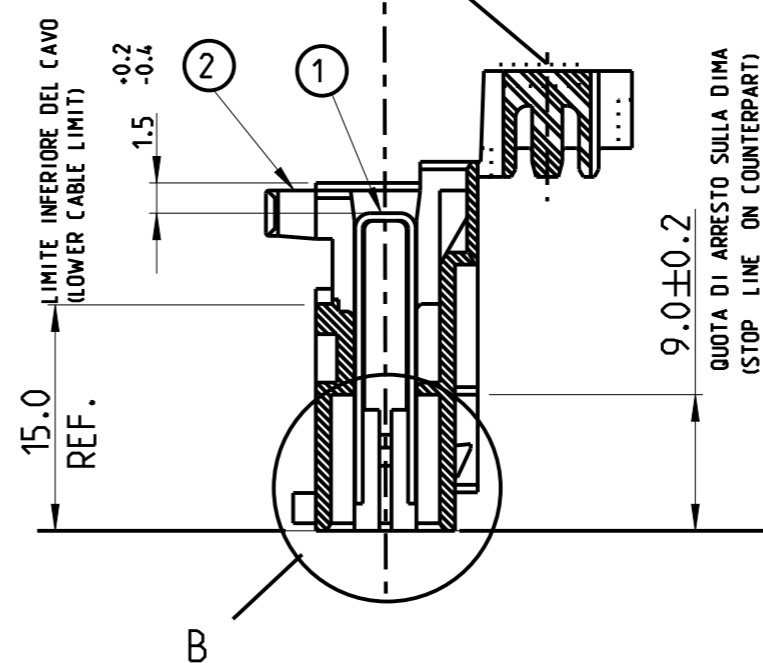
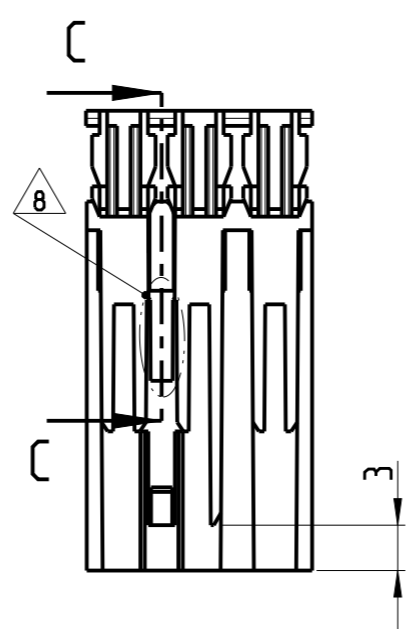
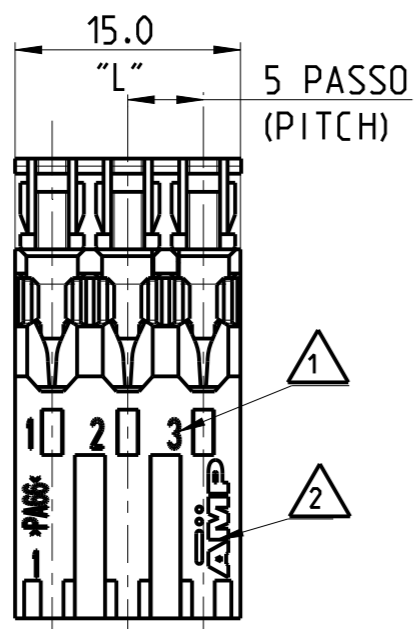
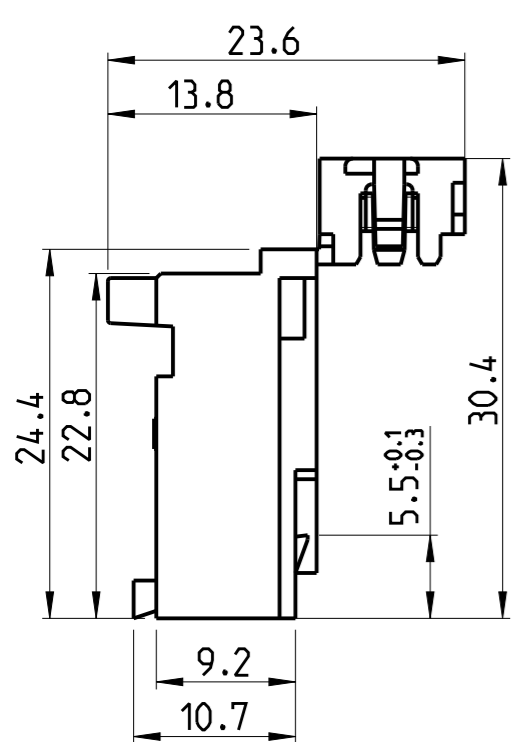
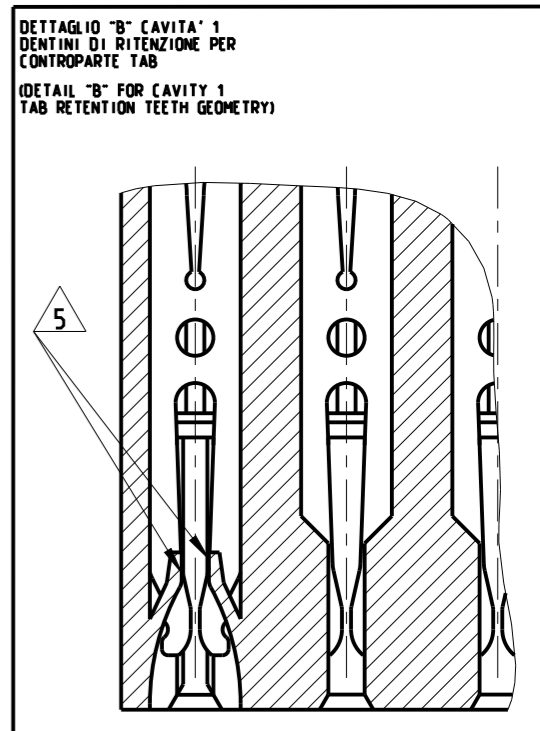
© COPYRIGHT 2008

ALL RIGHTS RESERVED.

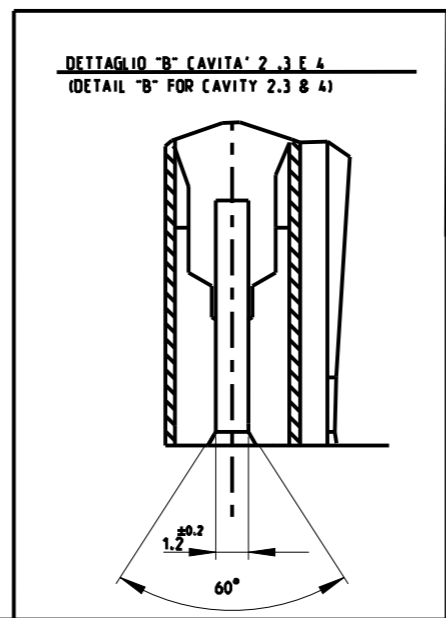
LOC	DIST	REVISIONS					
		P	LTR	DESCRIPTION	DATE	DWN	APVD
1	-		D1	ECR-15-016708	13NOV2015	FL	RR
			D2	ECR-20-005284	16APR2020	SM	FL
			D3	ECR-21-100150	19JAN2021	SM	FL
			D4	ECR-21-102869	10MAY2021	SM	FL



SEZ. A-A
 COLOR CODE STRIP ALLOCATO
 IN QUESTA AREA DEL COPERCHIO
 (COLOR CODE STRIP
 LOCATED ON THE COVER AS SHOWN)



SECTION C-C
 2:1



2	BLOCCETTO (HOUSING)	NATURALE (NATURAL)	PA 6.6 CARICATO VETRO (POLIAMIDE 6.6 GLASSFIBER FILLED)
1	CONTATTO (CONTACT)	STAGNATO (TIN-PLATED)	OTTONE (BRASS)
ITEM	DENOMINAZIONE (DESCRIPTION)	FINITURA / COLORE (FINISH / COLOUR)	MATERIALE (MATERIAL)
			DIAM. ISOLANTE (INS. DIA. RANGE) 3.0 max. RANGO FILO (WIRE RANGE) 0.5-1.5mm2

THIS DRAWING IS A CONTROLLED DOCUMENT.

DWN C.CORDOLA 02DEC2008
 CHK G.TURCO 02DEC2008
 APVD -

DIMENSIONS: mm

TOLERANCES UNLESS OTHERWISE SPECIFIED:
 0 PLC ±
 1 PLC ±
 2 PLC ± ±0.3
 3 PLC ±
 4 PLC ±
 ANGLES ±0° 30'
 FINISH SEE TABLE

MATERIAL SEE TABLE

PRODUCT SPEC 108-20065-1, 108-20065-2
 APPLICATION SPEC 114-20016, 114-20016-1
 WEIGHT -

CUSTOMER DRAWING

STE TE Connectivity

NAME: MONO SHAPE MK I TAB SPECIAL 2-8 POS REAR LOCKING

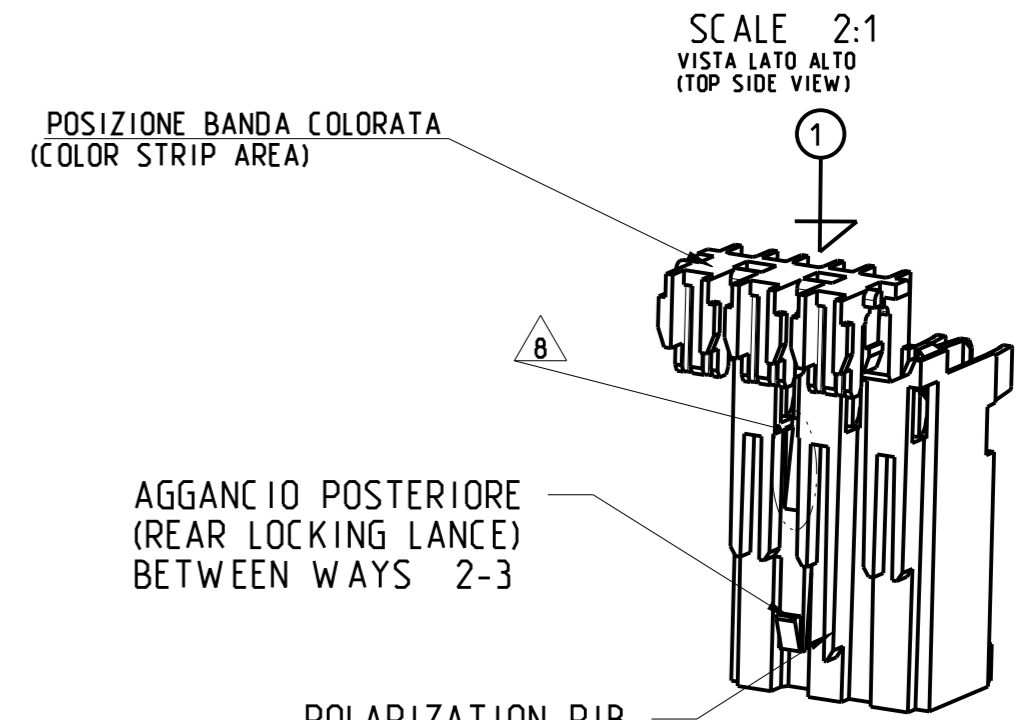
SIZE: A3 CAGE CODE: 00779 DRAWING NO: C-293491 RESTRICTED TO: -

SCALE: 2:1 SHEET: 1 OF 3 REV: D4

THIS DRAWING IS UNPUBLISHED. RELEASED FOR PUBLICATION 2008
 © COPYRIGHT 2008 ALL RIGHTS RESERVED.

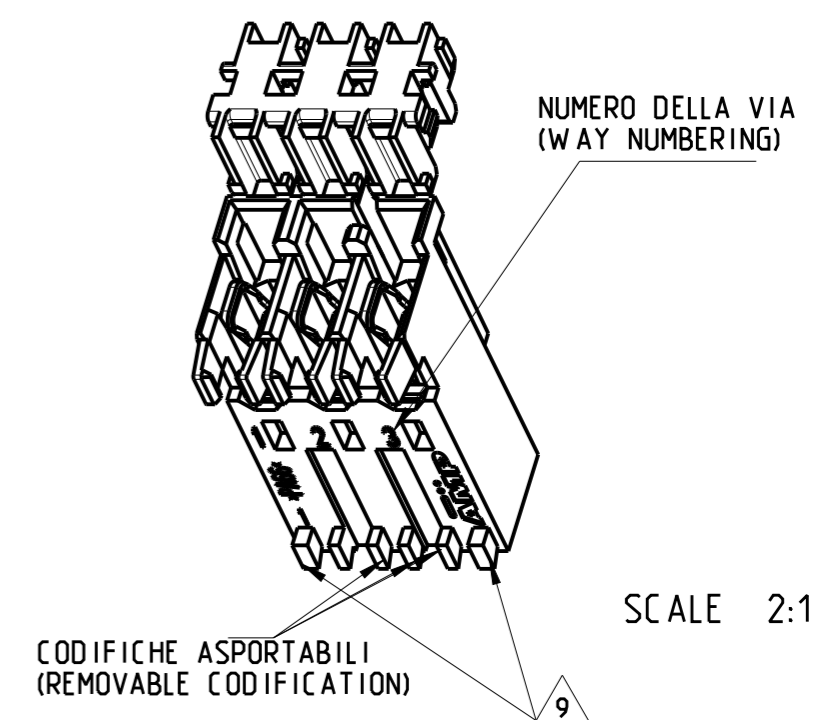
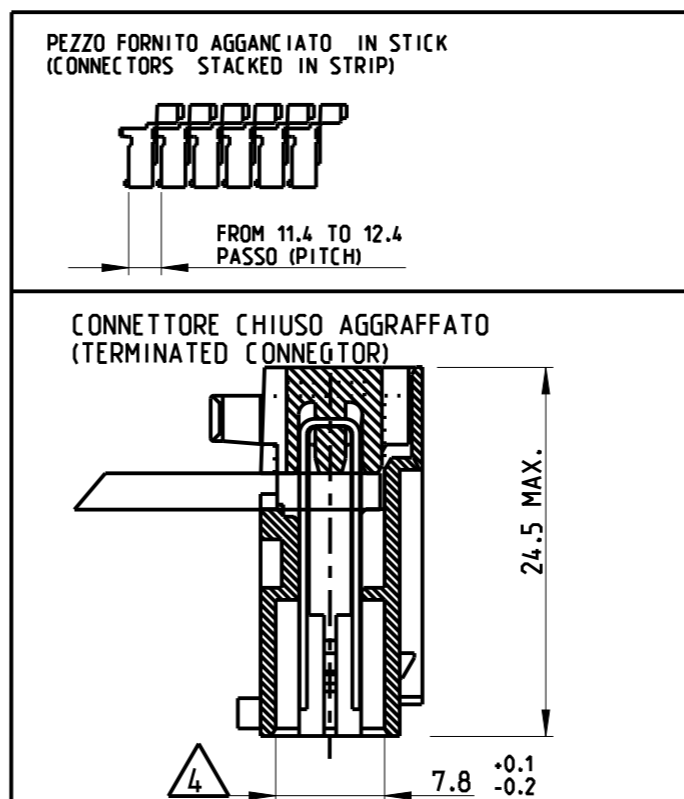
LOC	DIST	REVISIONS					
1	-	P	LTR	DESCRIPTION	DATE	DWN	APVD
				SEE SHEET 1			

NUMERO DI VIE	CONFIGURAZIONE (Vista connettore dall'alto)	VERSIONE PEZZI IN VASSOIO	PART REV.	VERSIONE PEZZI SCIOLTI	PART REV.	POSIZIONE AGGANCIO (LATO POSTERIORE)	POSIZIONE POLARIZZAZIONE (LATO POSTERIORE) (SE PRESENTE)	L	NOTE MARCHIATURA CON BANDA COLORATA
NO OF POS	CONFIGURATION (View from top side)	TRAY PACKAGING VERSION		LOOSE PIECES PACKAGING VERSION		LOCKING POSITION (Back side)	POSITION FOR POLARIZATION ON BACK SIDE (IF PRESENT)	(mm)	NOTE STRIP COLOUR
2		0-293491-2	D	-	-	1-2	1S-2D	9.9	-
		1-293491-2	D	-	-	1-2	1S	9.9	-
		2-293491-2	D	-	-	1-2	-	9.9	-
3		0-293491-3	D	-	-	2-3	2S	14.9	-
3		1-293491-3	D	-	-	1-2	1S-2D	14.9	BLACK
4		0-293491-4	D	-	-	1-2, 3-4	1S, 2D, 3S	19.9	-
8		0-293491-8	D	-	-	1-2, 7-8	2D, 3S, 6D, 7S	39.9	-



NOTE/NOTES:

- 1) NUMERI DI IDENTIFICAZIONE CAVITA' (CIRCUIT IDENTIFICATION)
- 2) MARCHIO DI FABBRICA (LIBERA POSIZIONE). (TRADE MARK LOGO FREE POSITION)
- 3) L'AGGANCIO PER LINGUETTA E' POSIZIONATO SOLO NELLA CAVITA' N 1 (VEDI ANCHE NOTA 5) (RETENTION TOOTH IT IS LOCATED ON THE CAVITY N.1 SEE ALSO NOTE 5)
- 4) DIVENTA 6.5 PER LA CAVITA' N. 1 SUI CONNETTORI (BECOMES 6.5. FOR THE CAVITY N.1)
- 5) GEOMETRIA ALTERNATIVA E OPZIONALE DEL DENTINO DI AGGANCIO (ALTERNATIVE AND OPTIONAL SHAPE FOR RETENTION TOOTH)
- 6) STATO DI FORNITURA: CONFEZIONAMENTO IN "VASSOI + SCATOLA" (PACKAGING: "ON TRAY PLUS CARTON BOX")
- 7) PRELIMINARY- PART NOT YEST RELEASED FOR PRODUCTION
- 8) SLIDE PROFILE (WEDGE SHAPE SLOT) ON THE AREA ABOVE THE LOCKING LANCE GEOMERTY TO FACILITATE UN-CHAINING PROCESS.
- 9) DIFFERENT CODING RIB GEOMETRY AT BOTH END. WIDTH OF CODING RIB REDUCED TO 1.1 mm FOR ALL REAR LOCKING VERSIONS



THIS DRAWING IS A CONTROLLED DOCUMENT.		DWN C.CORDOLA 02DEC2008	TE Connectivity	
		CHK G.TURCO 02DEC2008		
DIMENSIONS: mm		APVD -	NAME	
TOLERANCES UNLESS OTHERWISE SPECIFIED:		PRODUCT SPEC	MONO SHAPE MK I TAB	
0 PLC ±		108-20065-1	SPECIAL 2-8 POS REAR LOCKING	
1 PLC ±		108-20065-2		
2 PLC ± ±0.3		APPLICATION SPEC		
3 PLC ±		114-20016		
4 PLC ±		114-20016-1		
ANGLES ±0° 30'		WEIGHT -	SIZE A3	CAGE CODE 00779
MATERIAL SEE TABLE	FINISH SEE TABLE	CUSTOMER DRAWING	DRAWING NO C-293491	RESTRICTED TO -
		SCALE 2:1	SHEET 2 OF 3	REV D4

THIS DRAWING IS UNPUBLISHED.

RELEASED FOR PUBLICATION

2008

© COPYRIGHT 2008

ALL RIGHTS RESERVED.

LOC	DIST	REVISIONS			
P	LTR	DESCRIPTION	DATE	DWN	APVD
		SEE SHEET 1			

PA GF, UL-V0 GWEPT 750 °C NO FLAME, NATURAL

NO OF POS	CONFIGURATION (View from top side) ①	TRAY PACKAGING VERSION	PART REV	LOOSE PIECES PACKAGING VERSION	PART REV	LOCKING POSITION (Back side)	POSITION FOR POLARIZATION ON BACK SIDE (IF PRESENT)	L +0.2 L -0.3 (mm)	NOTE STRIP COLOUR
2		2297762-2	D	-	-	1-2	1S-2D	9.9	-
		1-2297762-2	1	-	-	1-2	1S	9.9	-
3		2297762-3	1	-	-	1-2	1S-2D	14.9	-
3		1-2297762-3	D	-	-	2-3	1D-2S-3D	14.9	-
4		2297762-4	D	-	-	1-2, 3-4	2D-3S-4D	19.9	-
5		2297762-5	1	-	-	2-3, 4-5	2S-4S	24.9	-
8		2297762-8	1	-	-	TBD	TBD	39.9	-

THIS DRAWING IS A CONTROLLED DOCUMENT.		DWN C.CORDOLA 02DEC2008		
DIMENSIONS: mm		CHK G.TURCO 02DEC2008		
TOLERANCES UNLESS OTHERWISE SPECIFIED:		APVD -	NAME MONO SHAPE MK I TAB SPECIAL 2-8 POS REAR LOCKING	
0 PLC ±		PRODUCT SPEC -	SIZE A3	
1 PLC ±		APPLICATION SPEC -	CAGE CODE 00779	DRAWING NO G-293491
2 PLC ±		WEIGHT -	RESTRICTED TO -	
3 PLC ±		MATERIAL SEE TABLE	SCALE 2:1	
4 PLC ±			SHEET 3 OF 3	
ANGLES ± ±0° 30'		FINISH SEE TABLE	REV D4	
CUSTOMER DRAWING				

X-ON Electronics

Largest Supplier of Electrical and Electronic Components

Click to view similar products for [Headers & Wire Housings](#) category:

Click to view products by [TE Connectivity](#) manufacturer:

Other Similar products are found below :

[892-18-020-10-001101](#) [58102-G61-06LF](#) [582553-1](#) [0009485154](#) [009176003701906](#) [0050291907](#) [LY20-4P-DT1-P1E-BR](#) [02.125.8002.8](#)
[609-3404](#) [61062-3](#) [61082-181009](#) [622-3653LF](#) [63453-116](#) [636-1030](#) [636-1427](#) [636-3427](#) [636-4007](#) [641938-9](#) [641991-4](#) [644827-2](#) [65817-](#)
[010LF](#) [65817-015LF](#) [65863-015LF](#) [66207-023LF](#) [67095-007LF](#) [67601157](#) [68645-018](#) [68648-049](#) [70.362.1628.0](#) [70-4210](#) [70-4226B](#) [70-](#)
[4853B](#) [707-5020](#) [707-5028](#) [71.350.2428.0](#) [71918-208LF](#) [71961-016LF](#) [733-134](#) [733-162](#) [754199-000](#) [760-3052](#) [787-8014-00](#) [79531-3000](#)
[FCN-360C032-B](#) [FCN-367T-T012/H](#) [FCN-723D010/2](#) [80.063.4001.1](#) [800-90-001-10-001000](#) [800-90-010-10-002000](#) [801-43-002-10-013000](#)