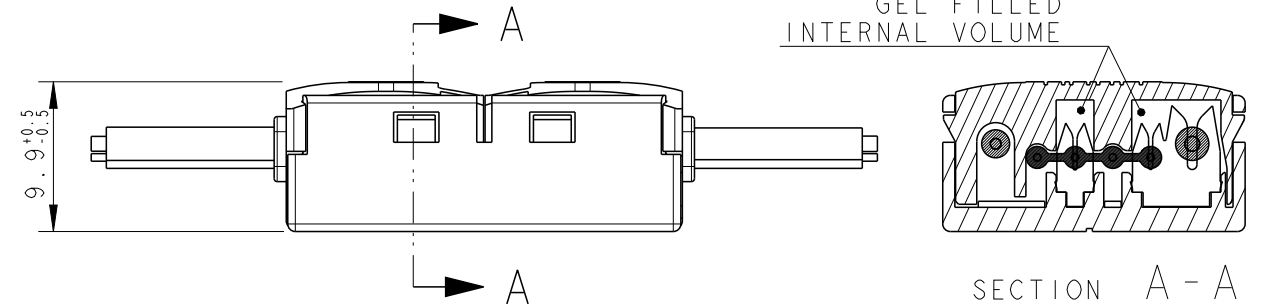
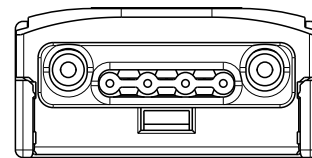
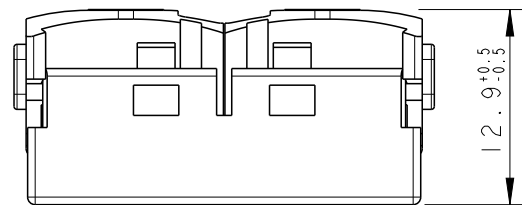
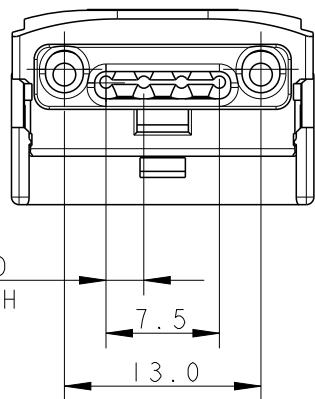
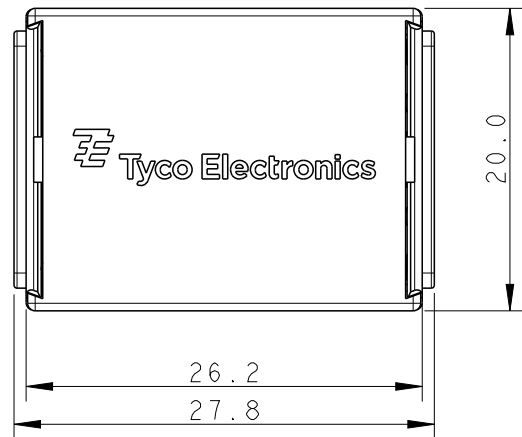
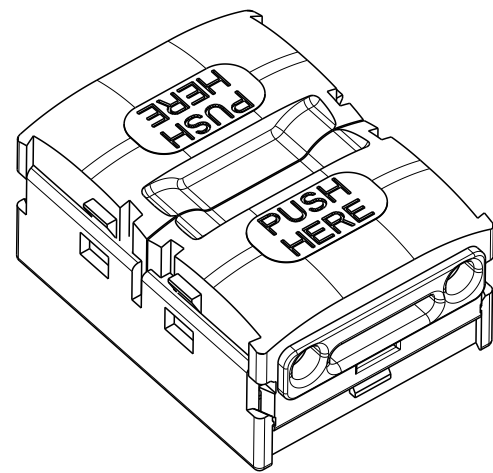
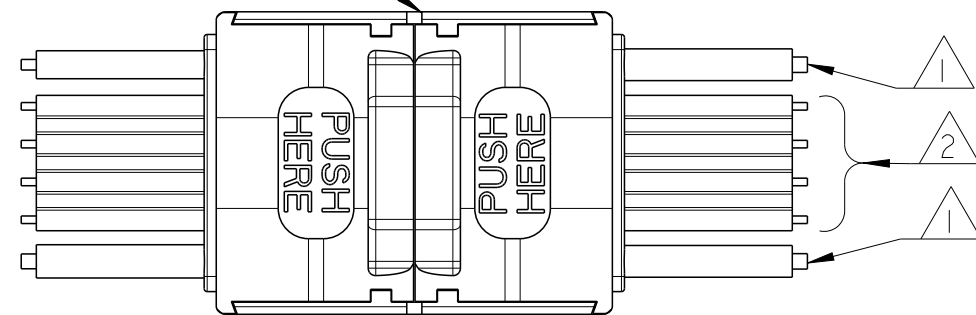


LOC	DIST	REVISIONS				
P	LTR	DESCRIPTION	DATE	DWN	APVD	
-	-	A	REVISED PER ECR-10-014988	27JUL2010	HMR	PP
-	-	B	REVISED PER ECR-15-011380	25SEP2015	RS	DD



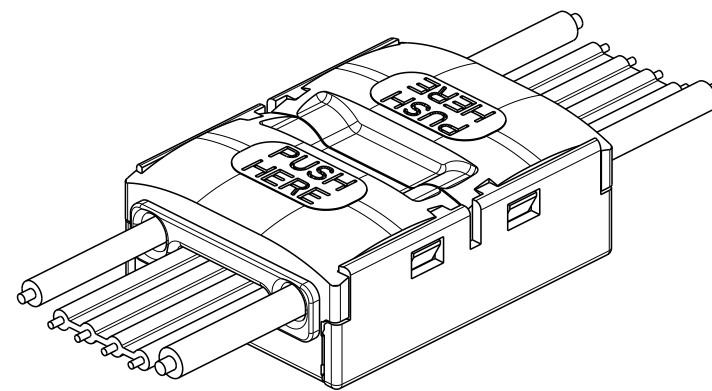
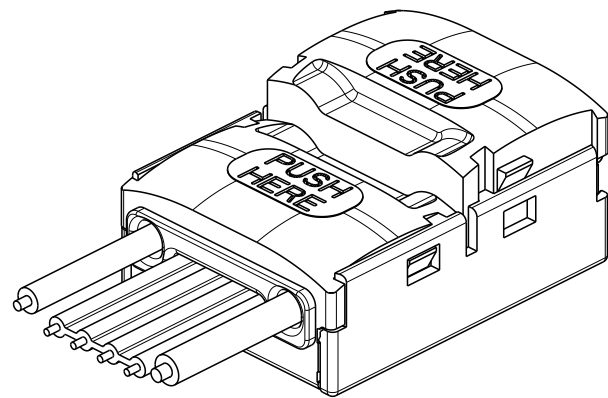
APPLICATION (FULLY LOADED : ALL WIRES CRIMPED)

P/N X-293521-Y



PARTIAL TERMINATION (ONE SIDE)

COMPLETE TERMINATION (BOTH SIDES)


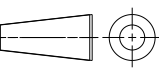


1 SINGLE CABLE (SOLID TINNED WIRE);
20AWG, 18AWG, 0.50mm², 0.75mm²
INSULATION DIAMETER: 2.20mm MAX;
INSULATION MATERIAL: PVC.

2 RIBBON CABLE, 4 WIRES
PITCH 2.50±0.10mm, MAX WIDTH: 8.7mm
AWG26/7 (FUSED TINNED STRANDS) OR
AWG24/7 (FUSED AND NON FUSED TINNED STRANDS);
INSULATION MATERIAL: PVC.

3 CONNECTOR TERMINATIONS ACHIEVED BY ALLIGATOR PLIERS.
SEE TE APPLICATION SPEC 114-19131

5-293521-1	TRANSPARENT
PART NUMBER	COLOR

THIS DRAWING IS A CONTROLLED DOCUMENT.		DWN 29APR2009 Erik Derks	 TE Connectivity	
DIMENSIONS: mm		CHK 29APR2009 Erik Derks		
TOLERANCES UNLESS OTHERWISE SPECIFIED:		APVD 22jun09 Giovanni Turco	NAME 4 POS. SEALED CONNECTOR FOR LED LIGHTING APPLICATION STANDARD VERSION	
		PRODUCT SPEC 108-19419	SIZE CAGE CODE DRAWING NO RESTRICTED TO	
0 PLC ±0.5 1 PLC ±0.3 2 PLC ±0.1 3 PLC ± 4 PLC ± ANGLES ±1		APPLICATION SPEC 114-19131	A300779C-293521	
MATERIAL PC UNFILLED TRANSPARENT COLOURS ACC. TO UL94-V0 (3mm)		WEIGHT -	SCALE 2:1 SHEET 1 OF 1 REV B	
		CUSTOMER DRAWING		

X-ON Electronics

Largest Supplier of Electrical and Electronic Components

Click to view similar products for [Lighting Connectors](#) category:

Click to view products by [TE Connectivity](#) manufacturer:

Other Similar products are found below :

[21061-9](#) [293300-7](#) [2106117-2](#) [293660-5](#) [293700-2](#) [CNX_H03_NTP](#) [30-9767-BU](#) [3-21030-1](#) [ZCH-110-RGB-I](#) [503471-0290](#) [ES5P09K4F2](#)
[CNXH02NTP](#) [ZCH-110-RGB-J](#) [217-0716-200](#) [192992-0057](#) [1954563-1](#) [217-3030-000](#) [217-3032-000](#) [237-0734-003](#) [1-2213614-2](#) [2834049-](#)
[3](#) [ES9S002SZZ](#) [2834049-2](#) [2-2834067-3](#) [1-293657-2](#) [2834049-1](#) [1-2213614-3](#) [2834036-1](#) [2834037-1](#) [2213614-3](#) [2307526-2](#) [2-2106124-3](#)
[2-2834068-3](#) [FLS2SC4001BP](#) [FLSC80352000](#) [FLSC80354000](#) [FLSC80353000](#) [FLSSB8002](#) [FLSSB8001](#) [FLSC80351000](#) [FLSC80355000](#)
[FLSSB4001](#) [FLSC80504000](#) [FLSC80502000](#) [FLSC80501000](#) [FLSSR4001](#) [FLSC80505000](#) [FLSC80503000](#) [FLA-R4142-30](#) [FLA-R4141-30](#)