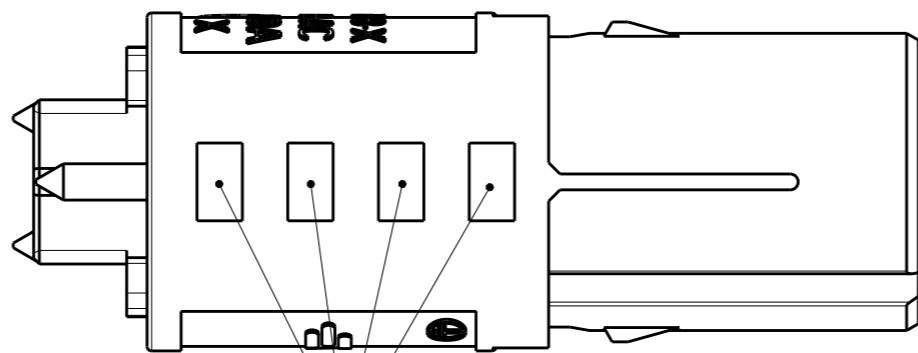


THIS DRAWING IS UNPUBLISHED. RELEASED FOR PUBLICATION 2011
 © COPYRIGHT 2011 BY - ALL RIGHTS RESERVED.

LOC	DIST	REVISIONS					
		P	LTR	DESCRIPTION	DATE	DWN	APVD
1	-	E		UPDATED	20FEB2013	MZ	JC
		F		PARTS -1, -2, -3 RELEASED FOR PRODUCTION	27JUN2013	KR	JC
		F1		REVISED PART NUMBERS	17JUL2017	SK	MZ
		F2		REVISED PER ECR-18-006945	20SEP2018	SR	MZ



VISUAL INDICATOR FOR PE CONDUCTOR

NOTES:

- 1) MATERIAL: POLYAMIDE GLASS FILLED COLOUR NATURAL
- 2) PACKAGING: SEE TE PACKAGING SPECIFICATION 107-20294

△3 N CODE

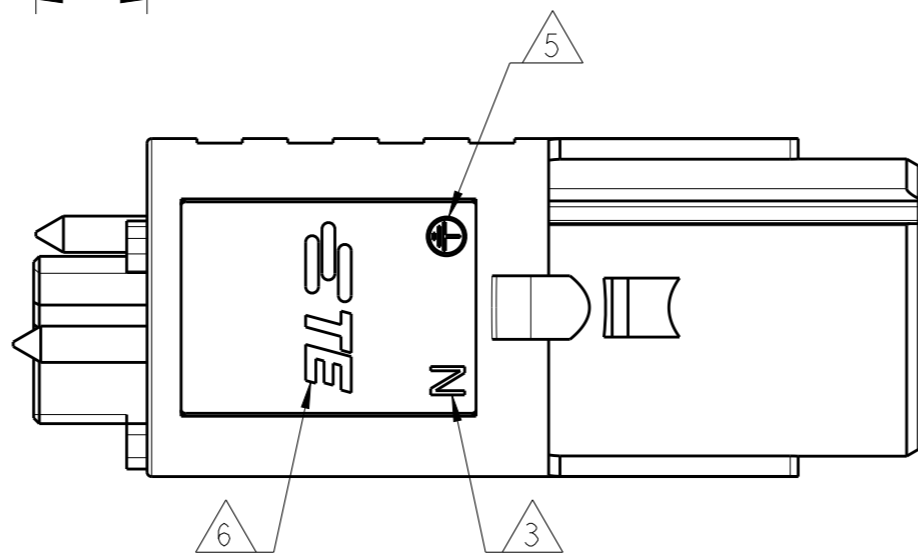
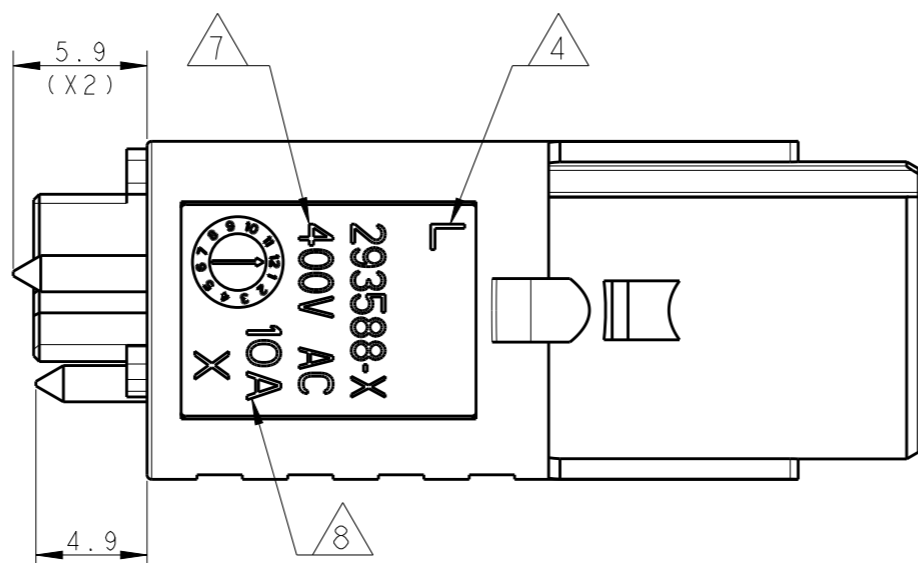
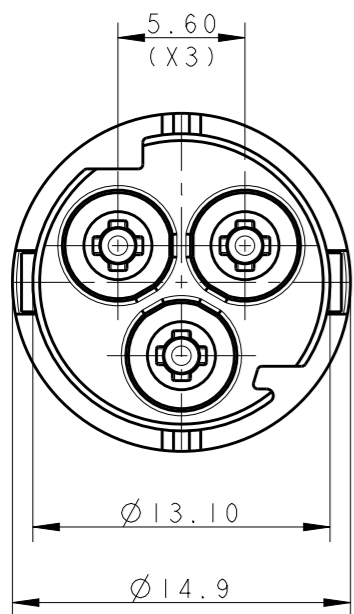
△4 L CODE

△5 PE CODE

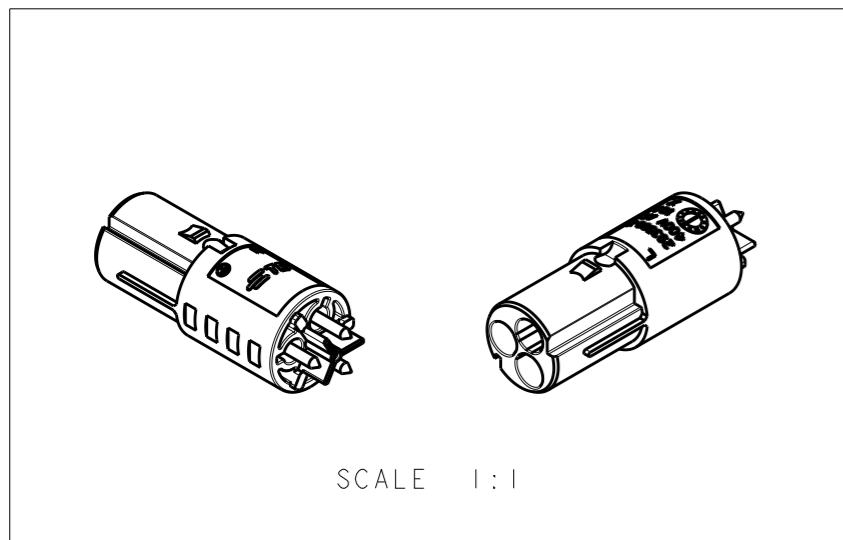
△6 TE LOGO

△7 RATED VOLTAGE

△8 RATED CURRENT



OBSOLETE	NATURAL	D	PIN CONNECTOR PCB 90 DEG NECTOR* M-LINE	I	293590-4
	NATURAL	C	PIN CONNECTOR PCB 90 DEG NECTOR* M-LINE	F	293590-3
	NATURAL	B	PIN CONNECTOR PCB 90 DEG NECTOR* M-LINE	F	293590-2
	NATURAL	A	PIN CONNECTOR PCB 90 DEG NECTOR* M-LINE	F	293590-1
	COLOUR	POL. KEYING	DESCRIPTION	REV.	PART NUMBER



THIS DRAWING IS A CONTROLLED DOCUMENT.

DIMENSIONS:	TOLERANCES UNLESS OTHERWISE SPECIFIED:
mm	
	0 PLC ±-
	1 PLC ±0.3
	2 PLC ±0.20
	3 PLC ±-
	4 PLC ±-
	ANGLES ±3°
MATERIAL -	FINISH -

DWN	M. ZUCCA	28OCT2009
CHK	M. ZUCCA	28OCT2009
APVD	G. TURCO	28OCT2009
PRODUCT SPEC	108-20304	
APPLICATION SPEC	114-20152	
WEIGHT	-	
Customer Drawing		

STE TE Connectivity			
NAME PIN CONNECTOR PCB VERTICAL VERSION NECTOR* M-LINE 3 POS. UNSEALED			
SIZE	CAGE CODE	DRAWING NO	RESTRICTED TO
A3	00779	C-293590	-
SCALE 3:1		SHEET 1 OF 3	REV F2

THIS DRAWING IS UNPUBLISHED.

RELEASED FOR PUBLICATION

2011

© COPYRIGHT 2011 BY -

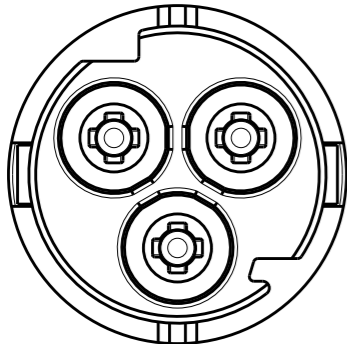
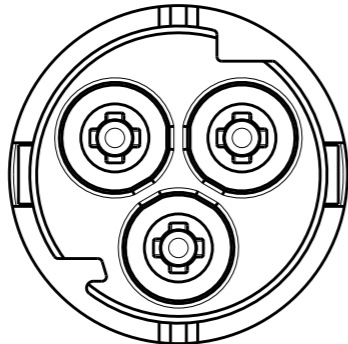
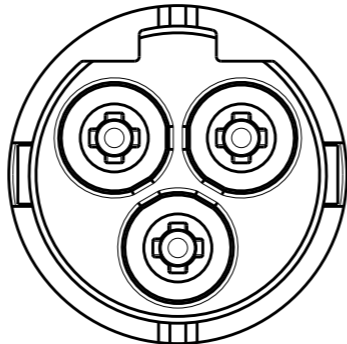
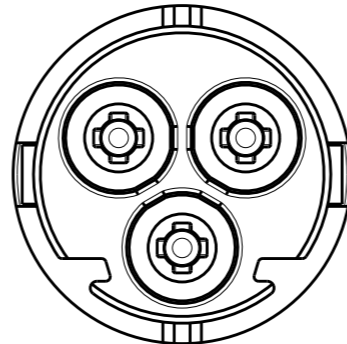
ALL RIGHTS RESERVED.

LOC	DIST
	-

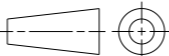
REVISIONS

P	LTR	DESCRIPTION	DATE	DWN	APVD
-		SEE SHEET 1	-	-	-

POLARIZATION KEYS

TYPE "A"	TYPE "B"	TYPE "C"	TYPE "D"
P/N 293590-1 AS SHOWN	P/N 293590-2 AS SHOWN	P/N 293590-3 AS SHOWN	P/N 293590-4 AS SHOWN
			

THIS DRAWING IS A CONTROLLED DOCUMENT.

DIMENSIONS:	TOLERANCES UNLESS OTHERWISE SPECIFIED:
mm	0 PLC ±-
	1 PLC ±0.3
	2 PLC ±0.20
	3 PLC ±-
	4 PLC ±-
	ANGLES ±3°

MATERIAL -

FINISH -

DWN M. ZUCCA 28OCT2009
 CHK M. ZUCCA 28OCT2009
 APVD G. TURCO 28OCT2009

PRODUCT SPEC 108-20304
 APPLICATION SPEC 114-20152
 WEIGHT -

Customer Drawing



NAME
 PIN CONNECTOR PCB
 VERTICAL VERSION
 NECTOR* M-LINE 3 POS. UNSEALED

SIZE	CAGE CODE	DRAWING NO	RESTRICTED TO
A3	00779	C-293590	-

SCALE 3:1 SHEET 2 OF 3 REV F2

THIS DRAWING IS UNPUBLISHED.

RELEASED FOR PUBLICATION

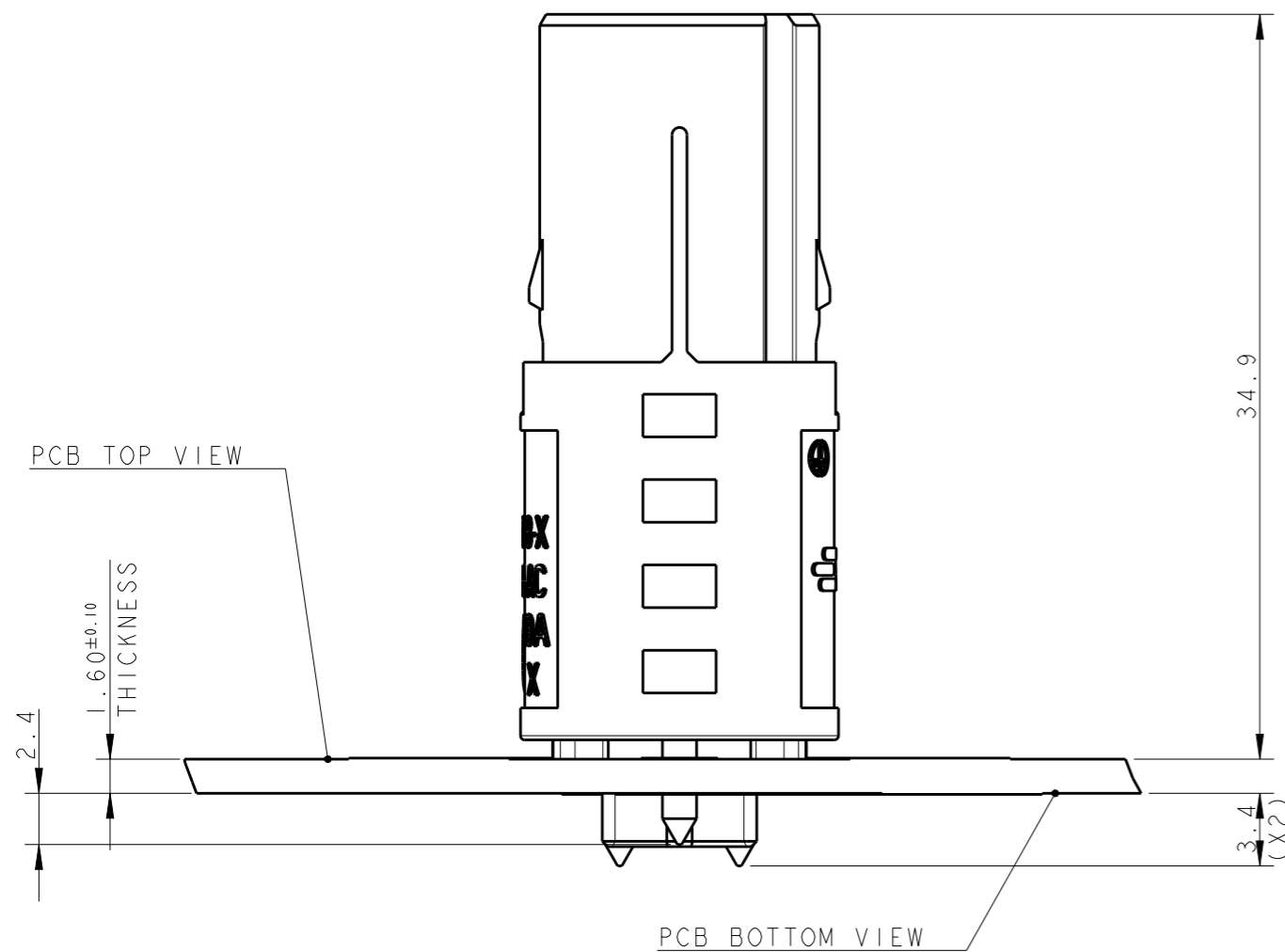
2011

© COPYRIGHT 2011 BY -

ALL RIGHTS RESERVED.

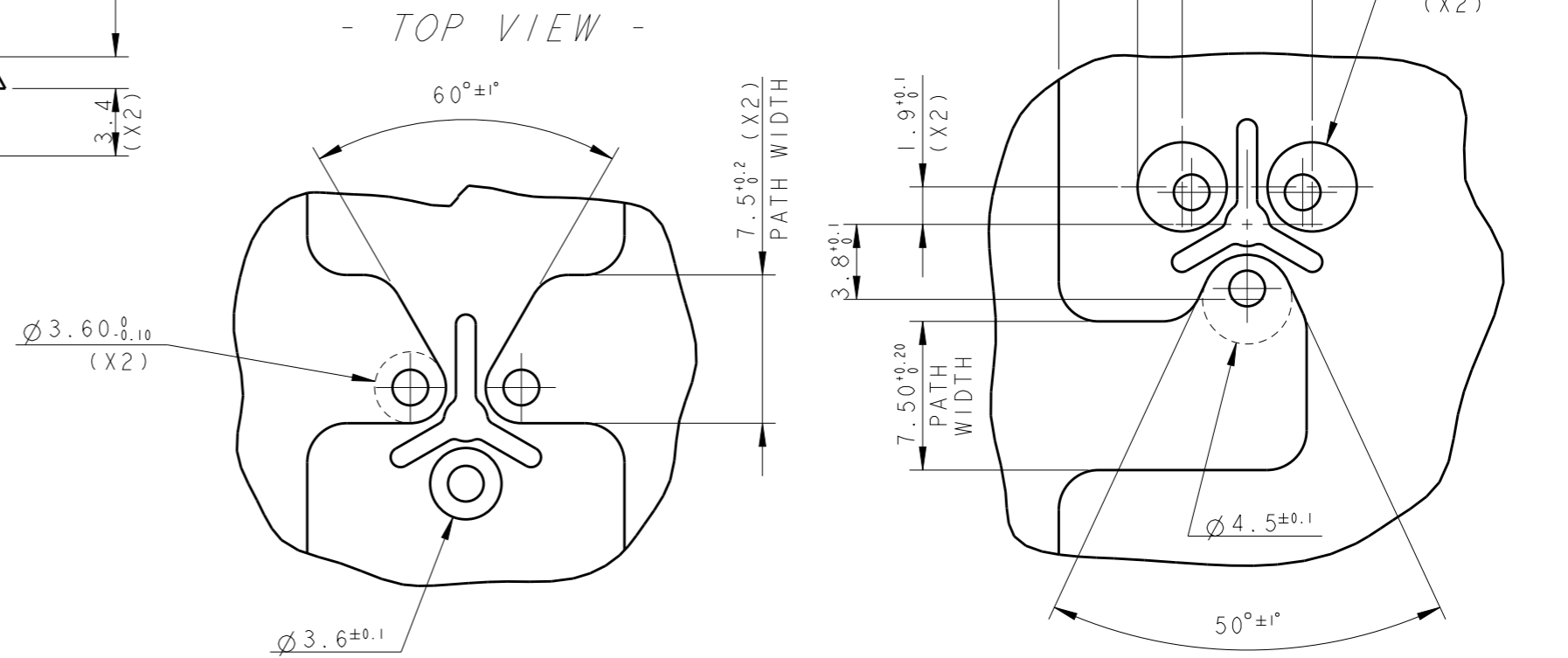
LOC	DIST
1	-

REVISIONS					
P	LTR	DESCRIPTION	DATE	DWN	APVD
	-	SEE SHEET 1	-	-	-

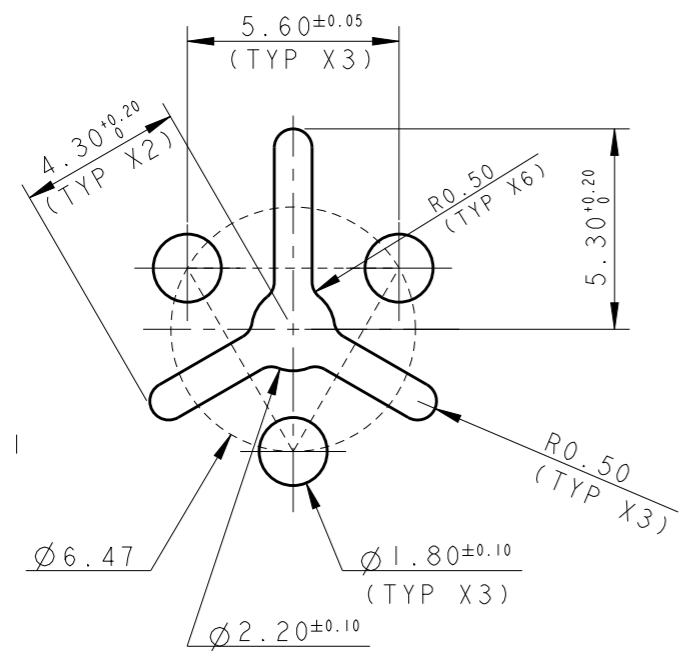


SUGGESTED L, N AND PE TRACKS LAYOUT ON PCB


- BOTTOM VIEW -



SUGGESTED PCB LAYOUT



SCALE 5:1

THIS DRAWING IS A CONTROLLED DOCUMENT.		DWN M. ZUCCA 28OCT2009	 TE Connectivity	
DIMENSIONS: mm		CHK M. ZUCCA 28OCT2009		
TOLERANCES UNLESS OTHERWISE SPECIFIED:		APVD G. TURCO 28OCT2009	NAME PIN CONNECTOR PCB VERTICAL VERSION NECTOR* M-LINE 3 POS. UNSEALED	
0 PLC ±- 1 PLC ±0.3 2 PLC ±0.20 3 PLC ±- 4 PLC ±- ANGLES ±3°		PRODUCT SPEC 108-20304	SIZE A300779	
MATERIAL -		APPLICATION SPEC 114-20152	DRAWING NO C-293590	
FINISH -		WEIGHT -	RESTRICTED TO -	
Customer Drawing		SCALE 3:1	SHEET 3 OF 3 REV F2	

X-ON Electronics

Largest Supplier of Electrical and Electronic Components

Click to view similar products for [Lighting Connectors](#) category:

Click to view products by [TE Connectivity](#) manufacturer:

Other Similar products are found below :

[293300-7](#) [293660-5](#) [CNX_H03_NTP](#) [30-9767-BU](#) [3605](#) [3-21030-1](#) [ZCH-110-RGB-I](#) [503471-0290](#) [ZCH-110-RGB-J](#) [217-0716-200](#)
[1954563-1](#) [1-293657-2](#) [2834036-1](#) [2834037-1](#) [1-2213222-4](#) [2-2213222-4](#) [2213222-4](#) [2834122-3](#) [2834122-5](#) [2834135-2](#) [FLA-R4142-30](#)
[FLA-R4162-30](#) [FLA-R2142-30](#) [FLA-R2141-30](#) [FLA-R2162-30](#) [FLA-R2161-30](#) [FLA-R0161-30](#) [FLA-R0141-30](#) [FLA-R0142-30](#) [FLA-](#)
[R0162-30](#) [FLA-C00-00](#) [DGA00010553](#) [CNXV04NTP](#) [104128-0610](#) [503485-0000 \(Cut Strip\)](#) [503485-0000 \(Loose Piece\)](#) [503485-0000](#)
[\(MINI Reel\)](#) [1-2834074-2](#) [1-2834074-3](#) [1357-AC PLUG W2C \(CHINA\)](#) [1357-AC PLUG W2 \(USA\)](#) [104266-0110](#) [2106212-1](#) [2-2834074-2](#)
[104266-0210](#) [293470-1](#) [293651-2](#) [293651-4](#) [1-2834006-2](#) [293651-1](#)