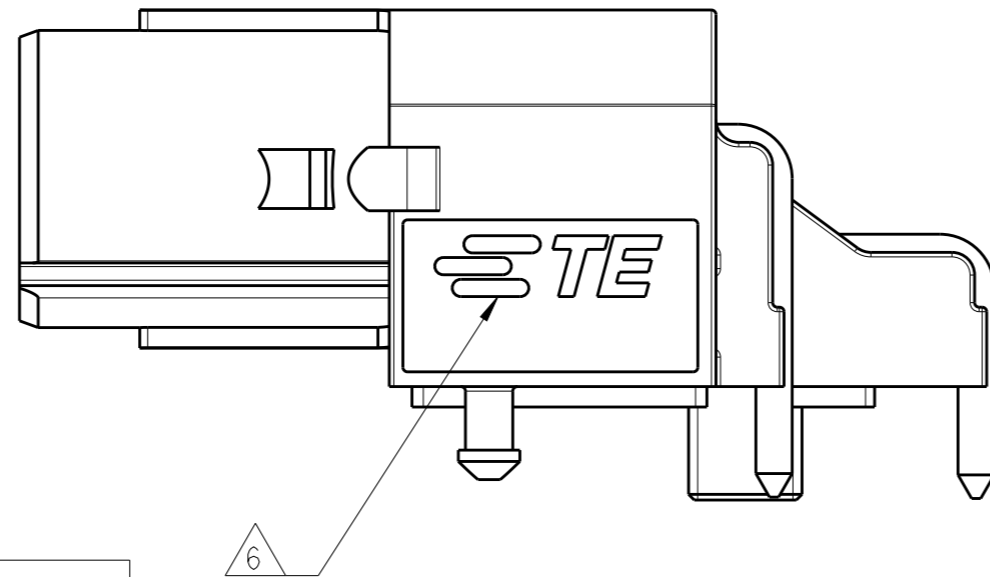
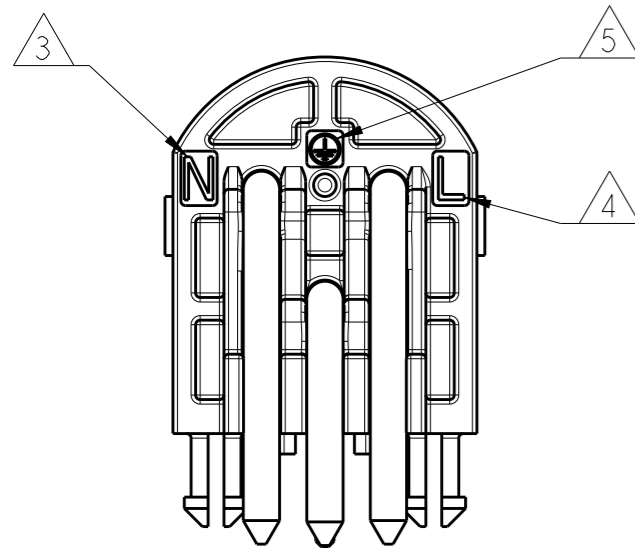
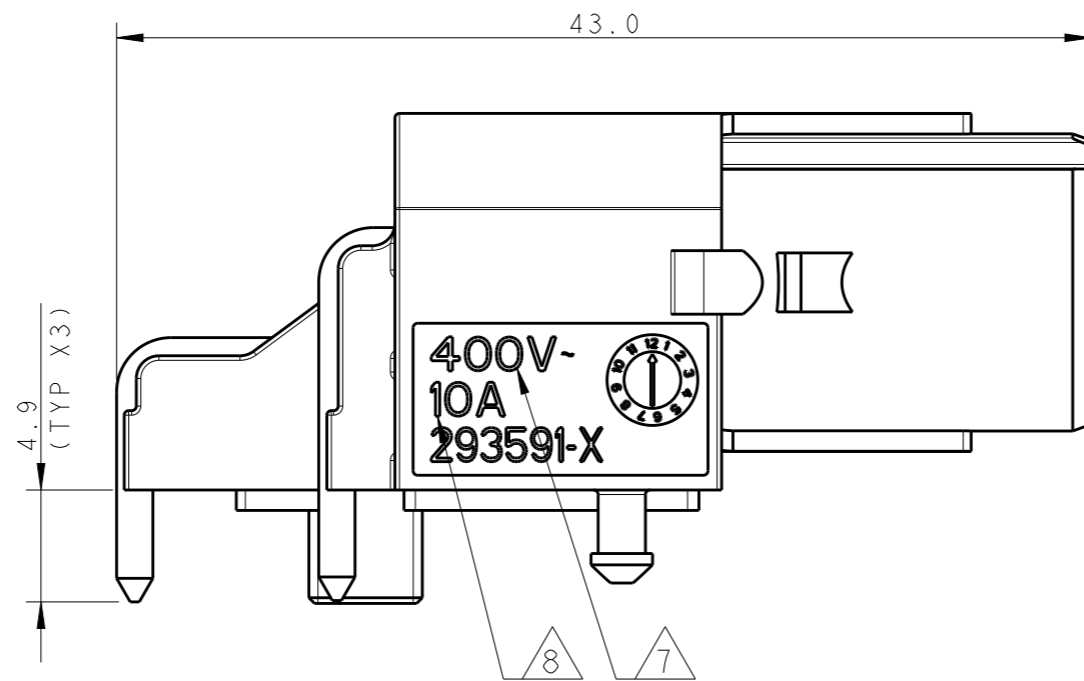
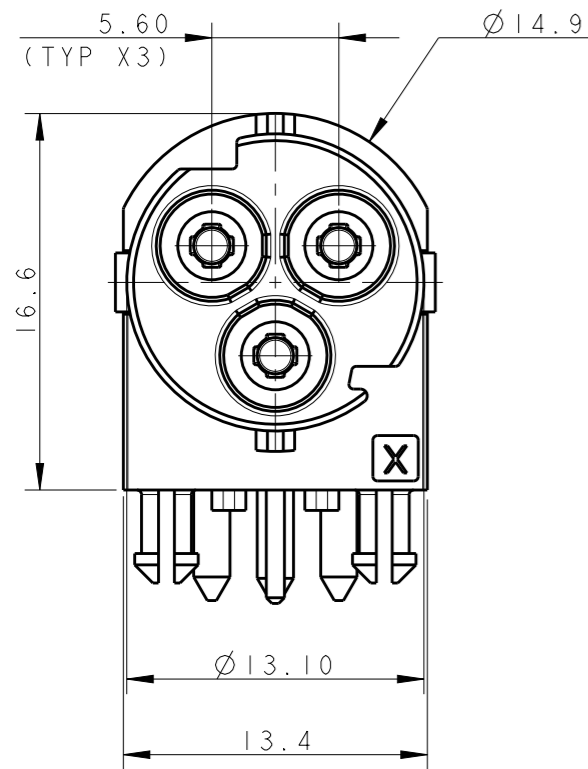


THIS DRAWING IS UNPUBLISHED. RELEASED FOR PUBLICATION 2011  
 © COPYRIGHT 2011 BY - ALL RIGHTS RESERVED.

LOC	DIST	REVISIONS			
P	LTR	DESCRIPTION	DATE	DWN	APVD
	E	UPDATED	12DEC2012	MZ	JC
	F	PARTS -1, -2, -3 RELEASED FOR PRODUCTION	27JUN2013	KR	JC
	F1	REVISED PART NUMBERS	17JUL2017	SK	MZ
	F2	REVISED PER ECR-18-006945	20SEP2018	SR	MZ

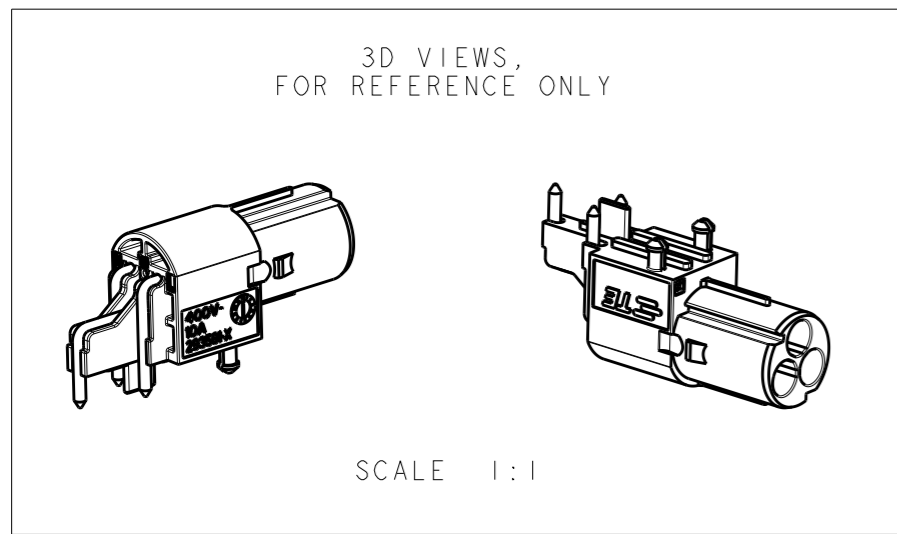


NOTES:

- 1) MATERIAL: POLYAMIDE GLASS FILLED COLOUR NATURAL
- 2) PACKAGING: SEE TE PACKAGING SPECIFICATION 107-20294

- △3 N CODE
- △4 L CODE
- △5 PE CODE
- △6 TE LOGO
- △7 RATED VOLTAGE
- △8 RATED CURRENT

OBSOLETE	NATURAL	D	PIN CONNECTOR PCB 90 DEG NECTOR* M-LINE	I	293593-4
	NATURAL	C	PIN CONNECTOR PCB 90 DEG NECTOR* M-LINE	F	293593-3
	NATURAL	B	PIN CONNECTOR PCB 90 DEG NECTOR* M-LINE	F	293593-2
	NATURAL	A	PIN CONNECTOR PCB 90 DEG NECTOR* M-LINE	F	293593-1
COLOUR	POL. KEYING		DESCRIPTION	REV.	PART NUMBER



THIS DRAWING IS A CONTROLLED DOCUMENT.

DIMENSIONS:	TOLERANCES UNLESS OTHERWISE SPECIFIED:
mm	
	0 PLC ±-
	1 PLC ±0.3
	2 PLC ±0.20
	3 PLC ±-
	4 PLC ±-
	ANGLES ±3°
MATERIAL -	FINISH -

DWN M. ZUCCA 30OCT2009	<b>STE</b> TE Connectivity			
CHK M. ZUCCA 30OCT2009				
APVD G. TURCO 30OCT2009	NAME			
PRODUCT SPEC 108-20304	PIN CONNECTOR PCB STRAIGHT VERSION NECTOR* M-LINE			
APPLICATION SPEC 114-20152	SIZE	CAGE CODE	DRAWING NO	RESTRICTED TO
WEIGHT -	A300779	C-293593		-
Customer Drawing	SCALE 3:1	SHEET 1 OF 3	REV F2	

THIS DRAWING IS UNPUBLISHED.

RELEASED FOR PUBLICATION

2011

© COPYRIGHT 2011 BY -

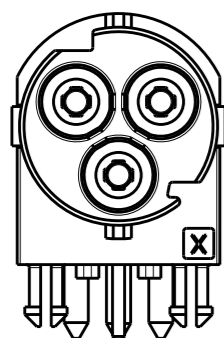
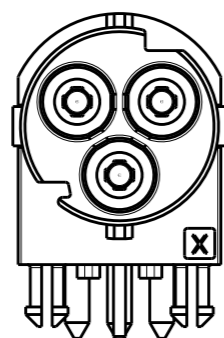
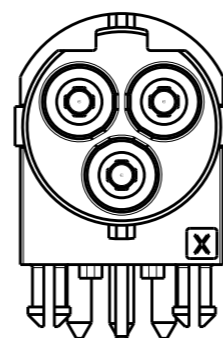
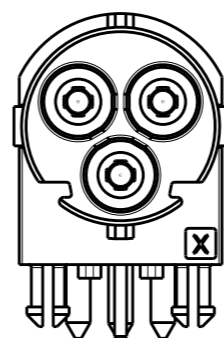
ALL RIGHTS RESERVED.

LOC 1 DIST -

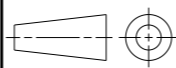
REVISIONS

P	LTR	DESCRIPTION	DATE	DWN	APVD
-	-	SEE SHEET 1	-	-	-

POLARIZATION KEYS

TYPE "A"	TYPE "B"	TYPE "C"	TYPE "D"
P/N 293593-1 AS SHOWN	P/N 293593-2 AS SHOWN	P/N 293593-3 AS SHOWN	<del>P/N 293593-4</del> AS SHOWN
			

THIS DRAWING IS A CONTROLLED DOCUMENT.

DIMENSIONS: mm	
	
MATERIAL	-

TOLERANCES UNLESS OTHERWISE SPECIFIED:	
0 PLC	±-
1 PLC	±0.3
2 PLC	±0.20
3 PLC	±-
4 PLC	±-
ANGLES	±3°
FINISH	-

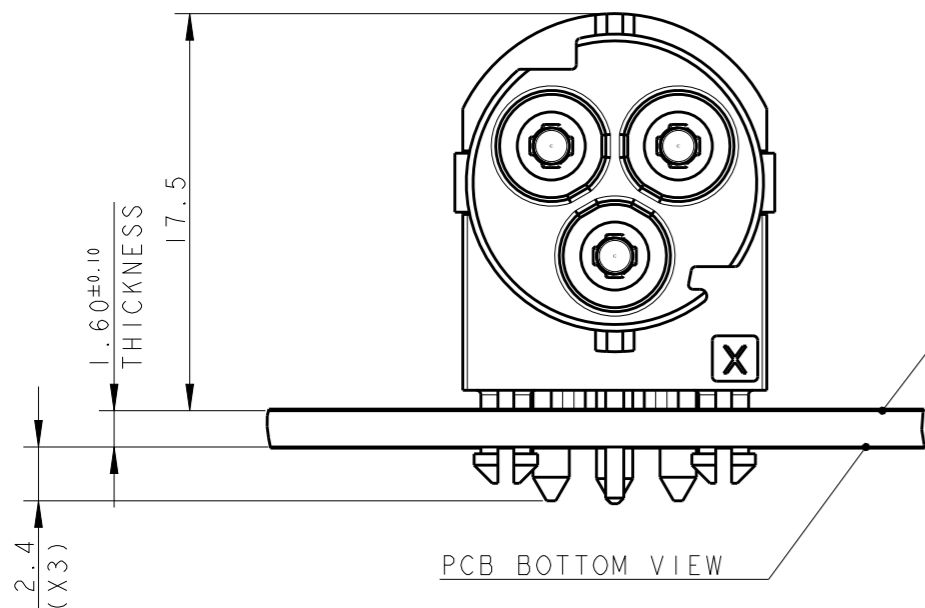
DWN	M. ZUCCA	30OCT2009
CHK	M. ZUCCA	30OCT2009
APVD	G. TURCO	30OCT2009
PRODUCT SPEC	108-20304	
APPLICATION SPEC	114-20152	
WEIGHT	-	
Customer Drawing		



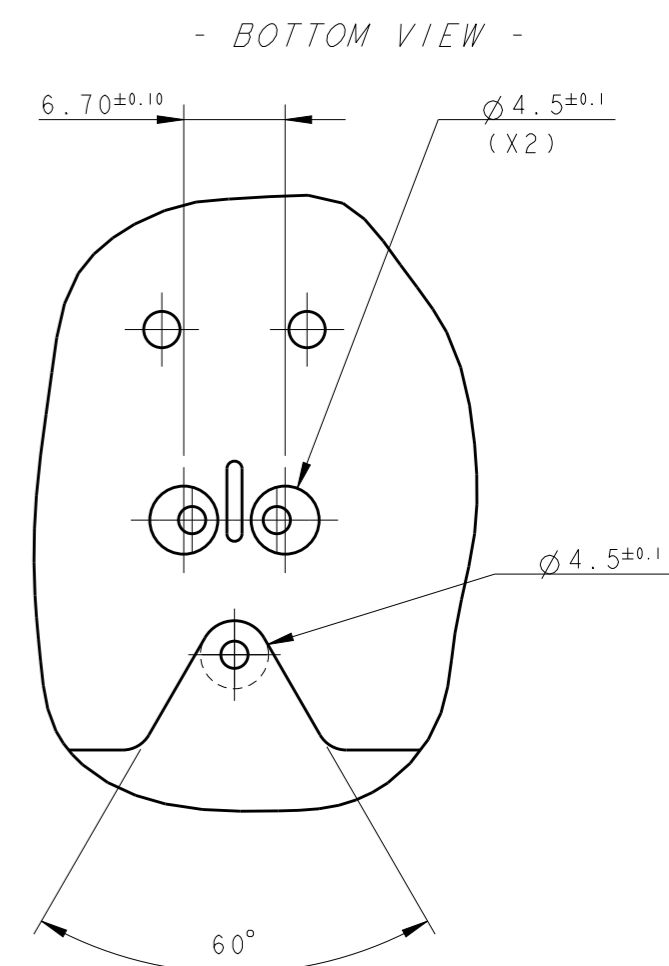
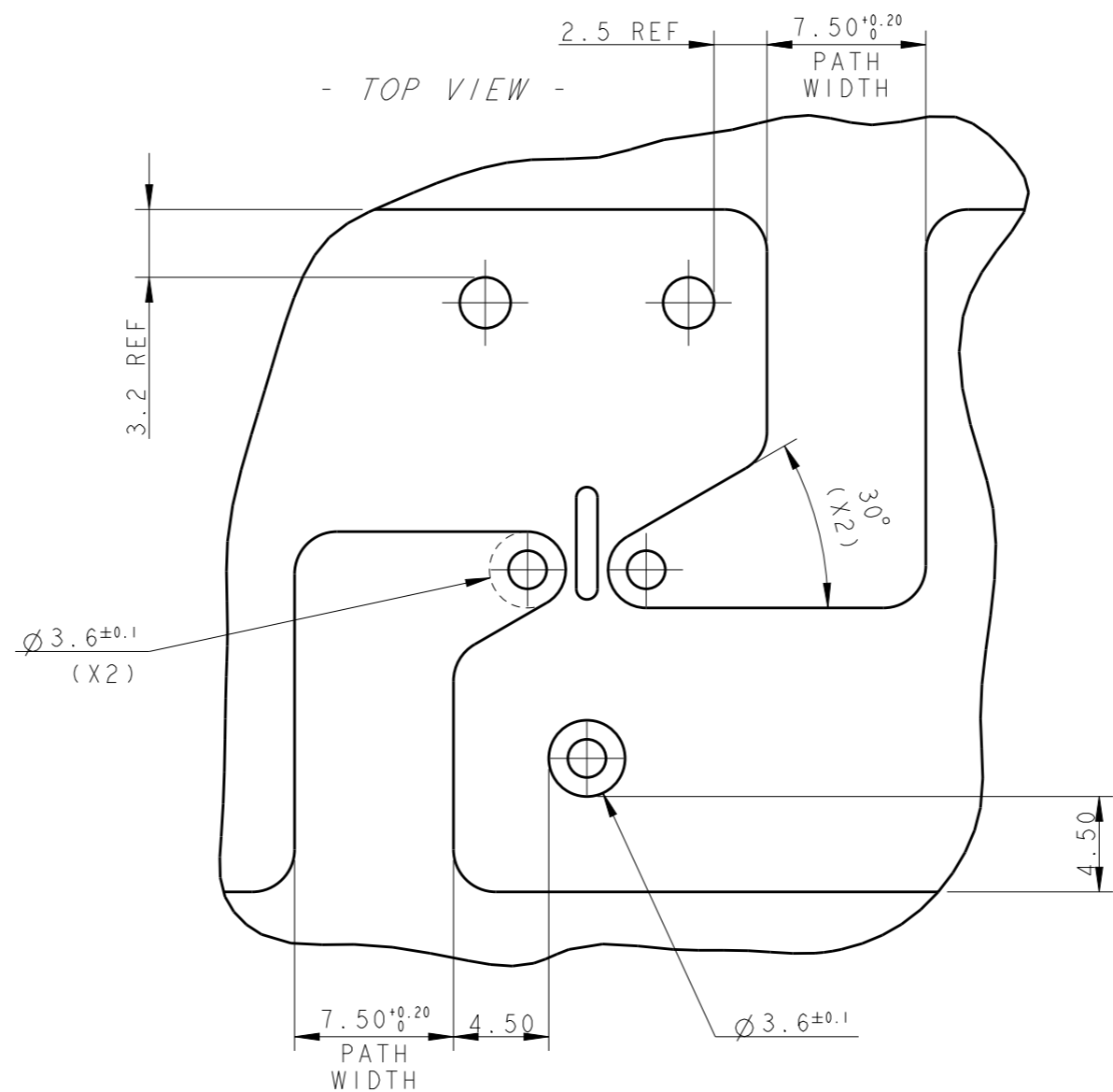
NAME PIN CONNECTOR PCB STRAIGHT VERSION NECTOR* M-LINE			
SIZE	CAGE CODE	DRAWING NO	RESTRICTED TO
A3	00779	C-293593	-
SCALE 2:1		SHEET 2 OF 3	REV F2

LOC	DIST
1	-

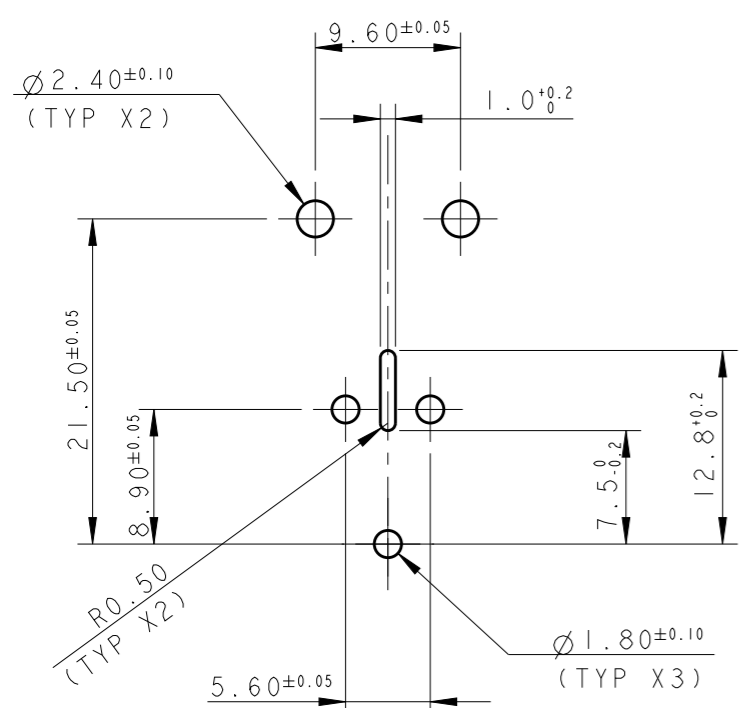
REVISIONS				
P	LTR	DESCRIPTION	DATE	APVD
-	-	SEE SHEET 1	-	-



SUGGESTED L, N AND PE TRACKS LAYOUT ON PCB



SUGGESTED PCB LAYOUT CUT-OUT



SCALE 2:1

THIS DRAWING IS A CONTROLLED DOCUMENT.		DWN M. ZUCCA 30OCT2009	<b>STE</b> TE Connectivity
		CHK M. ZUCCA 30OCT2009	
		APVD G. TURCO 30OCT2009	NAME
DIMENSIONS: mm		PRODUCT SPEC 108-20304	PIN CONNECTOR PCB STRAIGHT VERSION NECTOR* M-LINE
TOLERANCES UNLESS OTHERWISE SPECIFIED:		APPLICATION SPEC 114-20152	SIZE
0 PLC ±-	1 PLC ±0.3	WEIGHT -	CAGE CODE
2 PLC ±0.20	3 PLC ±-	Customer Drawing	DRAWING NO
4 PLC ±-	ANGLES ±3°	SCALE 3:1	A300779C-293593
MATERIAL -	FINISH -	SHEET 3 OF 3	RESTRICTED TO -
		REV F2	

## X-ON Electronics

Largest Supplier of Electrical and Electronic Components

*Click to view similar products for [Lighting Connectors](#) category:*

*Click to view products by [TE Connectivity](#) manufacturer:*

Other Similar products are found below :

[293300-7](#) [293660-5](#) [CNX\\_H03\\_NTP](#) [30-9767-BU](#) [3605](#) [3-21030-1](#) [ZCH-110-RGB-I](#) [503471-0290](#) [ZCH-110-RGB-J](#) [217-0716-200](#)  
[1954563-1](#) [1-293657-2](#) [2834036-1](#) [2834037-1](#) [1-2213222-4](#) [2-2213222-4](#) [2213222-4](#) [2834122-3](#) [2834122-5](#) [2834135-2](#) [FLA-R4142-30](#)  
[FLA-R4162-30](#) [FLA-R2142-30](#) [FLA-R2141-30](#) [FLA-R2162-30](#) [FLA-R2161-30](#) [FLA-R0161-30](#) [FLA-R0141-30](#) [FLA-R0142-30](#) [FLA-](#)  
[R0162-30](#) [FLA-C00-00](#) [DGA00010553](#) [CNXV04NTP](#) [104128-0610](#) [503485-0000 \(Cut Strip\)](#) [503485-0000 \(Loose Piece\)](#) [503485-0000](#)  
[\(MINI Reel\)](#) [1-2834074-2](#) [1-2834074-3](#) [1357-AC PLUG W2C \(CHINA\)](#) [1357-AC PLUG W2 \(USA\)](#) [104266-0110](#) [2106212-1](#) [2-2834074-2](#)  
[104266-0210](#) [293470-1](#) [293651-2](#) [293651-4](#) [1-2834006-2](#) [293651-1](#)