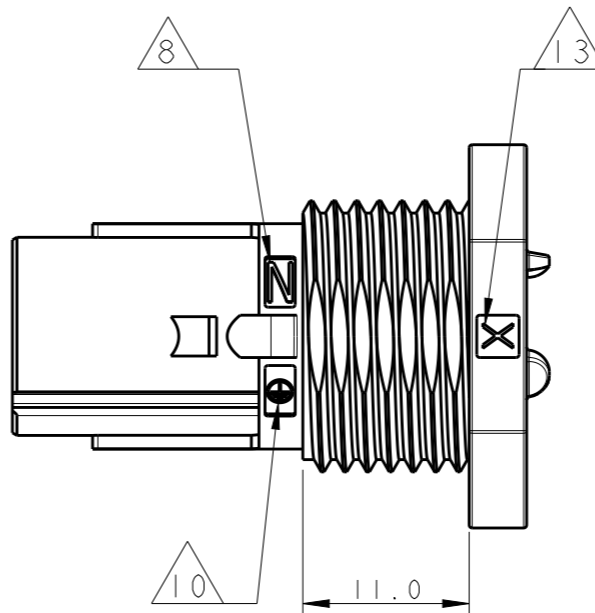
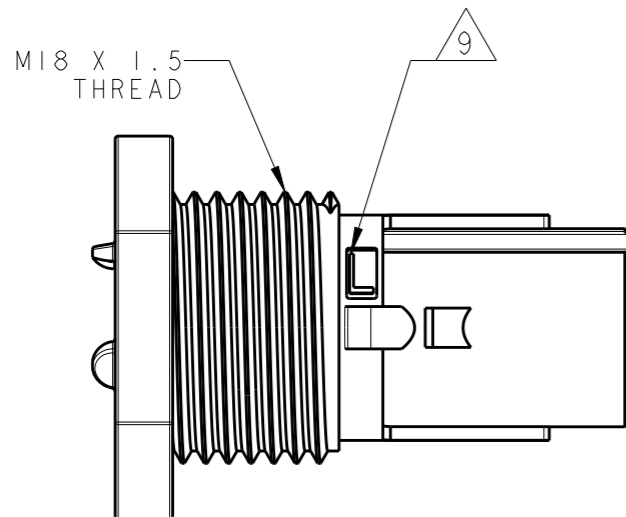
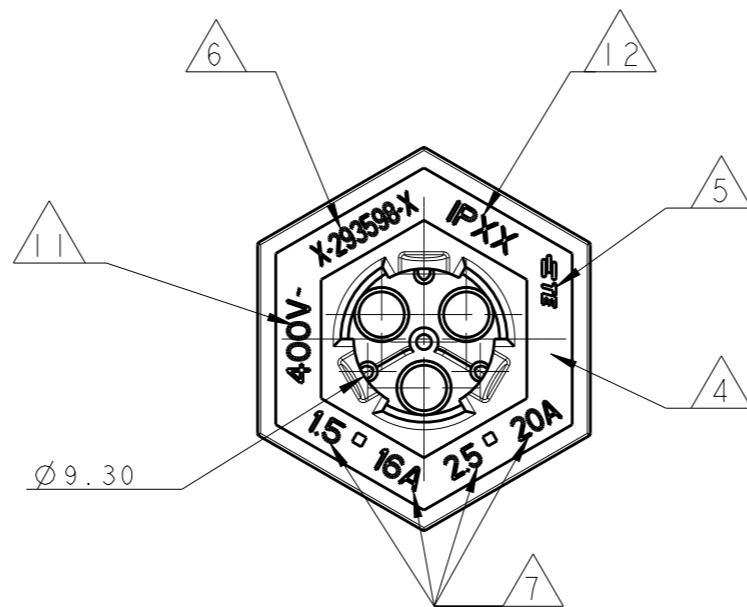
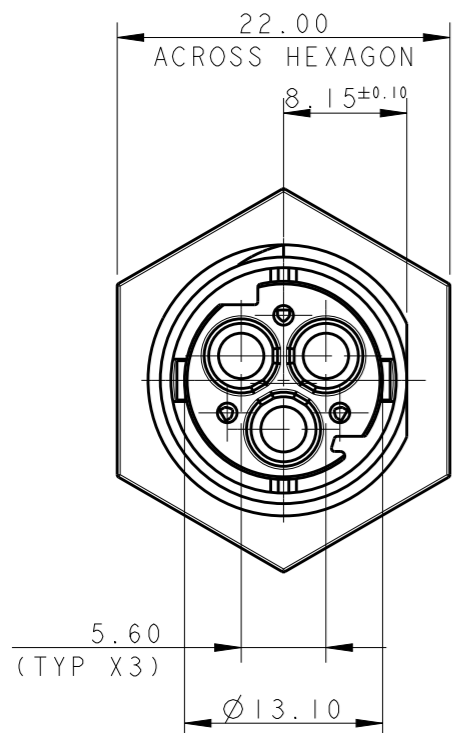


THIS DRAWING IS UNPUBLISHED. RELEASED FOR PUBLICATION 2011
 © COPYRIGHT 2011 BY - ALL RIGHTS RESERVED.

LOC	DIST	REVISIONS				
P	LTR	DESCRIPTION	DATE	DWN	APVD	
1	-	E1	REVISED MARKINGS	06NOV2012	MZ	JC
		F	PARTS -2, -3, 1-2, 1-3 RELEASED FOR PRODUCTION	26JUN2013	KR	JC
		G	REVISED PART NUMBERS AND ALIGNED REVISIONS	17JUL2017	SK	MZ
		G1	REVISED PER ECR-18-006945	20SEP2018	SR	MZ




- NOTES:
- 1 MATERIAL: POLYAMIDE GLASS FILLED COLOUR NATURAL
 - 2 MATERIAL: POLYAMIDE GLASS FILLED COLOUR BLACK
 - 3 PACKAGING: SEE TE PACKAGING SPECIFICATION 107-20294
 - 4 AREA FOR AGENCY APPROVAL LOGO
 - 5 TE LOGO
 - 6 TE PART NUMBER
 - 7 CONDUCTOR SIZE AND CURRENT RATING
 - 8 N CODE
 - 9 L CODE
 - 10 PE CODE
 - 11 RATED VOLTAGE
 - 12 IP CODE
 - 13 CAVITY MOULD CODE

3D VIEWS, FOR REFERENCE ONLY



SCALE 1:1

THIS DRAWING IS A CONTROLLED DOCUMENT.		DWN M. ZUCCA 29OCT2009	 TE Connectivity	
DIMENSIONS: mm		CHK M. ZUCCA 29OCT2009		
TOLERANCES UNLESS OTHERWISE SPECIFIED:		APVD G. TURCO 29OCT2009	NAME	
0 PLC ±-		PRODUCT SPEC 108-20304	PIN HOUSING	
1 PLC ±0.3		APPLICATION SPEC 114-20452	PANEL MOUNT VERSION	
2 PLC ±0.20		WEIGHT ~6.2 g	SIZE A3	CAGE CODE 00779
3 PLC ±-		Customer Drawing	DRAWING NO	RESTRICTED TO
4 PLC ±-			SCALE 2:1	SHEET 1 OF 4
ANGLES ±3°				REV G1
FINISH -				

THIS DRAWING IS UNPUBLISHED.

RELEASED FOR PUBLICATION

2011

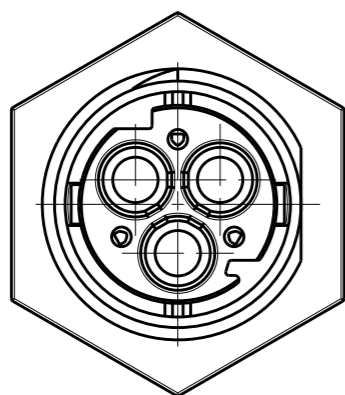
© COPYRIGHT 2011 BY -

ALL RIGHTS RESERVED.

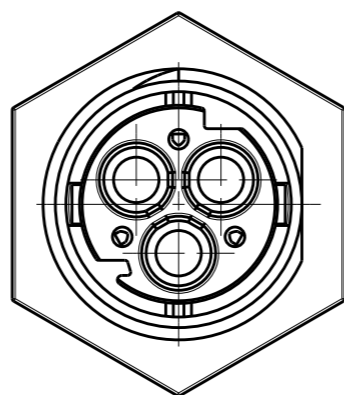
LOC	DIST	REVISIONS					
		P	LTR	DESCRIPTION	DATE	DWN	APVD
1	-	-	-	SEE SHEET 1	-	-	-

PLARIZATION KEYS

TYPE "A"



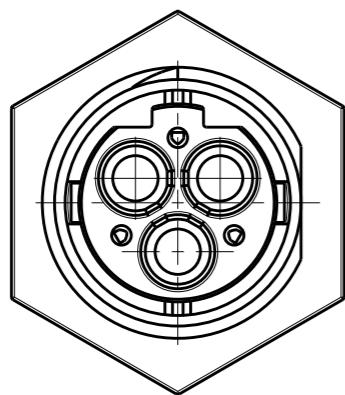
TYPE "B"



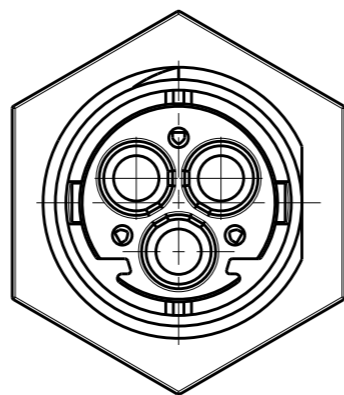
P/Ns: 0-293598-1,
1-293598-1, ~~2-293598-1~~

P/Ns: 0-293598-2,
1-293598-2, ~~2-293598-2~~

TYPE "C"



TYPE "D"

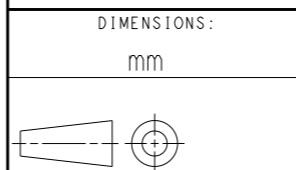


P/Ns: 0-293598-3,
1-293598-3, ~~2-293598-3~~

P/Ns: ~~0-293598-4,~~
~~1-293598-4, 2-293598-4~~

OBSOLETE	67	D	BLACK	△ ₂	PIN HSG PANEL MOUNT VERS. NECTOR* M-LINE	A	2-293598-4
	67	C	BLACK	△ ₂	PIN HSG PANEL MOUNT VERS. NECTOR* M-LINE	D	2-293598-3
	67	B	BLACK	△ ₂	PIN HSG PANEL MOUNT VERS. NECTOR* M-LINE	D	2-293598-2
	67	A	BLACK	△ ₂	PIN HSG PANEL MOUNT VERS. NECTOR* M-LINE	D	2-293598-1
	40	D	BLACK	△ ₂	PIN HSG PANEL MOUNT VERS. NECTOR* M-LINE	G	1-293598-4
OBSOLETE	40	C	BLACK	△ ₂	PIN HSG PANEL MOUNT VERS. NECTOR* M-LINE	G	1-293598-3
	40	B	BLACK	△ ₂	PIN HSG PANEL MOUNT VERS. NECTOR* M-LINE	G	1-293598-2
	40	A	BLACK	△ ₂	PIN HSG PANEL MOUNT VERS. NECTOR* M-LINE	G	1-293598-1
	40	D	NATURAL	△ ₁	PIN HSG PANEL MOUNT VERS. NECTOR* M-LINE	G	0-293598-4
OBSOLETE	40	C	NATURAL	△ ₁	PIN HSG PANEL MOUNT VERS. NECTOR* M-LINE	G	0-293598-3
	40	B	NATURAL	△ ₁	PIN HSG PANEL MOUNT VERS. NECTOR* M-LINE	G	0-293598-2
	40	A	NATURAL	△ ₁	PIN HSG PANEL MOUNT VERS. NECTOR* M-LINE	G	0-293598-1
		IP DEGREE CODE	POL. KEYING	COLOUR	MATERIAL	DESCRIPTION	REV.

THIS DRAWING IS A CONTROLLED DOCUMENT.



DIMENSIONS:	TOLERANCES UNLESS OTHERWISE SPECIFIED:
mm	
0 PLC	±
1 PLC	±0.3
2 PLC	±0.20
3 PLC	±
4 PLC	±
ANGLES	±3°
FINISH	-

MATERIAL SEE NOTES

DWN	M. ZUCCA	29OCT2009
CHK	M. ZUCCA	29OCT2009
APVD	G. TURCO	29OCT2009
PRODUCT SPEC	108-20304	
APPLICATION SPEC	114-20452	
WEIGHT	~6.2 g	

STE TE Connectivity

NAME: PIN HOUSING PANEL MOUNT VERSION NECTOR* M-LINE

SIZE	CAGE CODE	DRAWING NO	RESTRICTED TO
A3	00779	C-293598	-

THIS DRAWING IS UNPUBLISHED.

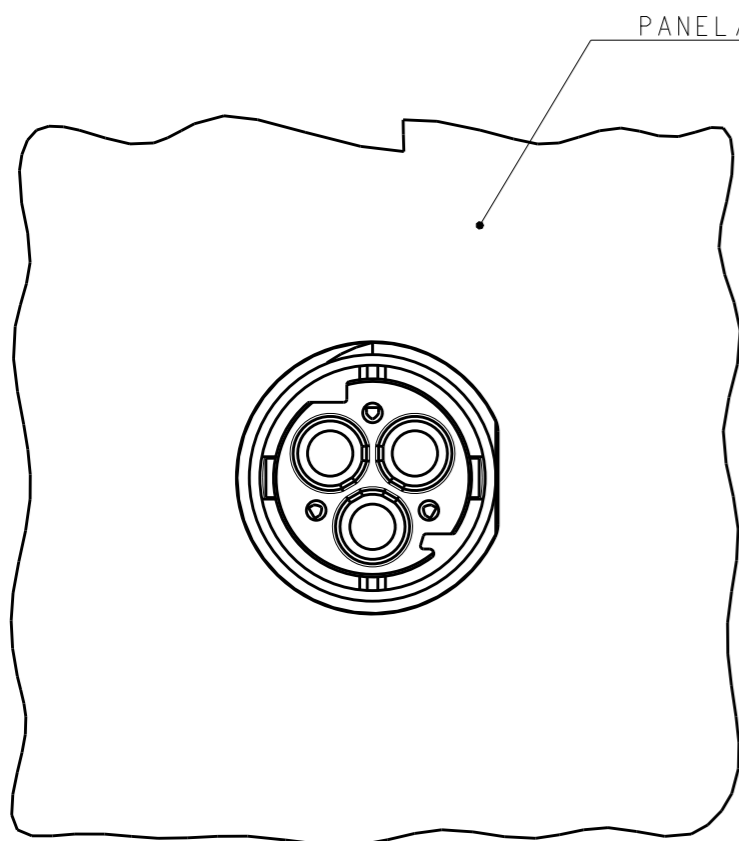
RELEASED FOR PUBLICATION

2011

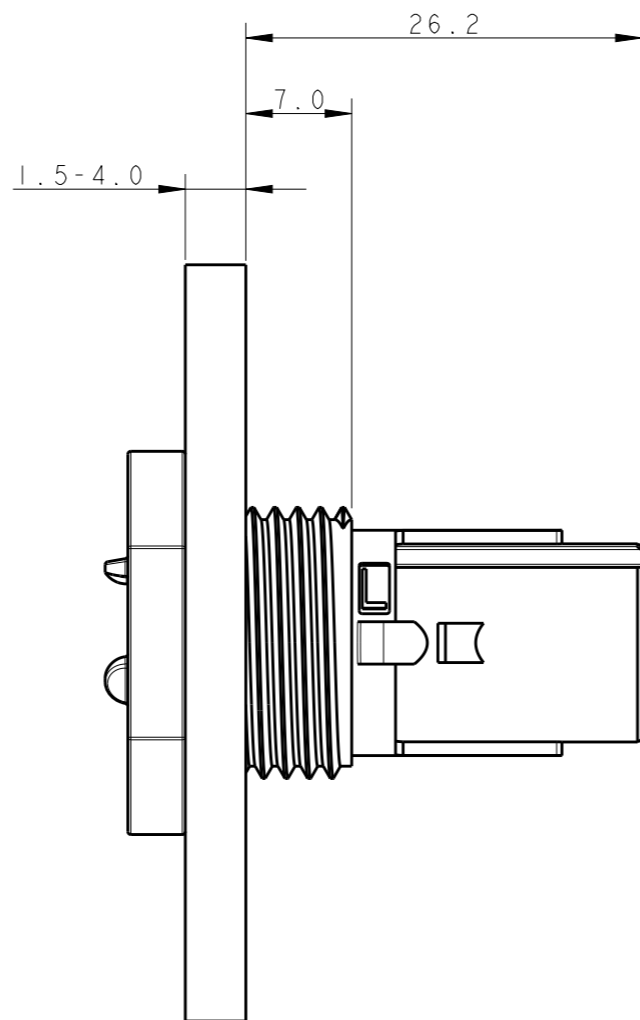
© COPYRIGHT 2011 BY -

ALL RIGHTS RESERVED.

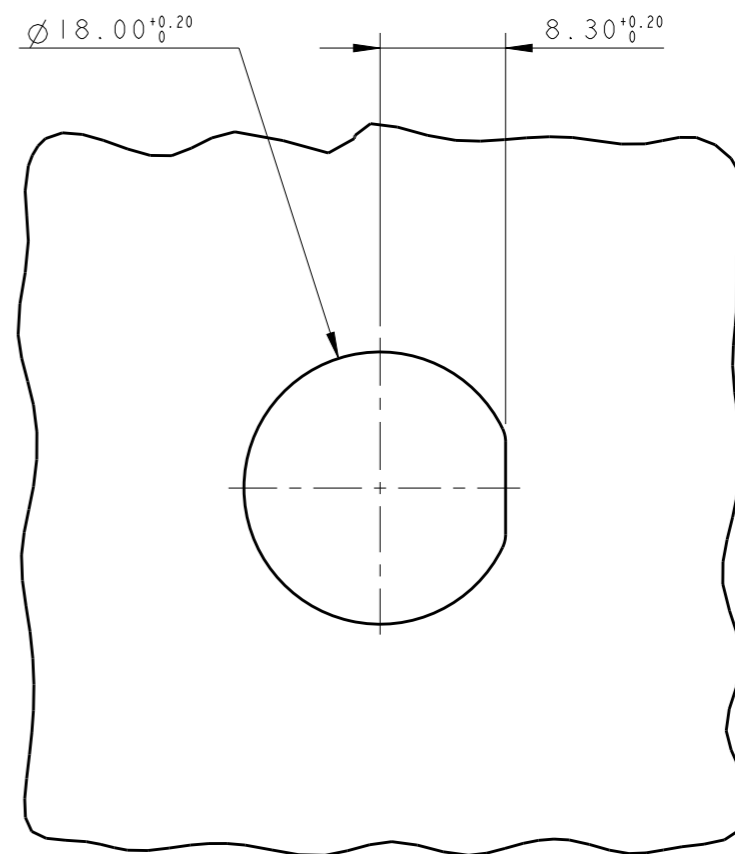
LOC	DIST	REVISIONS					
		P	LTR	DESCRIPTION	DATE	DWN	APVD
1	-	-	-	SEE SHEET 1	-	-	-



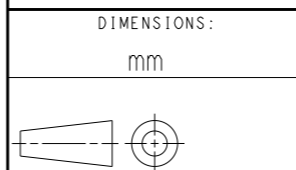
PANEL / WALL



PANEL / WALL
SUGGESTED CUT OUT




THIS DRAWING IS A CONTROLLED DOCUMENT.



MATERIAL SEE NOTES

DIMENSIONS:		TOLERANCES UNLESS OTHERWISE SPECIFIED:	
	mm		
0 PLC	±		
1 PLC	±0.3		
2 PLC	±0.20		
3 PLC	±		
4 PLC	±		
ANGLES	±3°		
FINISH	-		

DWN	M. ZUCCA	29OCT2009
CHK	M. ZUCCA	29OCT2009
APVD	G. TURCO	29OCT2009
PRODUCT SPEC	108-20304	
APPLICATION SPEC	114-20452	
WEIGHT	~6.2 g	

 TE Connectivity		NAME	
		PIN HOUSING PANEL MOUNT VERSION NECTOR* M-LINE	
SIZE	CAGE CODE	DRAWING NO	RESTRICTED TO
A3	00779	C-293598	-

Customer Drawing	SCALE 2:1	SHEET 3 OF 4	REV G1
------------------	-----------	--------------	--------

THIS DRAWING IS UNPUBLISHED.

RELEASED FOR PUBLICATION

2011

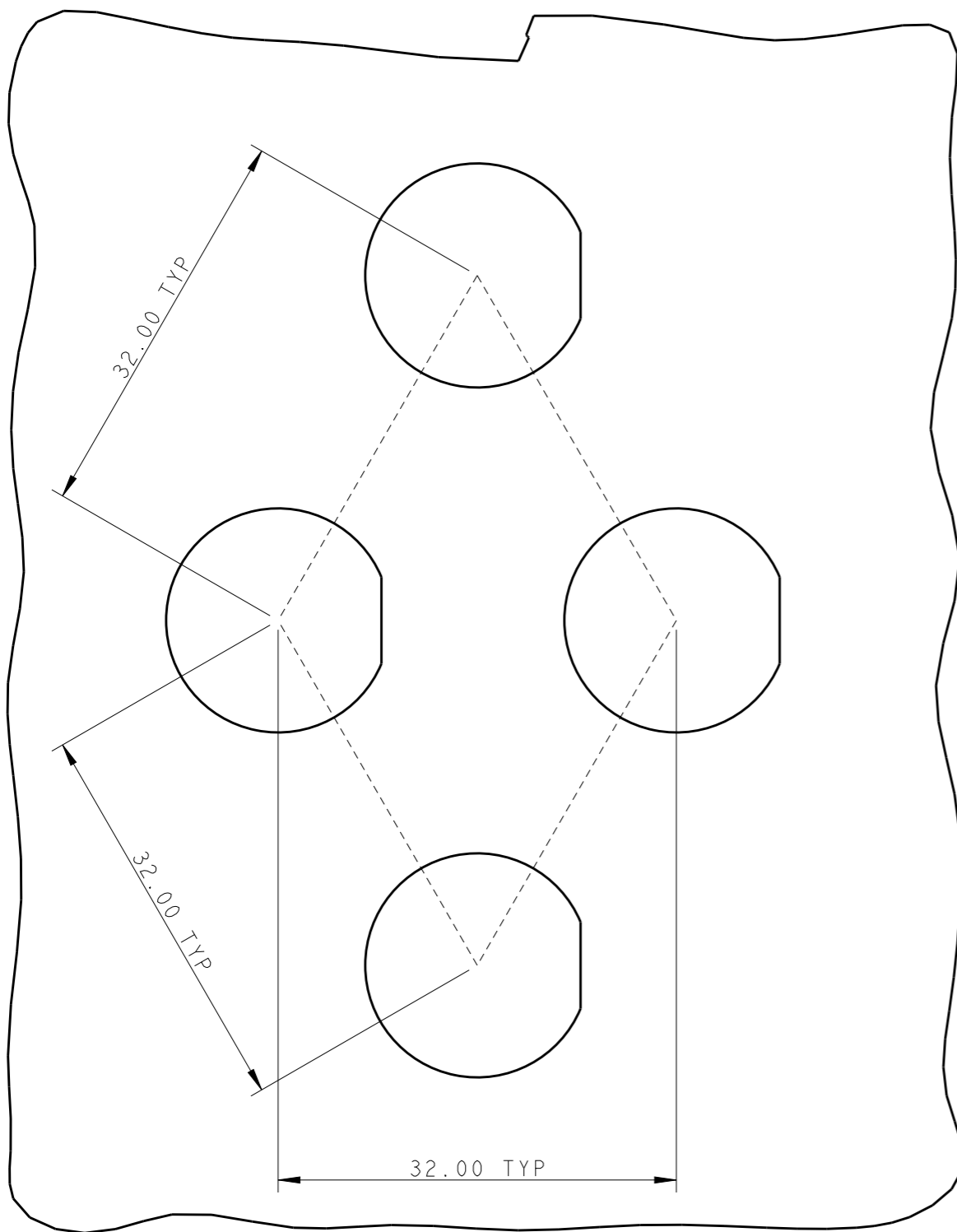
© COPYRIGHT 2011 BY -

ALL RIGHTS RESERVED.

LOC	DIST	REVISIONS					
		P	LTR	DESCRIPTION	DATE	DWN	APVD
1	-	-	-	SEE SHEET 1	-	-	-

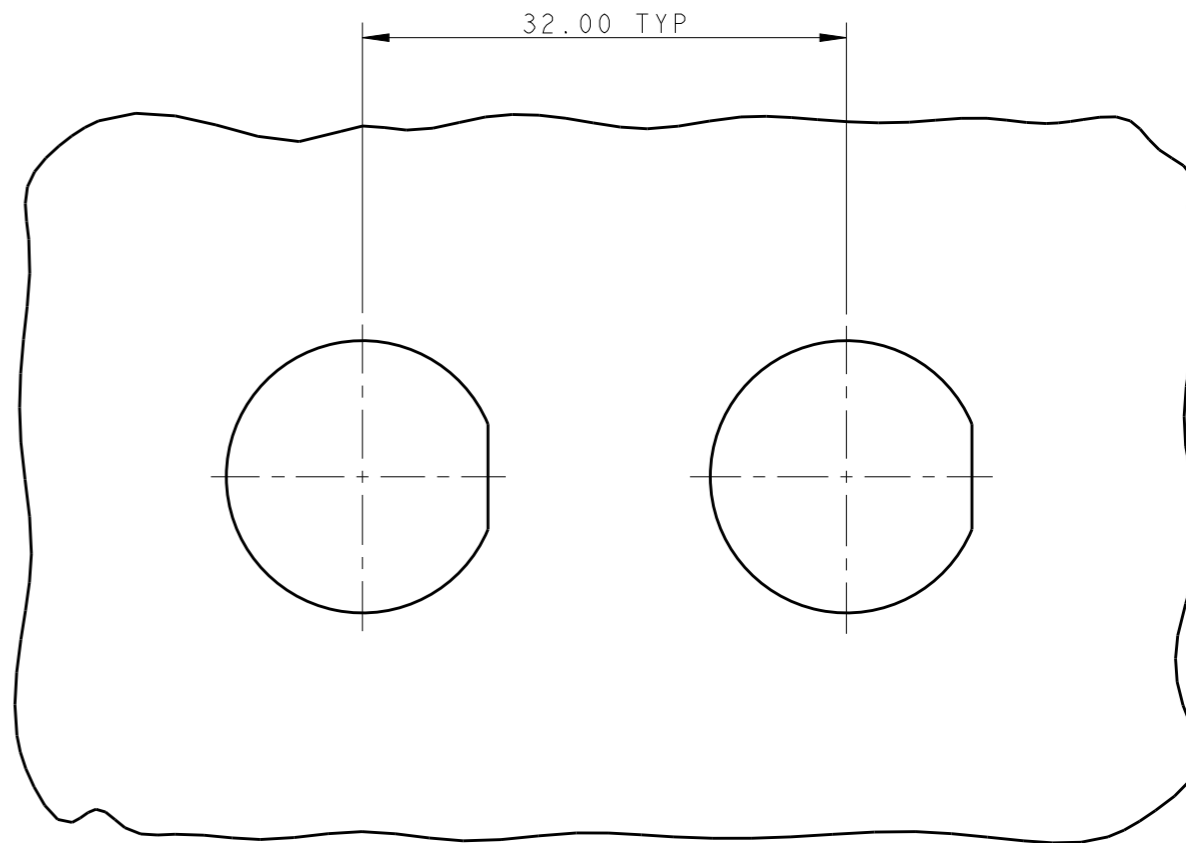
PANEL / WALL
SUGGESTED CUT OUT FOR
MULTIPLE HOLES ON MULTIPLE ROWS


(PITCH CAN BE ADJUSTED TO CUSTOMER
 NEED BUT IN ANY CASE MUST NOT BE LESS
 THAN 30.00 mm)



PANEL / WALL
SUGGESTED CUT OUT FOR
MULTIPLE HOLES ON SINGLE ROW

(PITCH CAN BE ADJUSTED TO CUSTOMER
 NEED BUT IN ANY CASE MUST NOT BE LESS
 THAN 30.00 mm)



THIS DRAWING IS A CONTROLLED DOCUMENT.		DWN M. ZUCCA 29OCT2009	 TE Connectivity		
DIMENSIONS: mm		CHK M. ZUCCA 29OCT2009			
TOLERANCES UNLESS OTHERWISE SPECIFIED:		APVD G. TURCO 29OCT2009	NAME PIN HOUSING PANEL MOUNT VERSION NECTOR* M-LINE		
0 PLC ± 1 PLC ±0.3 2 PLC ±0.20 3 PLC ± 4 PLC ± ANGLES ±3°		PRODUCT SPEC 108-20304	RESTRICTED TO		
MATERIAL SEE NOTES		APPLICATION SPEC 114-20452	SIZE A3	CAGE CODE 00779	DRAWING NO C-293598
FINISH -		WEIGHT ~6.2 g	SCALE 2:1		
		Customer Drawing	SHEET 4 OF 4		

X-ON Electronics

Largest Supplier of Electrical and Electronic Components

Click to view similar products for [Lighting Connectors](#) category:

Click to view products by [TE Connectivity](#) manufacturer:

Other Similar products are found below :

[293300-7](#) [293660-5](#) [CNX_H03_NTP](#) [30-9767-BU](#) [3605](#) [3-21030-1](#) [ZCH-110-RGB-I](#) [503471-0290](#) [ZCH-110-RGB-J](#) [217-0716-200](#)
[1954563-1](#) [1-293657-2](#) [2834036-1](#) [2834037-1](#) [1-2213222-4](#) [2-2213222-4](#) [2213222-4](#) [2834122-3](#) [2834122-5](#) [2834135-2](#) [FLA-R4142-30](#)
[FLA-R4162-30](#) [FLA-R2142-30](#) [FLA-R2141-30](#) [FLA-R2162-30](#) [FLA-R2161-30](#) [FLA-R0161-30](#) [FLA-R0141-30](#) [FLA-R0142-30](#) [FLA-](#)
[R0162-30](#) [FLA-C00-00](#) [DGA00010553](#) [CNXV04NTP](#) [104128-0610](#) [503485-0000 \(Cut Strip\)](#) [503485-0000 \(Loose Piece\)](#) [503485-0000](#)
[\(MINI Reel\)](#) [1-2834074-2](#) [1-2834074-3](#) [1357-AC PLUG W2C \(CHINA\)](#) [1357-AC PLUG W2 \(USA\)](#) [104266-0110](#) [2106212-1](#) [2-2834074-2](#)
[104266-0210](#) [293470-1](#) [293651-2](#) [293651-4](#) [1-2834006-2](#) [293651-1](#)