

4

3

2

1

THIS DRAWING IS UNPUBLISHED. RELEASED FOR PUBLICATION 20  
© COPYRIGHT 20 BY - ALL RIGHTS RESERVED.

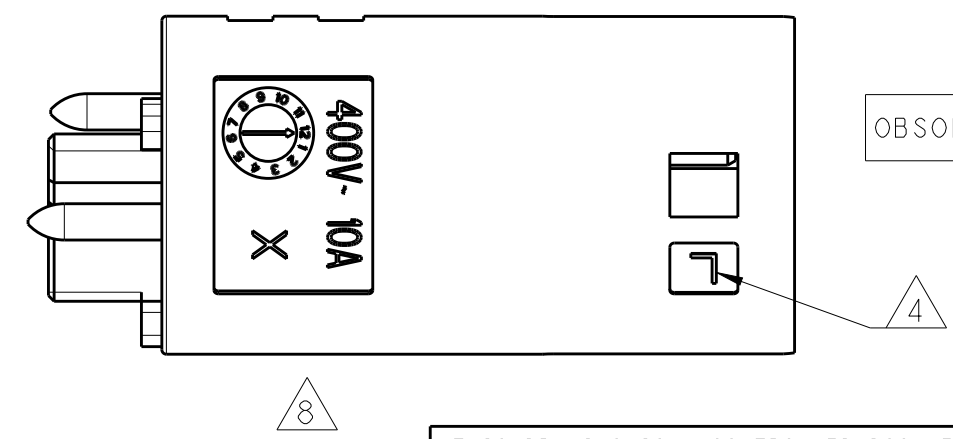
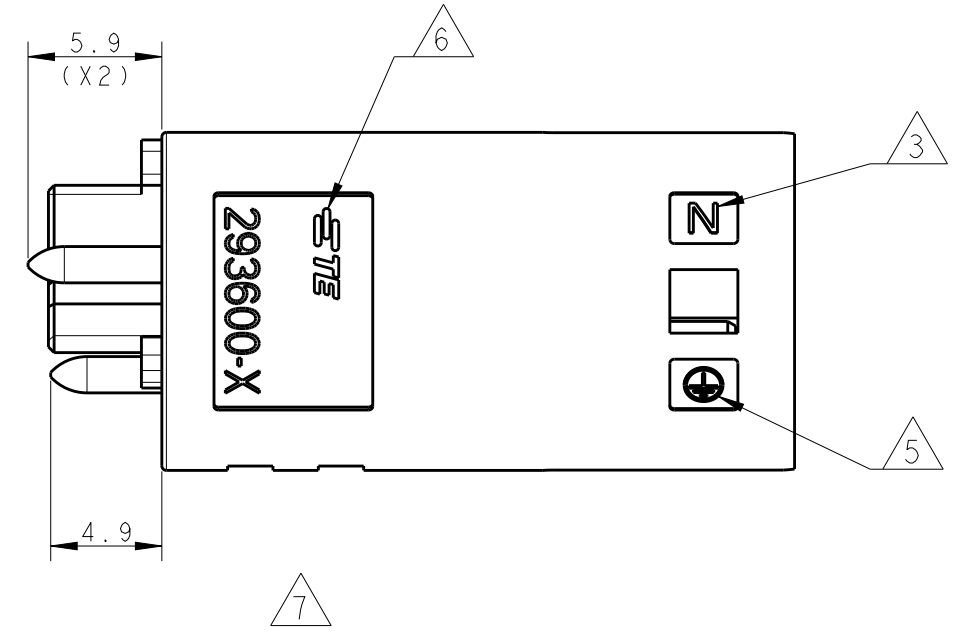
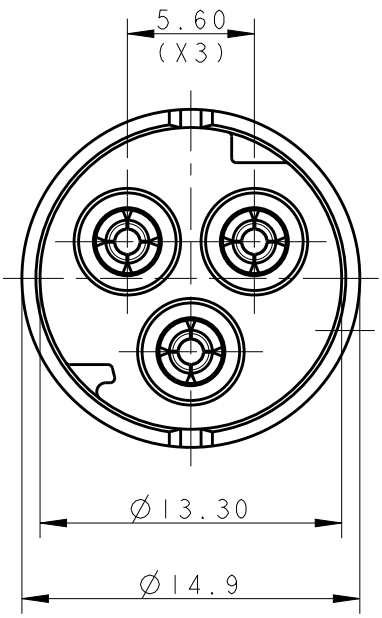
REVISIONS					
P	LTR	DESCRIPTION	DATE	DWN	APVD
E		UPDATED	20FEB2013	MZ	JC
F		PARTS -1, -2, -3	27JUN2013	KR	JC
F1		REVISED PART NUMBERS	12SEP2017	SK	ZM
F2		REVISED PER ECR-18-006945	20SEP2018	SR	MZ

VISUAL INDICATOR FOR PE CONDUCTOR

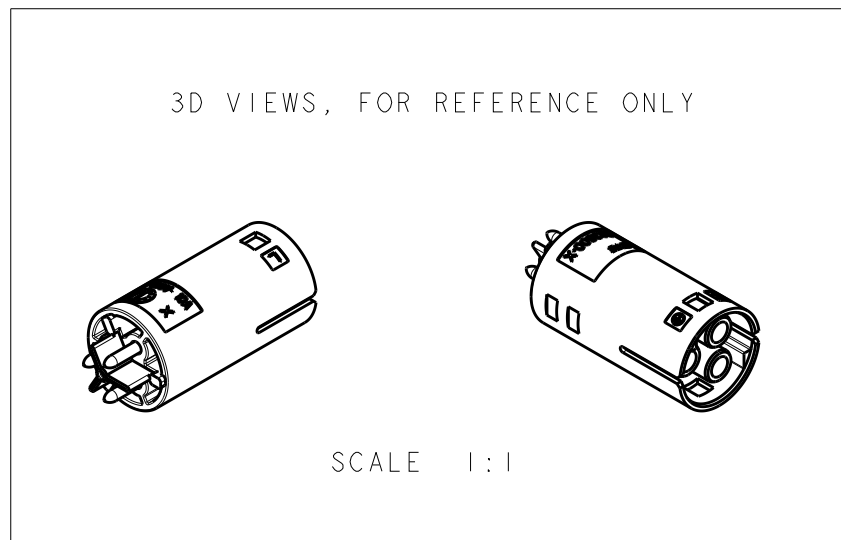
NOTES:

- 1) MATERIAL: POLYAMIDE GLASS FILLED NATURAL COLOUR
- 2) PACKAGING: SEE TE PACKAGING SPECIFICATION 107-20294

- 3 N CODE
- 4 L CODE
- 5 PE CODE
- 6 TE CODE
- 7 RATED VOLTAGE
- 8 RATED CURRENT
- 9 PART NOT YET RELEASED FOR PRODUCTION



NOTE	POL. KEYING	COLOUR	DESCRIPTION	REV.	PART NUMBER
OBSOLETE			SOCKET CONN. PCB VERTICAL NECTOR* M-LINE	E	293602-4
			SOCKET CONN. PCB VERTICAL NECTOR* M-LINE	F	293602-3
			SOCKET CONN. PCB VERTICAL NECTOR* M-LINE	F	293602-2
			SOCKET CONN. PCB VERTICAL NECTOR* M-LINE	F	293602-1



THIS DRAWING IS A CONTROLLED DOCUMENT.

DIMENSIONS:		TOLERANCES UNLESS OTHERWISE SPECIFIED:	
mm			
0 PLC	±-	1 PLC	±0.3
1 PLC	±-	2 PLC	±0.20
2 PLC	±-	3 PLC	±-
3 PLC	±-	4 PLC	±-
4 PLC	±-	ANGLES	±3°
MATERIAL	-	FINISH	-
	-		-

DWN	M. ZUCCA	28OCT2009
CHK	M. ZUCCA	28OCT2009
APVD	G. TURCO	28OCT2009
PRODUCT SPEC	108-20304	
APPLICATION SPEC	114-20152	
WEIGHT	-	
CUSTOMER DRAWING		

**STE** TE Connectivity

NAME: SOCKET CONNECTOR PCB VERTICAL VERSION NECTOR\* M-LINE 3 POS. UNSEALED

SIZE	CAGE CODE	DRAWING NO	RESTRICTED TO
A3	00779	C-293602	

SCALE 3:1 SHEET 1 OF 3 REV F2

4

3

2

1

THIS DRAWING IS UNPUBLISHED.

RELEASED FOR PUBLICATION

20

© COPYRIGHT 20

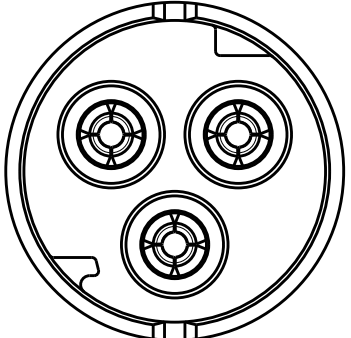
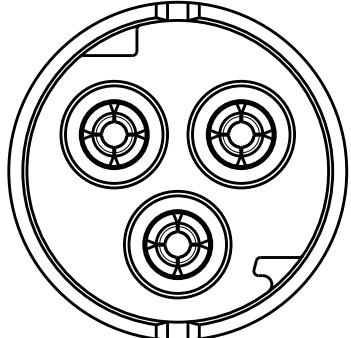
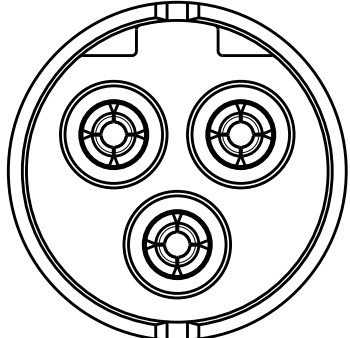
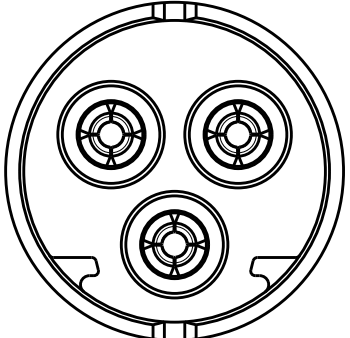
BY -

ALL RIGHTS RESERVED.

REVISIONS

P	LTR	DESCRIPTION	DATE	DWN	APVD
	-	SEE SHEET 1	-	-	-

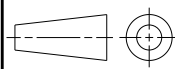
POLARIZATION KEYS

TYPE "A"	TYPE "B"	TYPE "C"	TYPE "D"
P/N 293602-1 AS SHOWN	P/N 293602-2 AS SHOWN	P/N 293602-3 AS SHOWN	<del>P/N 293602-4</del> AS SHOWN
			

THIS DRAWING IS A CONTROLLED DOCUMENT.

DIMENSIONS:

mm



TOLERANCES UNLESS OTHERWISE SPECIFIED:

0 PLC	±-
1 PLC	±0.3
2 PLC	±0.20
3 PLC	±-
4 PLC	±-
ANGLES	±3°

MATERIAL

-

FINISH

-

DWN M. ZUCCA 28OCT2009

CHK M. ZUCCA 28OCT2009

APVD G. TURCO 28OCT2009

PRODUCT SPEC

108-20304

APPLICATION SPEC

114-20152

WEIGHT

-

CUSTOMER DRAWING


 TE Connectivity

 NAME  
 SOCKET CONNECTOR PCB  
 VERTICAL VERSION  
 NECTOR\* M-LINE 3 POS. UNSEALED

SIZE	CAGE CODE	DRAWING NO	RESTRICTED TO
A3	00779	C-293602	

A300779C-293602

SCALE 3:1

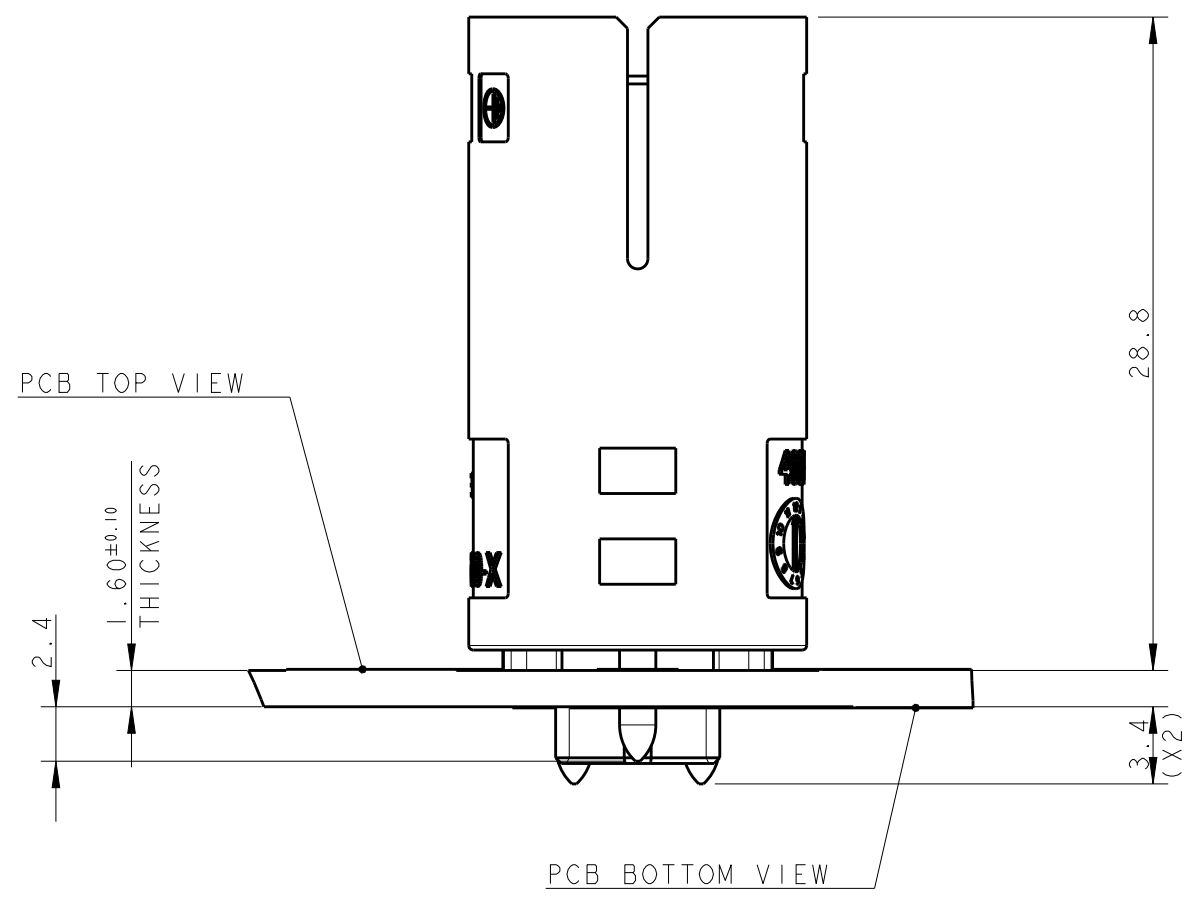
SHEET 2 OF 3

REV F2

1470-19 (3/13)

THIS DRAWING IS UNPUBLISHED. RELEASED FOR PUBLICATION 20  
 © COPYRIGHT 20 BY - ALL RIGHTS RESERVED.

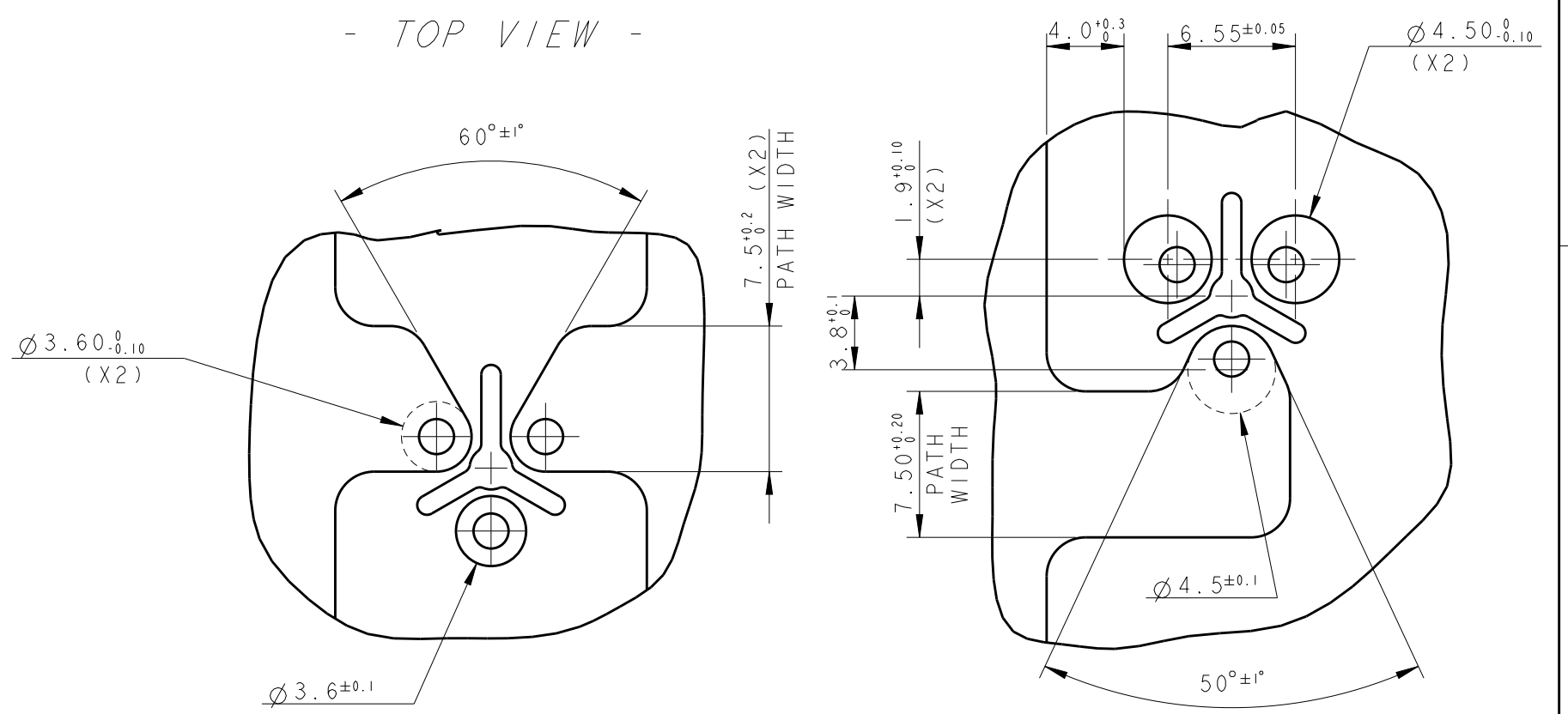
REVISIONS					
P	LTR	DESCRIPTION	DATE	DWN	APVD
-	-	SEE SHEET 1	-	-	-



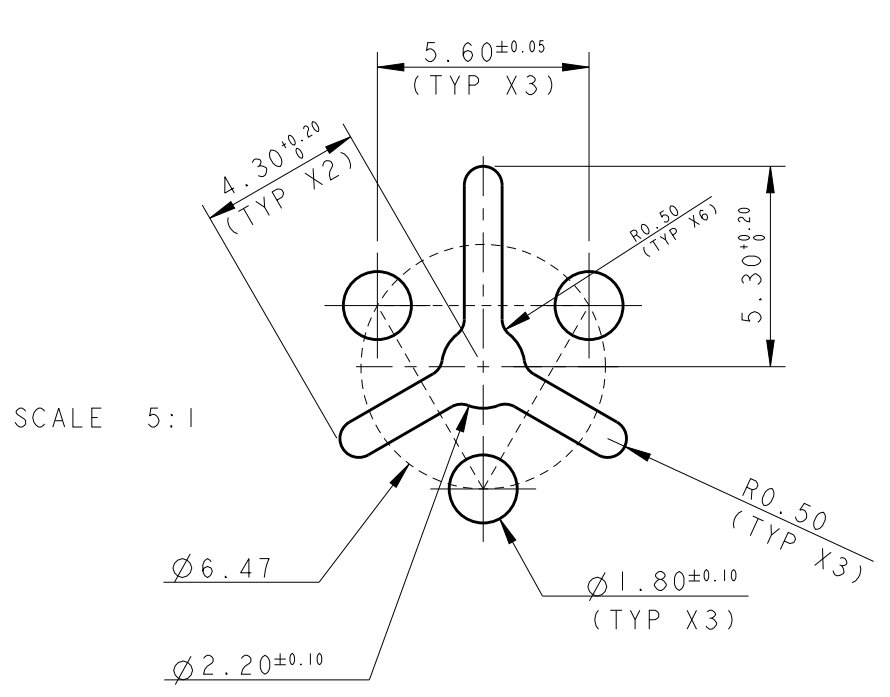
SUGGESTED L, N AND PE TRACKS LAYOUT ON PCB

- BOTTOM VIEW -

- TOP VIEW -



SUGGESTED PCB LAYOUT



THIS DRAWING IS A CONTROLLED DOCUMENT.		DWN M. ZUCCA 28OCT2009	TE Connectivity		
DIMENSIONS: mm		CHK M. ZUCCA 28OCT2009			
TOLERANCES UNLESS OTHERWISE SPECIFIED:		APVD G. TURCO 28OCT2009	NAME SOCKET CONNECTOR PCB VERTICAL VERSION NECTOR* M-LINE 3 POS. UNSEALED		
0 PLC ±-		PRODUCT SPEC 108-20304	SIZE		
1 PLC ±0.3		APPLICATION SPEC 114-20152	CAGE CODE		
2 PLC ±0.20		WEIGHT -	DRAWING NO A300779C-293602		
3 PLC ±-		CUSTOMER DRAWING	RESTRICTED TO		
4 PLC ±-			SCALE 3:1 SHEET 3 OF 3 REV F2		
ANGLES ±3°					
FINISH					

## X-ON Electronics

Largest Supplier of Electrical and Electronic Components

*Click to view similar products for [Lighting Connectors](#) category:*

*Click to view products by [TE Connectivity](#) manufacturer:*

Other Similar products are found below :

[293300-7](#) [293660-5](#) [CNX\\_H03\\_NTP](#) [30-9767-BU](#) [3605](#) [3-21030-1](#) [ZCH-110-RGB-I](#) [503471-0290](#) [ZCH-110-RGB-J](#) [217-0716-200](#)  
[1954563-1](#) [1-293657-2](#) [2834036-1](#) [2834037-1](#) [1-2213222-4](#) [2-2213222-4](#) [2213222-4](#) [2834122-3](#) [2834122-5](#) [2834135-2](#) [FLA-R4142-30](#)  
[FLA-R4162-30](#) [FLA-R2142-30](#) [FLA-R2141-30](#) [FLA-R2162-30](#) [FLA-R2161-30](#) [FLA-R0161-30](#) [FLA-R0141-30](#) [FLA-R0142-30](#) [FLA-](#)  
[R0162-30](#) [FLA-C00-00](#) [DGA00010553](#) [CNXV04NTP](#) [104128-0610](#) [503485-0000 \(Cut Strip\)](#) [503485-0000 \(Loose Piece\)](#) [503485-0000](#)  
[\(MINI Reel\)](#) [1-2834074-2](#) [1-2834074-3](#) [1357-AC PLUG W2C \(CHINA\)](#) [1357-AC PLUG W2 \(USA\)](#) [104266-0110](#) [2106212-1](#) [2-2834074-2](#)  
[104266-0210](#) [293470-1](#) [293651-2](#) [293651-4](#) [1-2834006-2](#) [293651-1](#)