

THIS DRAWING IS UNPUBLISHED.

RELEASED FOR PUBLICATION

2011

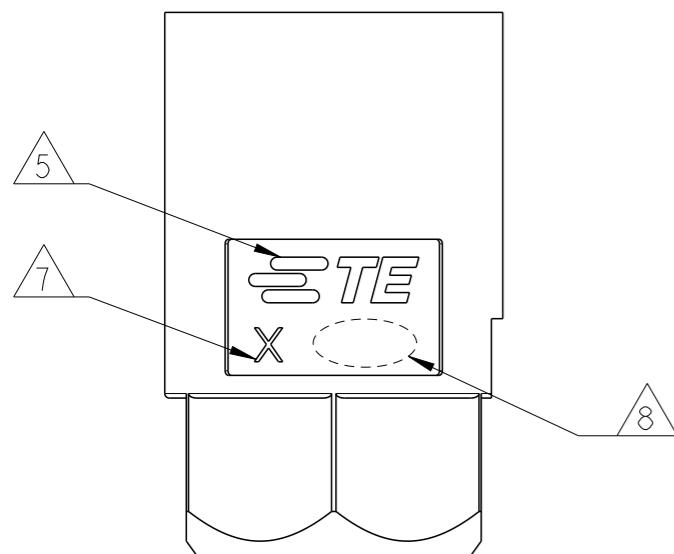
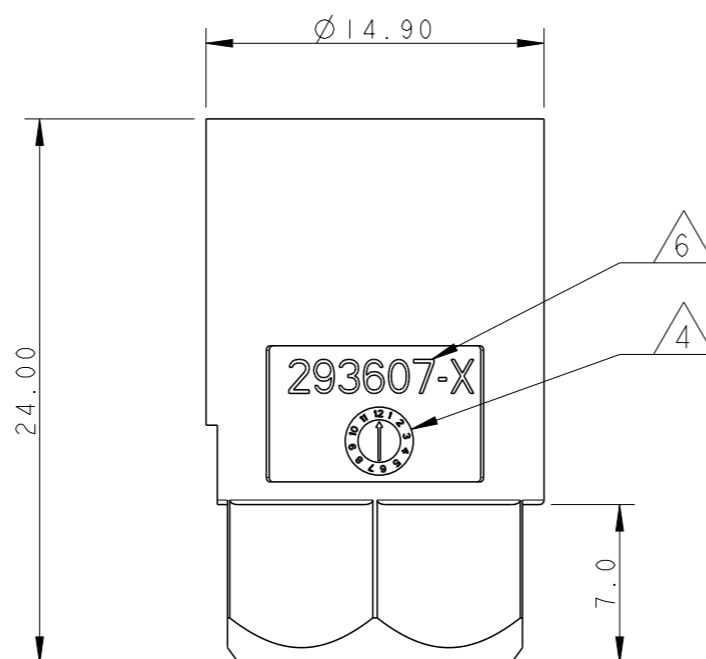
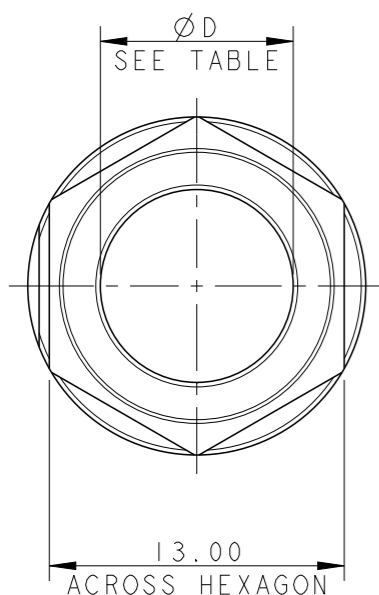
© COPYRIGHT 2011 BY -

ALL RIGHTS RESERVED.

LOC 1
DIST -

REVISIONS

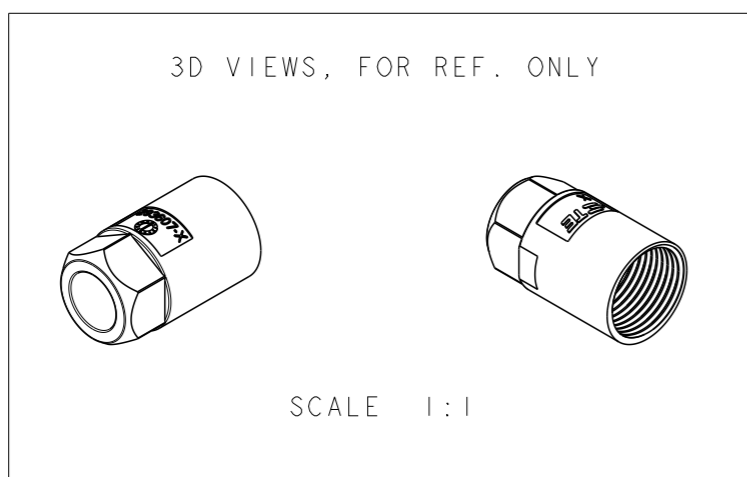
P	LTR	DESCRIPTION	DATE	DWN	APVD
G1		REVISED DRAWING	01NOV2012	MZ	JC
G2		REVISED CABLE RANGE	03JUL2013	MZ	JC
G3		ADDED PARTS -3, -4, 1-3, 1-4 AND REVISED DRAWING	31JUL2013	KR	JC
G4		PARTS -3, 1-3, -4, AND 1-4 RELEASED FOR PRODUCTION	19FEB2015	KR	MZ



NOTES:

- 1 MATERIAL: POLYAMIDE GLASS FILLED COLOUR NATURAL
- 2 MATERIAL: POLYAMIDE GLASS FILLED COLOUR BLACK
- 3) PACKAGING: SEE TE PACKAGING SPECIFICATION 107-20294
- 4 DATE CODE
- 5 TE LOGO
- 6 TE PART NUMBER
- 7 CAVITY MOULD ID
- 8 AREA FOR AGENCY APPROVAL LOGO

NET WT (g)	DIM "D" NOM.	CABLE RANGE DIA. (min - MAX)	CABLE TYPE	MATERIAL / COLOUR	DESCRIPTION	REV.	PART NO.
~1.6	11.10	9.50 - 10.40	3G H05VV-F	2	PLASTIC NUT FOR CABLE RETENTION NECTOR* M-LINE	A	1-293607-4
~1.9	10.10	8.50 - 9.40	3G H05VV-F	2	PLASTIC NUT FOR CABLE RETENTION NECTOR* M-LINE	A	1-293607-3
~1.7	10.00	9.00 - 9.90	3G H05VV-F	2	PLASTIC NUT FOR CABLE RETENTION NECTOR* M-LINE	G	1-293607-2
~2.1	8.50	7.50 - 8.40	3G H05VV-F	2	PLASTIC NUT FOR CABLE RETENTION NECTOR* M-LINE	G	1-293607-1
~1.6	11.10	9.50 - 10.40	3G H05VV-F	1	PLASTIC NUT FOR CABLE RETENTION NECTOR* M-LINE	A	293607-4
~1.9	10.10	8.50 - 9.40	3G H05VV-F	1	PLASTIC NUT FOR CABLE RETENTION NECTOR* M-LINE	A	293607-3
~1.7	10.00	9.00 - 9.90	3G H05VV-F	1	PLASTIC NUT FOR CABLE RETENTION NECTOR* M-LINE	G	293607-2
~2.1	8.50	7.50 - 8.40	3G H05VV-F	1	PLASTIC NUT FOR CABLE RETENTION NECTOR* M-LINE	G	293607-1



THIS DRAWING IS A CONTROLLED DOCUMENT.

DIMENSIONS: mm	TOLERANCES UNLESS OTHERWISE SPECIFIED:
	0 PLC ±
	1 PLC ±0.3
	2 PLC ±0.20
	3 PLC ±
	4 PLC ±
	ANGLES ±3°
MATERIAL SEE NOTE 1 AND NOTE 2	FINISH -

DWN M. ZUCCA 22FEB2010	TE Connectivity
CHK M. ZUCCA 22FEB2010	
APVD G. TURCO 22FEB2010	
PRODUCT SPEC 108-20304	
APPLICATION SPEC 114-20152	NAME
WEIGHT SEE TABLE	SIZE
Customer Drawing	CAGE CODE
	DRAWING NO
	RESTRICTED TO
	SCALE 3:1
	SHEET 1 OF 1
	REV G4

NAME		PLASTIC RING NUT FOR CABLE RETENTION NECTOR* M-LINE	
SIZE	CAGE CODE	DRAWING NO	RESTRICTED TO
A3	00779	C-293607	-
SCALE 3:1		SHEET 1 OF 1	REV G4

X-ON Electronics

Largest Supplier of Electrical and Electronic Components

Click to view similar products for [Lighting Connectors](#) category:

Click to view products by [TE Connectivity](#) manufacturer:

Other Similar products are found below :

[293300-7](#) [293660-5](#) [CNX_H03_NTP](#) [30-9767-BU](#) [3605](#) [3-21030-1](#) [ZCH-110-RGB-I](#) [503471-0290](#) [ZCH-110-RGB-J](#) [217-0716-200](#)
[1954563-1](#) [1-293657-2](#) [2834036-1](#) [2834037-1](#) [1-2213222-4](#) [2-2213222-4](#) [2213222-4](#) [2834122-3](#) [2834122-5](#) [2834135-2](#) [FLA-R4142-30](#)
[FLA-R4162-30](#) [FLA-R2142-30](#) [FLA-R2141-30](#) [FLA-R2162-30](#) [FLA-R2161-30](#) [FLA-R0161-30](#) [FLA-R0141-30](#) [FLA-R0142-30](#) [FLA-](#)
[R0162-30](#) [FLA-C00-00](#) [DGA00010553](#) [CNXV04NTP](#) [104128-0610](#) [503485-0000 \(Cut Strip\)](#) [503485-0000 \(Loose Piece\)](#) [503485-0000](#)
[\(MINI Reel\)](#) [1-2834074-2](#) [1-2834074-3](#) [1357-AC PLUG W2C \(CHINA\)](#) [1357-AC PLUG W2 \(USA\)](#) [104266-0110](#) [2106212-1](#) [2-2834074-2](#)
[104266-0210](#) [293470-1](#) [293651-2](#) [293651-4](#) [1-2834006-2](#) [293651-1](#)