

4

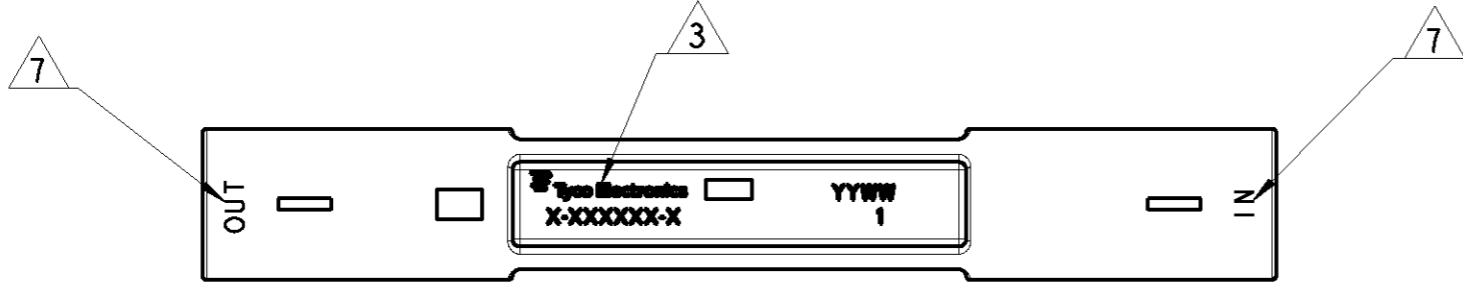
3

2

1

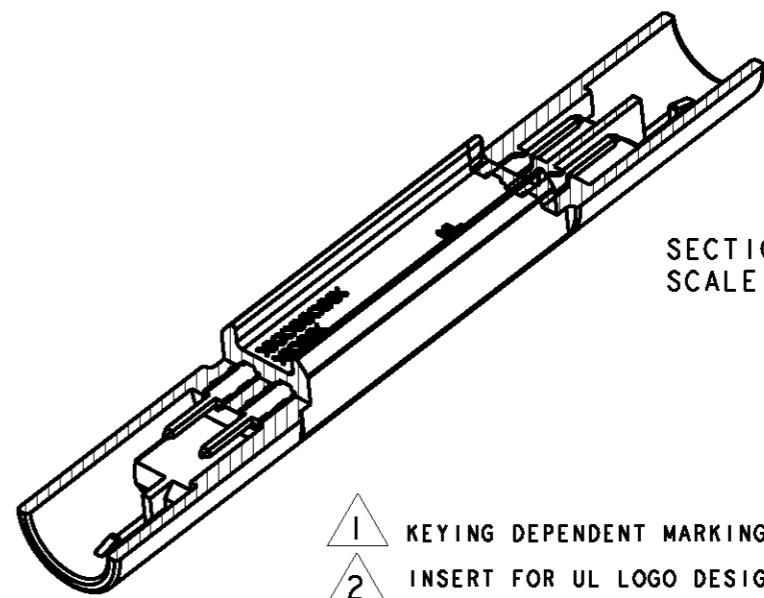
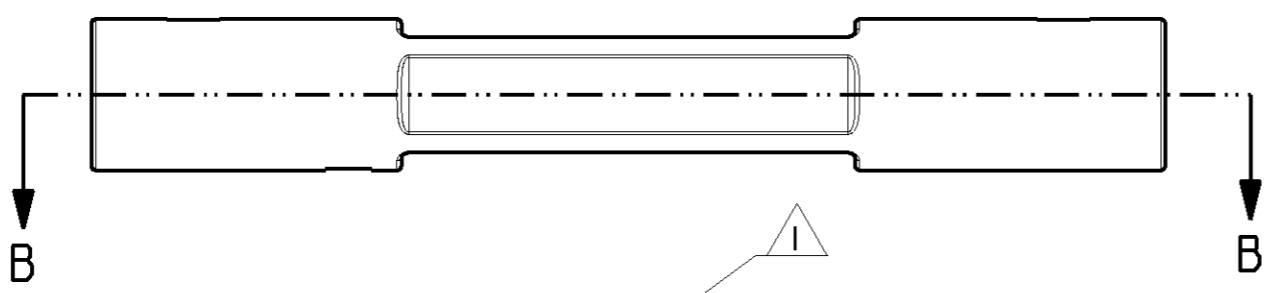
THIS DRAWING IS UNPUBLISHED. RELEASED FOR PUBLICATION 2005  
 © COPYRIGHT 2005 BY TYCO ELECTRONICS CORPORATION. ALL RIGHTS RESERVED.

LOC	DIST	REVISIONS			
P	LTR	DESCRIPTION	DATE	DWN	APVD
1		A	FIRST ISSUE	19FEB2010	AV GT

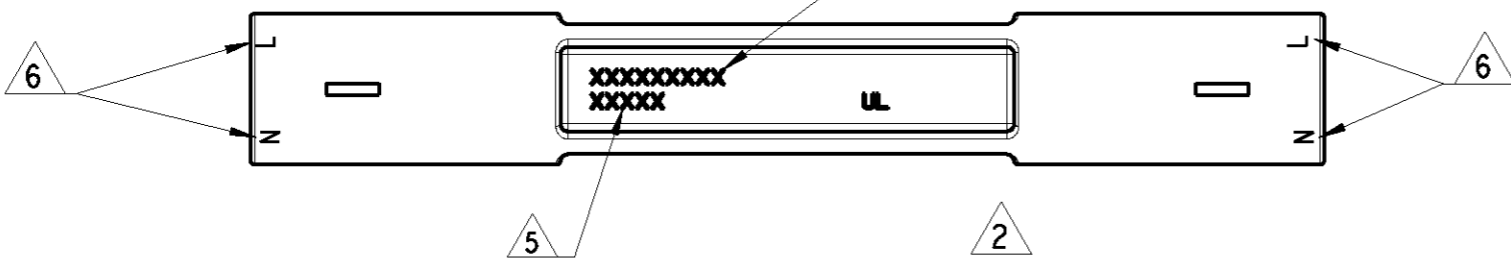


KEYING HV-4

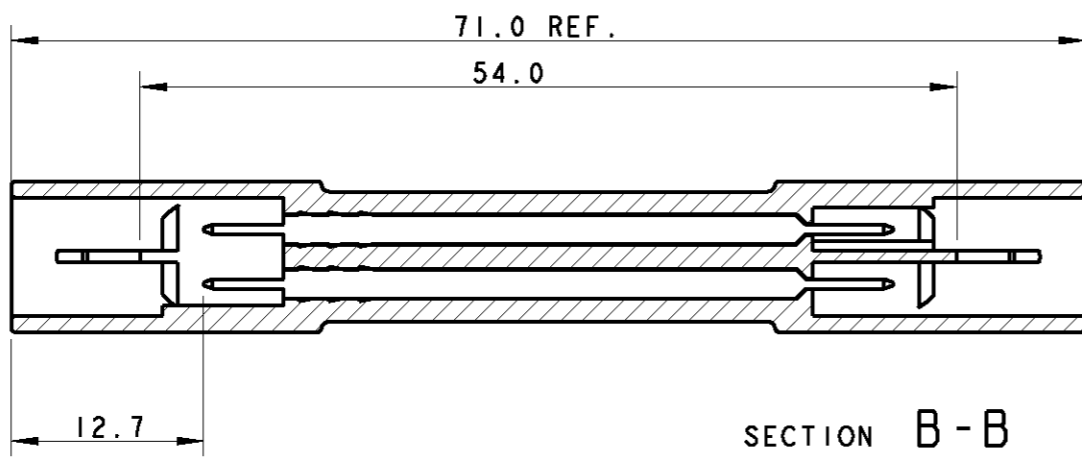
KEYING HV-5



SECTION A - A  
 SCALE 9:5



- 1 KEYING DEPENDENT MARKING (SEE TABLE)
- 2 INSERT FOR UL LOGO DESIGN BUT NOT EXECUTE
- 3 PART MARKING  
-Tyco Electronics Product Identifier  
Date Code  
Part number
- 4 MATERIAL:  
HOUSING PBT GFF15X  
CONTACT: BRASS TIN PLATED
- 5 RAW MATERIAL IDENTIFICATION  
PBT GFF15
- 6 WAY IDENTIFICATION
- 7 INPUT-OUTPUT WAY DESCRIPTION
- 8 NOT YET RELEASED FOR PRODUCTION



SECTION B - B

8	HV4-HV5	HIGH-VOLT 125 Vac	6A 125V AC~	293647-1	A
NOTE	KEYING	REMARKS	MARKING 1	P/N	REV.

THIS DRAWING IS A CONTROLLED DOCUMENT FOR TYCO ELECTRONICS CORPORATION IT IS SUBJECT TO CHANGE AND THE CONTROLLING ENGINEERING ORGANIZATION SHOULD BE CONTACTED FOR THE LATEST REVISION.		DWN 19FEB2010 A. Vecchia		Tyco Electronics AMP Italia S.r.l. 10093 Collegno TO	
DIMENSIONS: mm		TOLERANCES UNLESS OTHERWISE SPECIFIED: 0 PLC ±0.3 1 PLC ± 2 PLC ± 3 PLC ± 4 PLC ± ANGLES ±		CHK 19FEB2010 G. Turco APVD 19FEB2010 G. Turco	
MATERIAL 4		FINISH		NAME OUTLET BRIDGE ASS'Y FOR USA MARKET	
WEIGHT		PRODUCT SPEC		SIZE CAGE CODE DRAWING NO RESTRICTED TO A3 00779 C-293647	
APPLICATION SPEC		CUSTOMER DRAWING		SCALE 2:1 SHEET 1 OF 1 REV A	

## X-ON Electronics

Largest Supplier of Electrical and Electronic Components

*Click to view similar products for [Lighting Connectors](#) category:*

*Click to view products by [TE Connectivity](#) manufacturer:*

Other Similar products are found below :

[293300-7](#) [293660-5](#) [CNX\\_H03\\_NTP](#) [30-9767-BU](#) [3605](#) [3-21030-1](#) [ZCH-110-RGB-I](#) [503471-0290](#) [ZCH-110-RGB-J](#) [217-0716-200](#)  
[1954563-1](#) [1-293657-2](#) [2834036-1](#) [2834037-1](#) [1-2213222-4](#) [2-2213222-4](#) [2213222-4](#) [2834122-3](#) [2834122-5](#) [2834135-2](#) [FLA-R4142-30](#)  
[FLA-R4162-30](#) [FLA-R2142-30](#) [FLA-R2141-30](#) [FLA-R2162-30](#) [FLA-R2161-30](#) [FLA-R0161-30](#) [FLA-R0141-30](#) [FLA-R0162-30](#) [FLA-C00-](#)  
[00](#) [DGA00010553](#) [CNXV04NTP](#) [104128-0610](#) [503485-0000 \(Cut Strip\)](#) [503485-0000 \(Loose Piece\)](#) [503485-0000 \(MINI Reel\)](#) [1-2834074-2](#)  
[1-2834074-3](#) [1357-AC PLUG W2C \(CHINA\)](#) [1357-AC PLUG W2 \(USA\)](#) [104266-0110](#) [2106212-1](#) [2-2834074-2](#) [104266-0210](#) [293470-1](#)  
[293651-2](#) [293651-4](#) [1-2834006-2](#) [293651-1](#) [2213142-3](#)