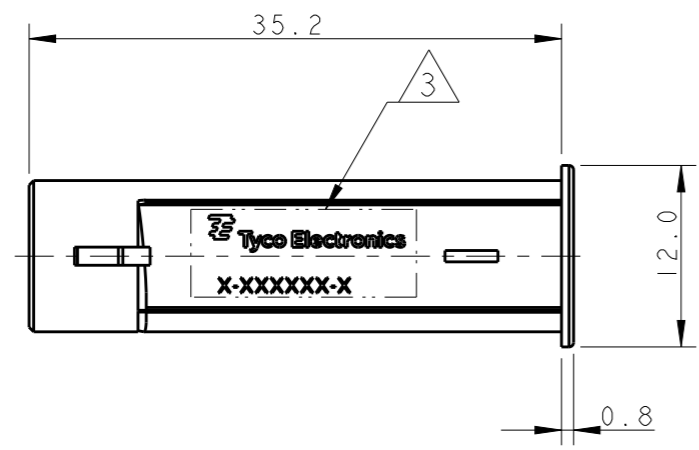


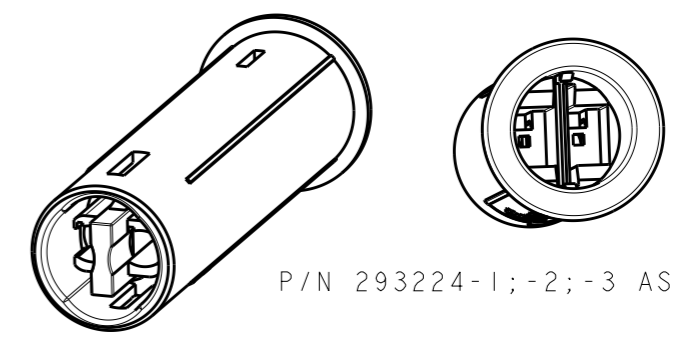
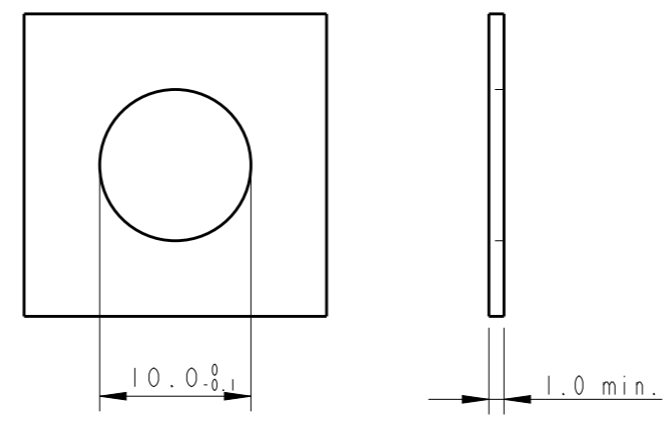
THIS DRAWING IS UNPUBLISHED. RELEASED FOR PUBLICATION 2005  
 © COPYRIGHT 2005 BY - ALL RIGHTS RESERVED.

REVISIONS

P	LTR	DESCRIPTION	DATE	DWN	APVD
A1		FIRST ISSUE	19FEB2010	AV	GT
A2		RELEASED FOR PRODUCTION	30JUN2010	AV	GT
B		REVISED PER ECR-16-005692	30MAY2016	RS	JL
C		REVISED PER ECR-16-017348	24FEB2017	RK	JL

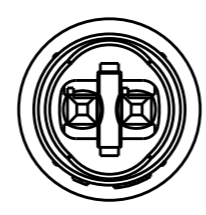
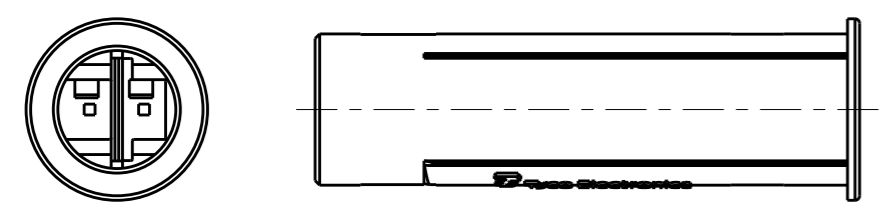


PANEL LAYOUT CONFIGURATION

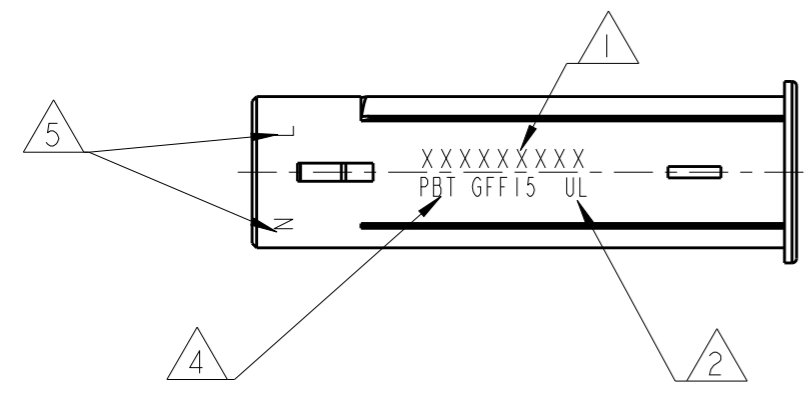


P/N 293224-1;-2;-3 AS SHOWN

KEYING HV-4



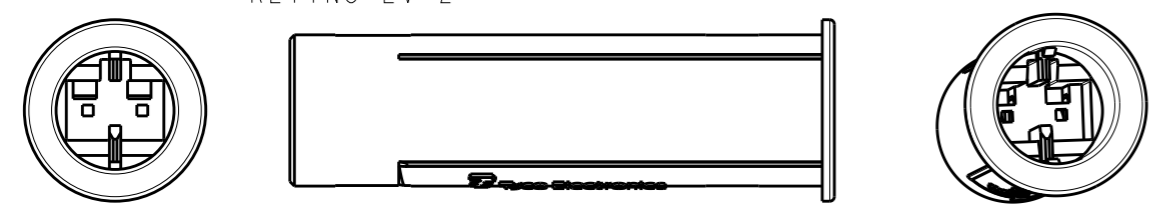
- 1 KEYING DEPENDENT MARKING (SEE TABLE)
- 2 INSERT FOR UL, LOGO DESIGN BUT NOT EXECUTE
- 3 PART MARKING  
-Tyco Electronics Product Identifier  
Date Code  
Part number
- 4 RAW MATERIAL IDENTIFICATION PBT GF15%
- 5 WAY IDENTIFICATION
- 6 NOT YET RELEASED FOR PRODUCTION



THE PRESENTED PRODUCT / DESIGN WILL BE RELEASED FOR THE MANUFACTURING OF THE NECESSARY PRODUCTION TOOLS HEREBY. FURTHER CHANGES HAS TO BE PAID BY CUSTOMER.  
 DATE, SIGN OF THE CUSTOMER

6	LV-2	LOW-VOLT 125VAC/VDC	7A 125VAC/VDC=	A	WHITE	293648-2
6	HV-4	HIGH-VOLT 125 Vac	6A 125V AC~	A	WHITE	293648-1
NOTE	KEYING	REMARKS	MARKING	REV.	COLOR	P/N

P/N 293224-5;-6 AND 1-293224-6 AS SHOWN  
 KEYING LV-2



THIS DRAWING IS A CONTROLLED DOCUMENT.

DIMENSIONS: mm	TOLERANCES UNLESS OTHERWISE SPECIFIED: 0 PLC ± 1 PLC ±0.3 2 PLC ± 3 PLC ± 4 PLC ± ANGLES ±	DWN A. Vecchia 19FEB2010	TE Connectivity
MATERIAL	FINISH	CHK G. Turco 19FEB2010	
		APVD G. Turco 19FEB2010	
		PRODUCT SPEC	
		APPLICATION SPEC	NAME HOUSING PANEL OUTLET FOR USA MARKET
		WEIGHT	SIZE A300779
		CUSTOMER DRAWING	CAGE CODE C-293648
			DRAWING NO -
			RESTRICTED TO -
			SCALE 2:1
			SHEET 1 OF 1
			REV C

## X-ON Electronics

Largest Supplier of Electrical and Electronic Components

*Click to view similar products for [Lighting Connectors](#) category:*

*Click to view products by [TE Connectivity](#) manufacturer:*

Other Similar products are found below :

[21061-9](#) [293300-7](#) [2106117-2](#) [293660-5](#) [293700-2](#) [CNX\\_H03\\_NTP](#) [30-9767-BU](#) [3-21030-1](#) [ZCH-110-RGB-I](#) [503471-0290](#) [ES5P09K4F2](#)  
[CNXH02NTP](#) [ZCH-110-RGB-J](#) [217-0716-200](#) [192992-0057](#) [1954563-1](#) [217-3030-000](#) [217-3032-000](#) [237-0734-003](#) [1-2213614-2](#) [2834049-](#)  
[3](#) [ES9S002SZZ](#) [2834049-2](#) [2-2834067-3](#) [1-293657-2](#) [2834049-1](#) [1-2213614-3](#) [2834036-1](#) [2834037-1](#) [2213614-3](#) [2307526-2](#) [2-2106124-3](#)  
[2-2834068-3](#) [FLS2SC4001BP](#) [FLSC80352000](#) [FLSC80354000](#) [FLSC80353000](#) [FLSSB8002](#) [FLSSB8001](#) [FLSC80351000](#) [FLSC80355000](#)  
[FLSSB4001](#) [FLSC80504000](#) [FLSC80502000](#) [FLSC80501000](#) [FLSSR4001](#) [FLSC80505000](#) [FLSC80503000](#) [FLA-R4142-30](#) [FLA-R4141-30](#)