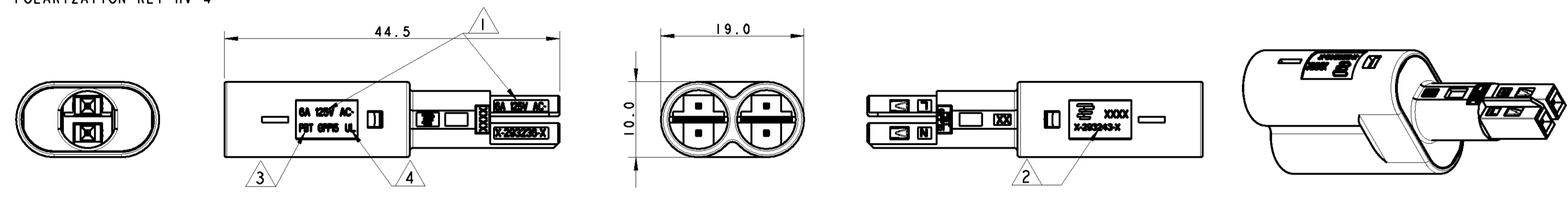


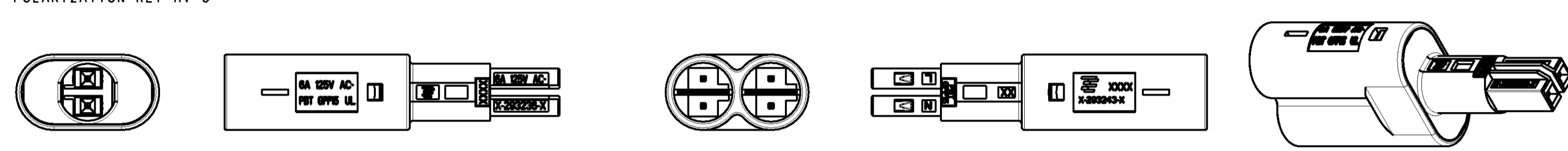
THIS DRAWING IS UNPUBLISHED. RELEASED FOR PUBLICATION 2009
 © COPYRIGHT 2009 BY TYCO ELECTRONICS CORPORATION. ALL INTERNATIONAL RIGHTS RESERVED.

REVISIONS				
P	LTR	DESCRIPTION	DATE	APVD
A	-		18FEB2010	-

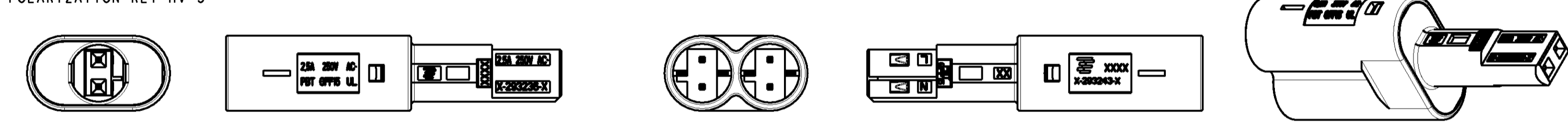
P/N 1-293234-0 AS SHOWN
POLARIZATION KEY HV-4



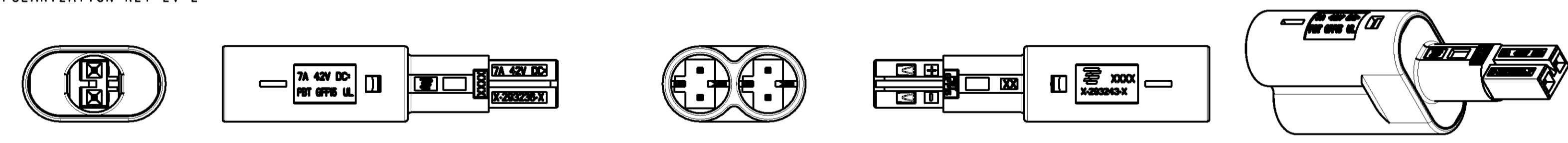
P/N 1-293234-1 AS SHOWN
POLARIZATION KEY HV-3



P/N 1-293234-2 AS SHOWN
POLARIZATION KEY HV-5



P/N 1-293234-3 AS SHOWN
POLARIZATION KEY LV-2



THE PRESENTED PRODUCT / DESIGN WILL BE RELEASED FOR THE MANUFACTURING OF THE NECESSARY PRODUCTION TOOLS HEREBY. FURTHER CHANGES HAS TO BE PAID BY CUSTOMER
 DATE, SIGN OF THE CUSTOMER

- 1 KEYING DEPENDENT TO THE MARKING
- 2 PART MARKING
-Tyco Electronics Product Identifier
Date code
Part number
- 3 RAW MATERIAL IDENTIFICATION PBT GFF15
- 4 INSERT FOR UL LOGO
- 5 NOT YET RELEASED FOR PRODUCTION

NOTE	KEYING	P/N	REV.	REMARKS	MARKING
5	LV-2/LV-2 &LV-2	293650-4	A	LOW-VOLT 42V DC	7A 42V DC=
5	HV-5/HV-5 &HV-5	293650-3	A	HIGH-VOLT 125V	6A 125V AC~
5	HV-3/HV-3&HV-3	293650-2	A	HIGH-VOLT 125V	6A 125V AC~
5	HV-4/HV-4 &HV-4	293650-1	A	HIGH-VOLT 125V	6A 125V AC~

<small>THIS DRAWING IS A CONTROLLED DOCUMENT FOR TYCO ELECTRONICS CORPORATION IT IS SUBJECT TO CHANGE AND THE CONTROLLING ENGINEERING ORGANIZATION SHOULD BE CONTACTED FOR THE LATEST REVISION</small>		DWN 18FEB2010 CHK A. Vecchia G. Turco APVD 18FEB2010 G. Turco	Tyco Electronics AMP Italia S.r.l. 10093 Collegno TO
DIMENSIONS: mm 	TOLERANCES UNLESS OTHERWISE SPECIFIED: 0 PLC ± 1 PLC ± 2 PLC ± 3 PLC ± 4 PLC ± ANGLES ±° FINISH	PRODUCT SPEC - APPLICATION SPEC - WEIGHT -	NAME T SPLITTER CONNECTOR STANDARD VERSION FOR USA MARKET SIZE CAGE CODE DRAWING NO. RESTRICTED TO A 00779 293650 SCALE 2:1 SHEET OF 1 REV A
MATERIAL -		CUSTOMER DRAWING	

X-ON Electronics

Largest Supplier of Electrical and Electronic Components

Click to view similar products for [Lighting Connectors](#) category:

Click to view products by [TE Connectivity](#) manufacturer:

Other Similar products are found below :

[21061-9](#) [293300-7](#) [2106117-2](#) [293660-5](#) [293700-2](#) [CNX_H03_NTP](#) [30-9767-BU](#) [3-21030-1](#) [ZCH-110-RGB-I](#) [503471-0290](#) [ES5P09K4F2](#)
[CNXH02NTP](#) [ZCH-110-RGB-J](#) [217-0716-200](#) [192992-0057](#) [1954563-1](#) [217-3030-000](#) [217-3032-000](#) [237-0734-003](#) [DTS24W25-20PN-LC](#)
[1-2213614-2](#) [2834049-3](#) [ES9S002SZZ](#) [2834049-2](#) [2-2834067-3](#) [1-293657-2](#) [2834049-1](#) [293699-2](#) [293701-3](#) [1-2213614-3](#) [2834036-1](#)
[2834037-1](#) [2213614-3](#) [2307526-2](#) [2-2106124-3](#) [2-2834068-3](#) [FLS2SC4001BP](#) [FLSC80352000](#) [FLSC80354000](#) [FLSC80353000](#) [FLSSB8002](#)
[FLSSB8001](#) [FLSC80351000](#) [FLSC80355000](#) [FLSSB4001](#) [FLSC80504000](#) [FLSC80502000](#) [FLSC80501000](#) [FLSSR4001](#) [FLSC80503000](#)