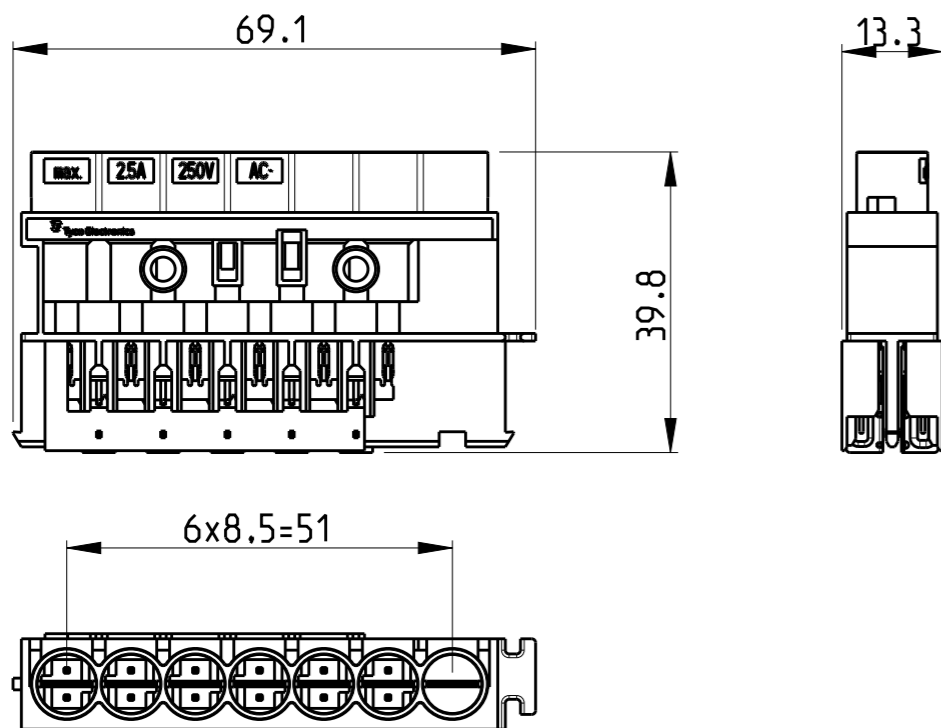
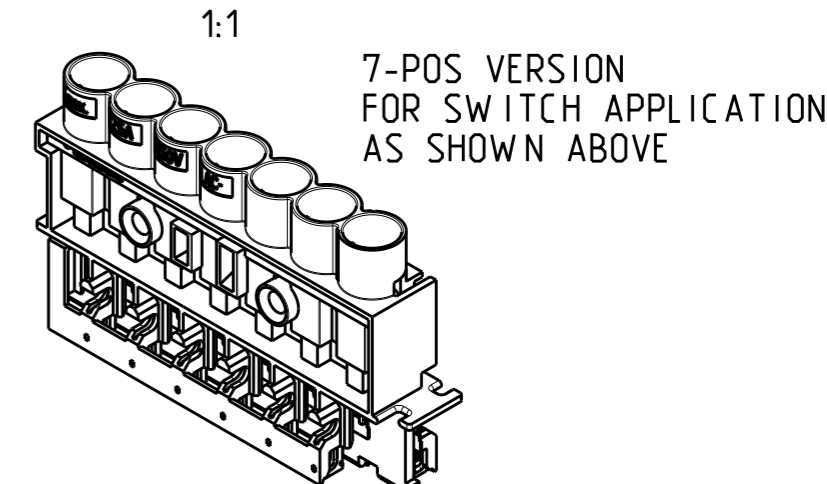
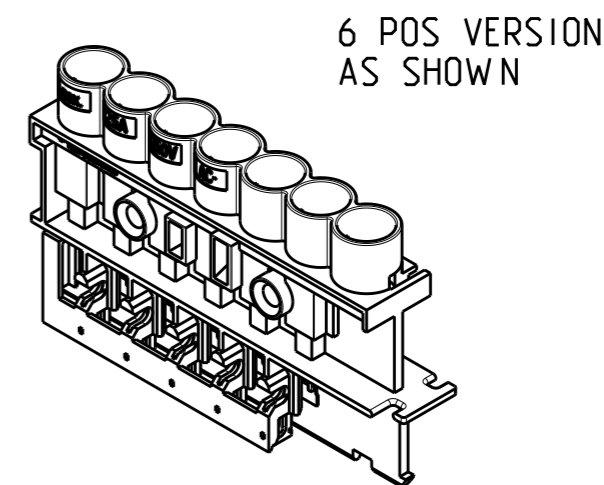


THIS DRAWING IS UNPUBLISHED. RELEASED FOR PUBLICATION 2006

© COPYRIGHT 2006 Tyco Electronics AMP GmbH ALL RIGHTS RESERVED.

LOC	DIST	REVISIONS					
		P	LTR	DESCRIPTION	DATE	DWN	APVD
A1	-		A1	REVISED TE LOGO	22AUG2012	MZ	JC
			C	REVISED PER ECR-17-003481	10MAY2017	SK	PO

5 4	0-293651-4	A	WHITE	DISTRIBUTOR 7 POS. 7A/125V DC		LV-2 (6x) HV-2 (1X)
5 4	0-293651-3	A	WHITE	DISTRIBUTOR 6 POS. 7A/125V DC		LV-2 (6x)
5 4	0-293651-2	A	WHITE	DISTRIBUTOR 7 POS. 6A/125V AC		HV-3 (6x) HV-2 (1X)
5 4	0-293651-1	A	WHITE	DISTRIBUTOR 6 POS. 6A/125V AC		HV-3 (6x)
NOTE	ASS'Y PN	Rev.	COLOR	REMARKS	CODING	



NOTES:

- PARTS PRELOADED WITH CONTACTS
- MATERIAL HOUSING: PA6/WEIGHT ~11 g
MATERIAL CONTACTS: CuNiSi/WEIGHT ~2.8 g
- FOR 7 POS. VERSION ADD CODING RING PN 1740316-1

- 4 VERSION FOR US MARKET
- 5 NOT YET RELEASED FOR PRODUCTION

THIS DRAWING IS A CONTROLLED DOCUMENT.		DWN SKA 13APR2006	 TE Connectivity	NAME 7.5mm MiniHVL CONNECTOR SYSTEM CONTACT AND HOUSING ASSEMBLY 6 AND 7 POSITION
DIMENSIONS: mm		CHK WH 13APR2006		
TOLERANCES UNLESS OTHERWISE SPECIFIED:		APVD TG 13APR2006		
		PRODUCT SPEC 108-94019	SIZE A3	CAGE CODE 00779
MATERIAL -		APPLICATION SPEC 114-18752	DRAWING NO C-293651	RESTRICTED TO -
FINISH -		WEIGHT ~13.8 g	SCALE 1:1	SHEET 1 OF 1
CUSTOMER DRAWING			REV C	

X-ON Electronics

Largest Supplier of Electrical and Electronic Components

Click to view similar products for [Lighting Connectors](#) category:

Click to view products by [TE Connectivity](#) manufacturer:

Other Similar products are found below :

[293300-7](#) [293660-5](#) [CNX_H03_NTP](#) [30-9767-BU](#) [3605](#) [3-21030-1](#) [ZCH-110-RGB-I](#) [503471-0290](#) [ZCH-110-RGB-J](#) [217-0716-200](#)
[1954563-1](#) [1-293657-2](#) [2834036-1](#) [2834037-1](#) [1-2213222-4](#) [2-2213222-4](#) [2213222-4](#) [2834122-3](#) [2834122-5](#) [2834135-2](#) [FLA-R4142-30](#)
[FLA-R4162-30](#) [FLA-R2142-30](#) [FLA-R2141-30](#) [FLA-R2162-30](#) [FLA-R2161-30](#) [FLA-R0161-30](#) [FLA-R0141-30](#) [FLA-R0142-30](#) [FLA-](#)
[R0162-30](#) [FLA-C00-00](#) [DGA00010553](#) [CNXV04NTP](#) [104128-0610](#) [503485-0000 \(Cut Strip\)](#) [503485-0000 \(Loose Piece\)](#) [503485-0000](#)
[\(MINI Reel\)](#) [1-2834074-2](#) [1-2834074-3](#) [1357-AC PLUG W2C \(CHINA\)](#) [1357-AC PLUG W2 \(USA\)](#) [104266-0110](#) [2106212-1](#) [2-2834074-2](#)
[104266-0210](#) [293470-1](#) [293651-2](#) [293651-4](#) [1-2834006-2](#) [293651-1](#)