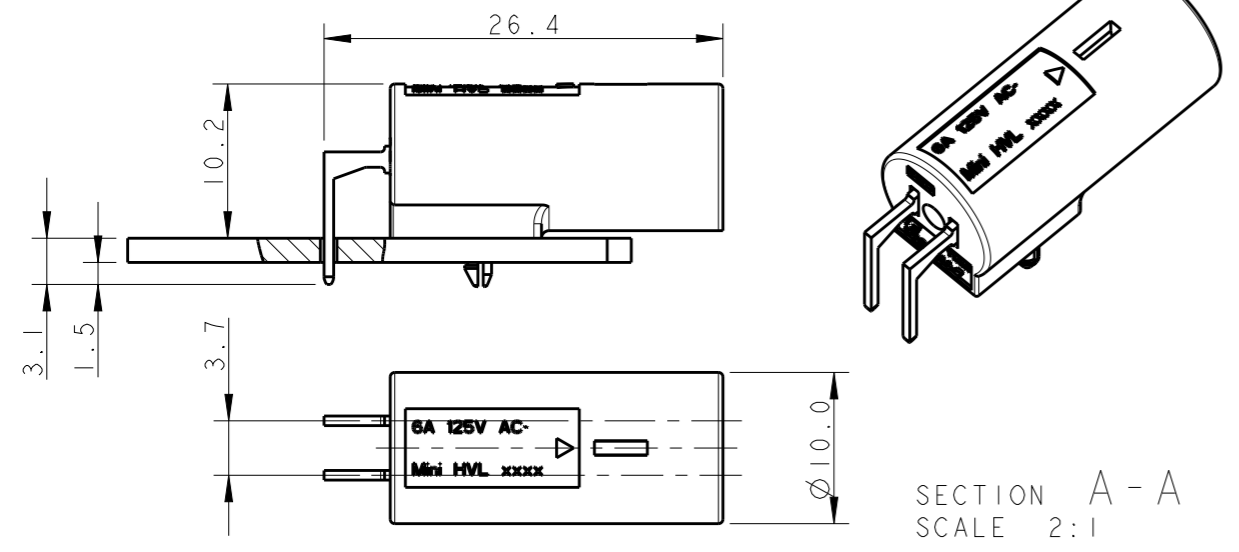


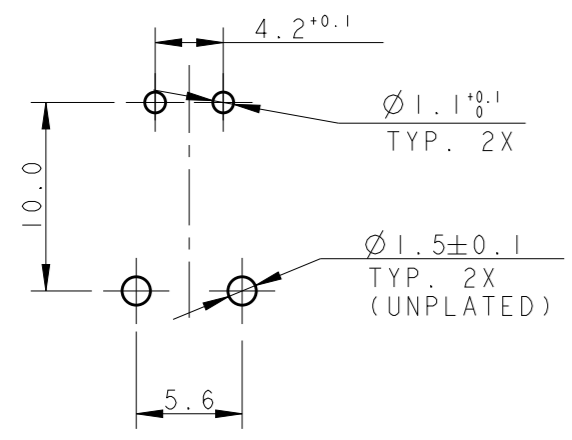
THIS DRAWING IS UNPUBLISHED. RELEASED FOR PUBLICATION 20
 © COPYRIGHT 20 BY - ALL RIGHTS RESERVED.

LOC	DIST	REVISIONS			
P	LTR	DESCRIPTION	DATE	DWN	APVD
	A	FIRST ISSUE	16FEB2010	AV	GT
	A1	REVISED PCB HOLES LAYOUT	04APR2011	AV	GT
	A2	REVISED PER ECR-13-009678	18SEP2013	RS	DD

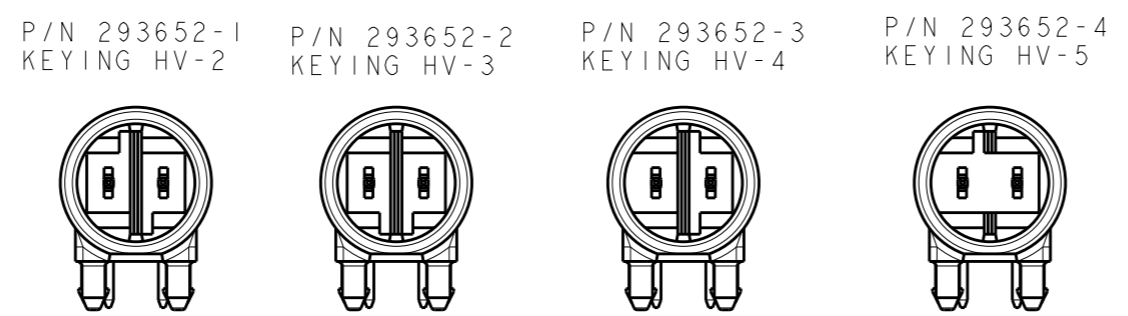
TYPICAL APPLICATION



PRINTED CIRCUIT BOARD LAYOUT FOR LOW VOLTAGE VERSION
 TOLERANCES UNLESS OTHERWISE SPECIFIED ± 0.05
 PRINTED CIRCUIT BOARD THICKNESS: 1.6 mm NOMINAL

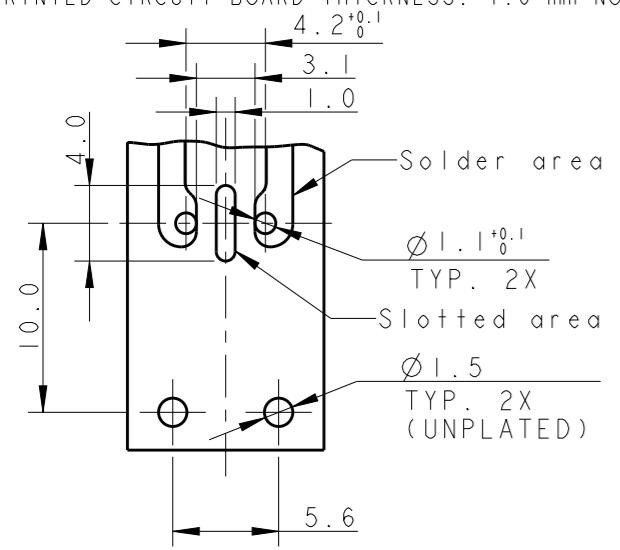


HIGH VOLTAGE

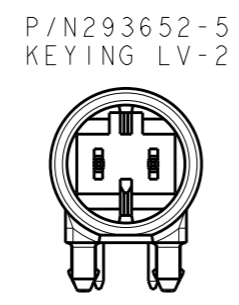


NOTE:
 1) TIN PLATED CONTACTS
 2) MATERIAL HOUSING PBT, 15%GFF, UL 94 V0

PRINTED CIRCUIT BOARD LAYOUT FOR HIGH VOLTAGE VERSION
 TOLERANCES UNLESS OTHERWISE SPECIFIED ± 0.05
 PRINTED CIRCUIT BOARD THICKNESS: 1.6 mm NOMINAL



LOW VOLTAGE



KEYING	REMARKS	PART NUMBER	COLOR
LV-2	LOW-VOLT 7A 42 V DC	293652-5	WHITE
HV-5	HIGH-VOLT 6A 125 V AC	293652-4	WHITE
HV-4	HIGH-VOLT 6A 125 V AC	293652-3	WHITE
HV-3	HIGH-VOLT 6A 125 V AC	293652-2	WHITE
HV-2	SWITCH-KEYING	293652-1	WHITE

THIS DRAWING IS A CONTROLLED DOCUMENT.

DWN: R. FRABONI 20 JUN 2007
 CHK: J. SALO 11 FEB 2008
 APVD: L. BAILO 11 FEB 2008

PRODUCT SPEC: 108-20294
 APPLICATION SPEC: 114-32102

WEIGHT: -

CUSTOMER DRAWING

STE TE Connectivity

NAME: 7.5 mm PCB CONNECTOR ASSEMBLY 90 DEGREE MALE VERSION FOR USA MARKET

SIZE: A3 CAGE CODE: 00779 C=293652 DRAWING NO: 293652 RESTRICTED TO: -

SCALE: 2:1 SHEET: 1 OF 1 REV: A2

X-ON Electronics

Largest Supplier of Electrical and Electronic Components

Click to view similar products for [Lighting Connectors](#) category:

Click to view products by [TE Connectivity](#) manufacturer:

Other Similar products are found below :

[293300-7](#) [293660-5](#) [CNX_H03_NTP](#) [30-9767-BU](#) [3605](#) [3-21030-1](#) [ZCH-110-RGB-I](#) [503471-0290](#) [ZCH-110-RGB-J](#) [217-0716-200](#)
[1954563-1](#) [1-293657-2](#) [2834036-1](#) [2834037-1](#) [1-2213222-4](#) [2-2213222-4](#) [2213222-4](#) [2834122-3](#) [2834122-5](#) [2834135-2](#) [FLA-R4142-30](#)
[FLA-R4162-30](#) [FLA-R2142-30](#) [FLA-R2141-30](#) [FLA-R2162-30](#) [FLA-R2161-30](#) [FLA-R0161-30](#) [FLA-R0141-30](#) [FLA-R0142-30](#) [FLA-](#)
[R0162-30](#) [FLA-C00-00](#) [DGA00010553](#) [CNXV04NTP](#) [104128-0610](#) [503485-0000 \(Cut Strip\)](#) [503485-0000 \(Loose Piece\)](#) [503485-0000](#)
[\(MINI Reel\)](#) [1-2834074-2](#) [1-2834074-3](#) [1357-AC PLUG W2C \(CHINA\)](#) [1357-AC PLUG W2 \(USA\)](#) [104266-0110](#) [CNXV02NTP](#) [2106212-1](#)
[2-2834074-2](#) [104266-0210](#) [293470-1](#) [293651-2](#) [293651-4](#) [1-2834006-2](#)