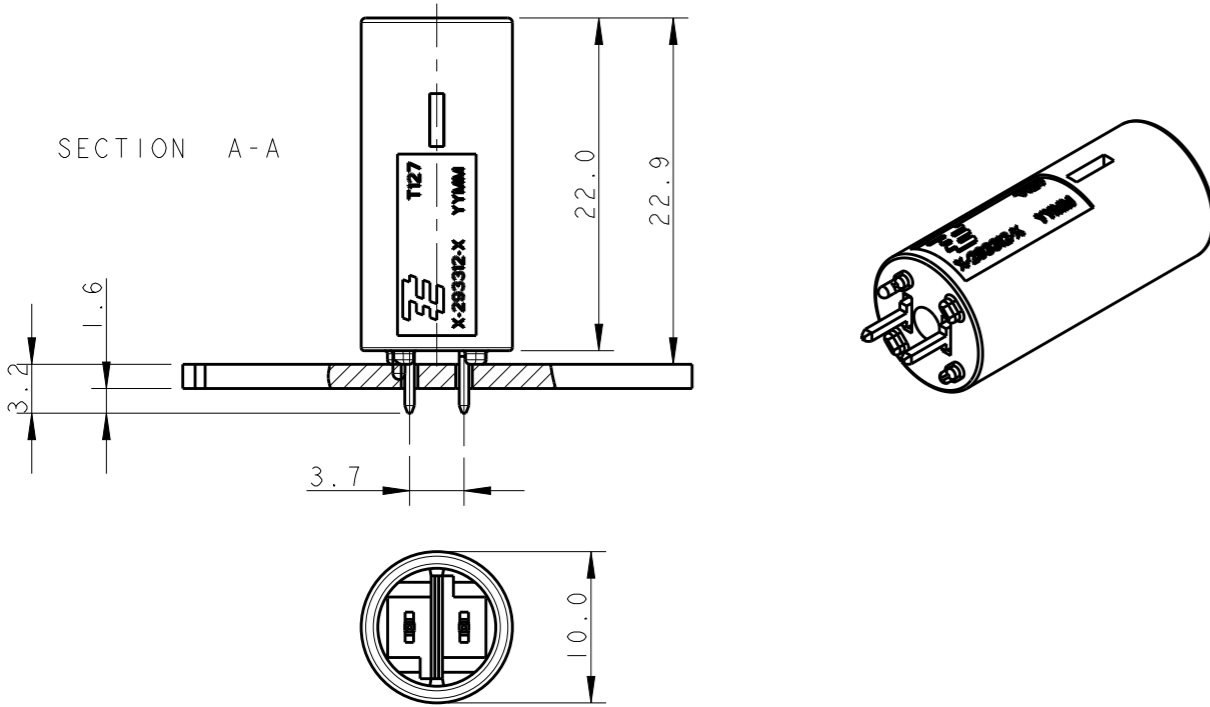


THIS DRAWING IS UNPUBLISHED. RELEASED FOR PUBLICATION 20
 © COPYRIGHT 20 BY - ALL RIGHTS RESERVED.

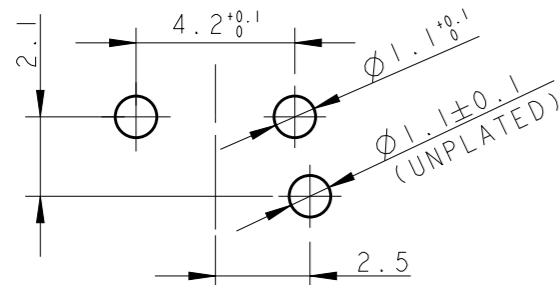
| LOC | DIST | REVISIONS | | | | | |
|-----|------|-----------|-----|-----------------------------------|-----------|-----|------|
| | | P | LTR | DESCRIPTION | DATE | DWN | APVD |
| 1 | 2 | | A | FIRST ISSUE | 17FEB2010 | AV | GT |
| | | | A1 | REVISED MARKS ON -5 WAS MARKED AC | 04OCT2011 | AV | GT |
| | | | A2 | REVISED PER ECR-13-009678 | 18SEP2013 | RS | DD |

TYPICAL APPLICATION



PRINTED CIRCUIT BOARD LAYOUT FOR LOW VOLTAGE VERSION

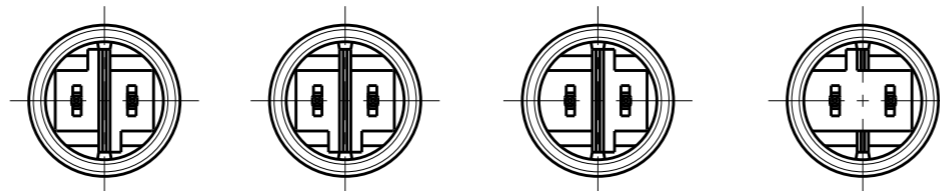
TOLERANCES UNLESS OTHERWISE SPECIFIED ± 0.05
 PRINTED CIRCUIT BOARD THICKNESS: 1.6 mm NOMINAL



SCALE 5:2

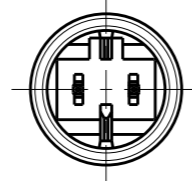
HIGH VOLTAGE

KEYING HV-2 KEYING HV-3 KEYING HV-4 KEYING HV-5



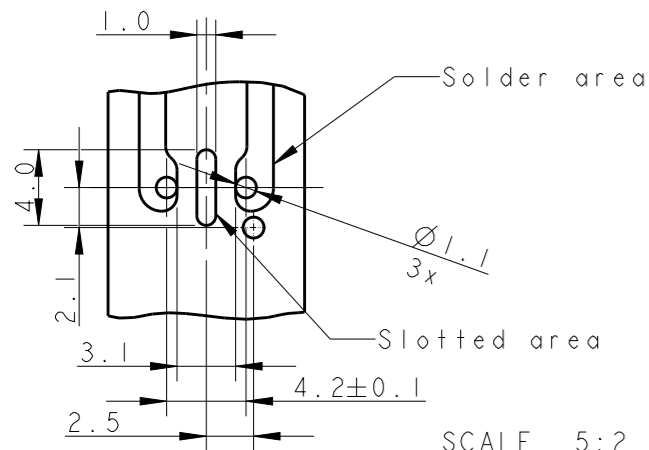
LOW VOLTAGE

KEYING LV-2



PRINTED CIRCUIT BOARD LAYOUT FOR HIGH VOLTAGE VERSION

TOLERANCES UNLESS OTHERWISE SPECIFIED ± 0.05
 PRINTED CIRCUIT BOARD THICKNESS: 1.6 mm NOMINAL



SCALE 5:2

| KEYING | REMARKS | PART NUMBER | CTC. FINISH SURFACE | COLOR |
|--------|--------------------------|-------------|---------------------|-------|
| LV-2 | LOW-VOLT 42 V DC | 293653-5 | TIN | WHITE |
| HV-5 | HIGH-VOLT 6A 125 V AC | 293653-4 | TIN | WHITE |
| HV-4 | HIGH-VOLT 6A 125 V AC | 293653-3 | TIN | WHITE |
| HV-3 | HIGH-VOLT 6A 125 V AC | 293653-2 | TIN | WHITE |
| HV-2 | SWITCH-KEYING | 293653-1 | TIN | WHITE |

| | | | | |
|--|--|--------------------------------|---|--------------------|
| THIS DRAWING IS A CONTROLLED DOCUMENT. | | DWN A. vecchia 17FEB2010 | TE Connectivity | |
| DIMENSIONS: mm | | CHK G. Turco 17FEB2010 | | |
| TOLERANCES UNLESS OTHERWISE SPECIFIED: | | APVD G. Turco 17FEB2010 | NAME 7.5 mm PCB CONNECTOR ASSEMBLY STRAIGHT MALE VERSION FOR USA MARKET | |
| 0 PLC ±- | | PRODUCT SPEC 108-20294 | RESTRICTED TO | |
| 1 PLC ±0.3 | | APPLICATION SPEC 114-32102 | SIZE A3 | CAGE CODE 00779 |
| 2 PLC ±0.1 | | WEIGHT - | DRAWING NO C-293653 | |
| 3 PLC ±- | | CUSTOMER DRAWING | SCALE 5:1 | |
| 4 PLC ±- | | | SHEET 1 OF 1 | |
| ANGLES ±0.5° | | REV A2 | | |
| FINISH - | | | | |

X-ON Electronics

Largest Supplier of Electrical and Electronic Components

Click to view similar products for [Lighting Connectors](#) category:

Click to view products by [TE Connectivity](#) manufacturer:

Other Similar products are found below :

[293300-7](#) [293660-5](#) [CNX_H03_NTP](#) [30-9767-BU](#) [3605](#) [3-21030-1](#) [ZCH-110-RGB-I](#) [503471-0290](#) [ZCH-110-RGB-J](#) [217-0716-200](#)
[1954563-1](#) [1-293657-2](#) [2834036-1](#) [2834037-1](#) [1-2213222-4](#) [2-2213222-4](#) [2213222-4](#) [2834122-3](#) [2834122-5](#) [2834135-2](#) [FLA-R4142-30](#)
[FLA-R4162-30](#) [FLA-R2142-30](#) [FLA-R2141-30](#) [FLA-R2162-30](#) [FLA-R2161-30](#) [FLA-R0161-30](#) [FLA-R0141-30](#) [FLA-R0142-30](#) [FLA-](#)
[R0162-30](#) [FLA-C00-00](#) [DGA00010553](#) [CNXV04NTP](#) [104128-0610](#) [503485-0000 \(Cut Strip\)](#) [503485-0000 \(Loose Piece\)](#) [503485-0000](#)
[\(MINI Reel\)](#) [1-2834074-2](#) [1-2834074-3](#) [1357-AC PLUG W2C \(CHINA\)](#) [1357-AC PLUG W2 \(USA\)](#) [104266-0110](#) [CNXV02NTP](#) [2106212-1](#)
[2-2834074-2](#) [104266-0210](#) [293470-1](#) [293651-2](#) [293651-4](#) [1-2834006-2](#)