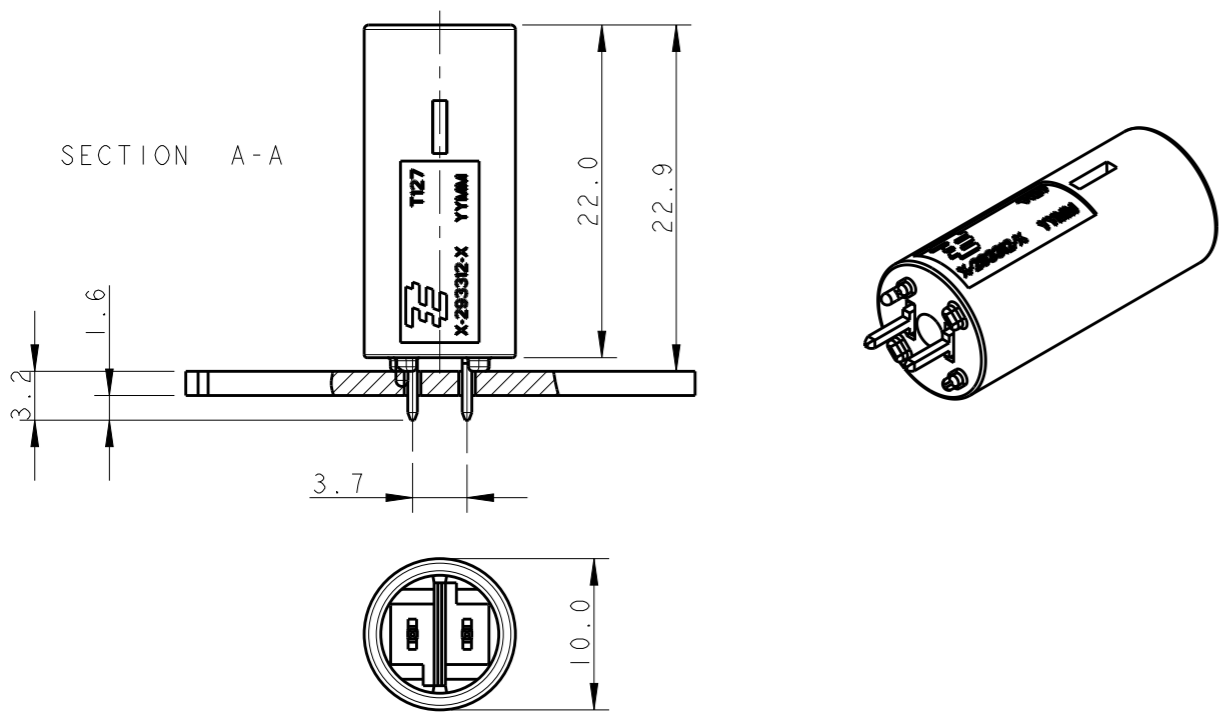


THIS DRAWING IS UNPUBLISHED. RELEASED FOR PUBLICATION 20
© COPYRIGHT 20 BY - ALL RIGHTS RESERVED.

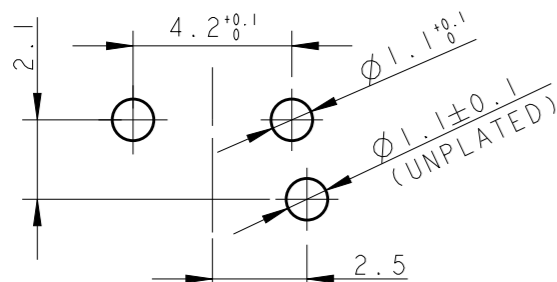
LOC	DIST	REVISIONS					
		P	LTR	DESCRIPTION	DATE	DWN	APVD
1	2		A	FIRST ISSUE	17FEB2010	AV	GT
			A1	REVISED MARKS ON -5 WAS MARKED AC	04OCT2011	AV	GT
			A2	REVISED PER ECR-13-009678	18SEP2013	RS	DD

TYPICAL APPLICATION



PRINTED CIRCUIT BOARD LAYOUT FOR LOW VOLTAGE VERSION

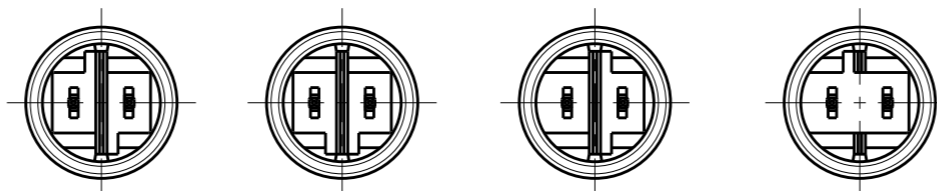
TOLERANCES UNLESS OTHERWISE SPECIFIED ± 0.05
PRINTED CIRCUIT BOARD THICKNESS: 1.6 mm NOMINAL



SCALE 5:2

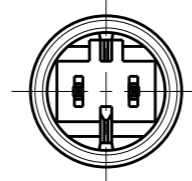
HIGH VOLTAGE

KEYING HV-2 KEYING HV-3 KEYING HV-4 KEYING HV-5



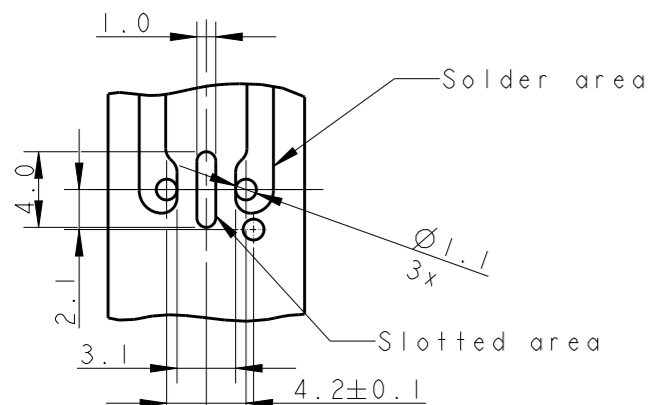
LOW VOLTAGE

KEYING LV-2



PRINTED CIRCUIT BOARD LAYOUT FOR HIGH VOLTAGE VERSION

TOLERANCES UNLESS OTHERWISE SPECIFIED ± 0.05
PRINTED CIRCUIT BOARD THICKNESS: 1.6 mm NOMINAL



SCALE 5:2

KEYING	REMARKS	PART NUMBER	CTC. FINISH SURFACE	COLOR
LV-2	LOW-VOLT 42 V DC	293653-5	TIN	WHITE
HV-5	HIGH-VOLT 6A 125 V AC	293653-4	TIN	WHITE
HV-4	HIGH-VOLT 6A 125 V AC	293653-3	TIN	WHITE
HV-3	HIGH-VOLT 6A 125 V AC	293653-2	TIN	WHITE
HV-2	SWITCH-KEYING	293653-1	TIN	WHITE

THIS DRAWING IS A CONTROLLED DOCUMENT.

DIMENSIONS:	TOLERANCES UNLESS OTHERWISE SPECIFIED:
mm	
	0 PLC ±-
	1 PLC ±0.3
	2 PLC ±0.1
	3 PLC ±-
	4 PLC ±-
	ANGLES ±0.5°
MATERIAL	FINISH

DWN	A. vecchia	17FEB2010
CHK	G. Turco	17FEB2010
APVD	G. Turco	17FEB2010
PRODUCT SPEC	108-20294	
APPLICATION SPEC	114-32102	
WEIGHT	-	
CUSTOMER DRAWING		

STE TE Connectivity

NAME: 7.5 mm PCB CONNECTOR ASSEMBLY STRAIGHT MALE VERSION FOR USA MARKET

SIZE	CAGE CODE	DRAWING NO	RESTRICTED TO
A3	00779	C-293653	-

SCALE 5:1 SHEET 1 OF 1 REV A2

X-ON Electronics

Largest Supplier of Electrical and Electronic Components

Click to view similar products for [Lighting Connectors](#) category:

Click to view products by [TE Connectivity](#) manufacturer:

Other Similar products are found below :

[293300-7](#) [293660-5](#) [CNX_H03_NTP](#) [30-9767-BU](#) [3605](#) [3-21030-1](#) [ZCH-110-RGB-I](#) [503471-0290](#) [ZCH-110-RGB-J](#) [217-0716-200](#)
[1954563-1](#) [1-293657-2](#) [2834036-1](#) [2834037-1](#) [1-2213222-4](#) [2-2213222-4](#) [2213222-4](#) [2834122-3](#) [2834122-5](#) [2834135-2](#) [FLA-R4142-30](#)
[FLA-R4162-30](#) [FLA-R2142-30](#) [FLA-R2141-30](#) [FLA-R2162-30](#) [FLA-R2161-30](#) [FLA-R0161-30](#) [FLA-R0141-30](#) [FLA-R0142-30](#) [FLA-](#)
[R0162-30](#) [FLA-C00-00](#) [DGA00010553](#) [CNXV04NTP](#) [104128-0610](#) [503485-0000 \(Cut Strip\)](#) [503485-0000 \(Loose Piece\)](#) [503485-0000](#)
[\(MINI Reel\)](#) [1-2834074-2](#) [1-2834074-3](#) [1357-AC PLUG W2C \(CHINA\)](#) [1357-AC PLUG W2 \(USA\)](#) [104266-0110](#) [2106212-1](#) [2-2834074-2](#)
[104266-0210](#) [293470-1](#) [293651-2](#) [293651-4](#) [1-2834006-2](#) [293651-1](#)