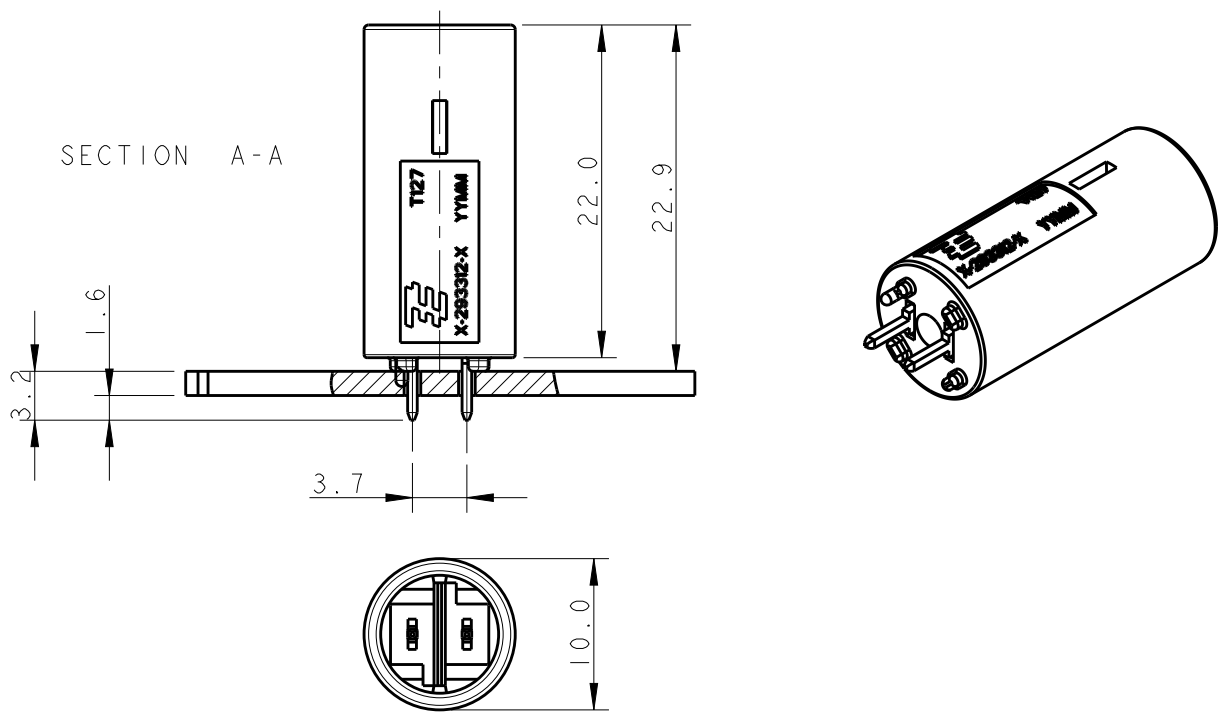


THIS DRAWING IS UNPUBLISHED. RELEASED FOR PUBLICATION 20  
© COPYRIGHT 20 BY - ALL RIGHTS RESERVED.

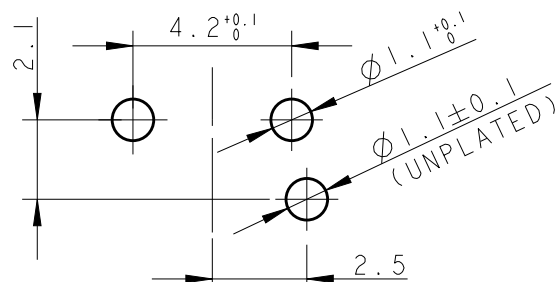
| LOC | DIST | REVISIONS |     |                                   |           |     |      |
|-----|------|-----------|-----|-----------------------------------|-----------|-----|------|
|     |      | P         | LTR | DESCRIPTION                       | DATE      | DWN | APVD |
| 1   | 2    |           | A   | FIRST ISSUE                       | 17FEB2010 | AV  | GT   |
|     |      |           | A1  | REVISED MARKS ON -5 WAS MARKED AC | 04OCT2011 | AV  | GT   |
|     |      |           | A2  | REVISED PER ECR-13-009678         | 18SEP2013 | RS  | DD   |

### TYPICAL APPLICATION



### PRINTED CIRCUIT BOARD LAYOUT FOR LOW VOLTAGE VERSION

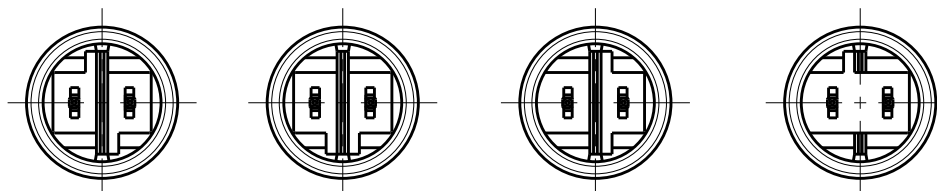
TOLERANCES UNLESS OTHERWISE SPECIFIED ± 0.05  
PRINTED CIRCUIT BOARD THICKNESS: 1.6 mm NOMINAL



SCALE 5:2

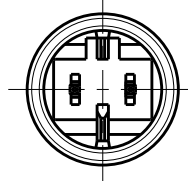
### HIGH VOLTAGE

KEYING HV-2    KEYING HV-3    KEYING HV-4    KEYING HV-5



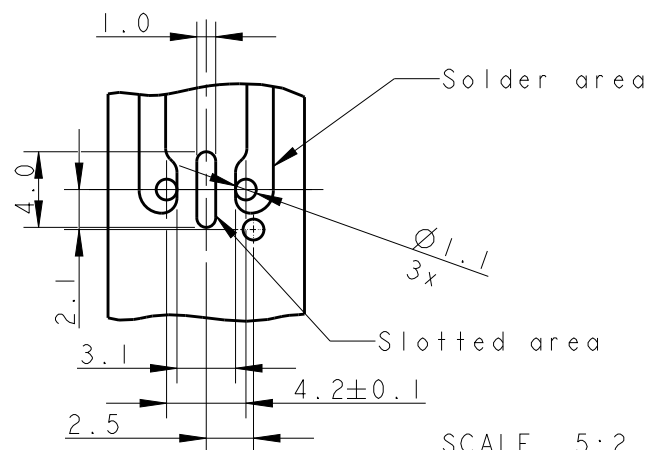
### LOW VOLTAGE

KEYING LV-2



### PRINTED CIRCUIT BOARD LAYOUT FOR HIGH VOLTAGE VERSION

TOLERANCES UNLESS OTHERWISE SPECIFIED ± 0.05  
PRINTED CIRCUIT BOARD THICKNESS: 1.6 mm NOMINAL



SCALE 5:2

| KEYING | REMARKS                  | PART NUMBER | CTC. FINISH SURFACE | COLOR |
|--------|--------------------------|-------------|---------------------|-------|
| LV-2   | LOW-VOLT<br>42 V DC      | 293653-5    | TIN                 | WHITE |
| HV-5   | HIGH-VOLT<br>6A 125 V AC | 293653-4    | TIN                 | WHITE |
| HV-4   | HIGH-VOLT<br>6A 125 V AC | 293653-3    | TIN                 | WHITE |
| HV-3   | HIGH-VOLT<br>6A 125 V AC | 293653-2    | TIN                 | WHITE |
| HV-2   | SWITCH-KEYING            | 293653-1    | TIN                 | WHITE |

THIS DRAWING IS A CONTROLLED DOCUMENT.

|                   |  |  |  |
|-------------------|--|--|--|
| DIMENSIONS:<br>mm | TOLERANCES UNLESS OTHERWISE SPECIFIED:<br>0 PLC ±-<br>1 PLC ±0.3<br>2 PLC ±0.1<br>3 PLC ±-<br>4 PLC ±-<br>ANGLES ±0.5° | DWN<br>A. vecchia 17FEB2010<br>CHK<br>G. Turco 17FEB2010<br>APVD<br>G. Turco 17FEB2010 | TE Connectivity<br><b>7.5 mm PCB CONNECTOR ASSEMBLY<br/>STRAIGHT MALE VERSION FOR USA MARKET</b> |
| MATERIAL -        | FINISH -   | PRODUCT SPEC<br>108-20294<br>APPLICATION SPEC<br>114-32102<br>WEIGHT -                 |  |

|      |      |           |            |               |
|------|------|-----------|------------|---------------|
| NAME | SIZE | CAGE CODE | DRAWING NO | RESTRICTED TO |
| -    | A3   | 00779     | C-293653   | -             |

CUSTOMER DRAWING    SCALE 5:1    SHEET 1 OF 1    REV A2

## X-ON Electronics

Largest Supplier of Electrical and Electronic Components

*Click to view similar products for [Lighting Connectors](#) category:*

*Click to view products by [TE Connectivity](#) manufacturer:*

Other Similar products are found below :

[293300-7](#) [293660-5](#) [CNX\\_H03\\_NTP](#) [30-9767-BU](#) [3605](#) [3-21030-1](#) [ZCH-110-RGB-I](#) [503471-0290](#) [ZCH-110-RGB-J](#) [217-0716-200](#)  
[1954563-1](#) [1-293657-2](#) [2834036-1](#) [2834037-1](#) [1-2213222-4](#) [2-2213222-4](#) [2213222-4](#) [2834122-3](#) [2834122-5](#) [2834135-2](#) [FLA-R4142-30](#)  
[FLA-R4162-30](#) [FLA-R2142-30](#) [FLA-R2141-30](#) [FLA-R2162-30](#) [FLA-R2161-30](#) [FLA-R0161-30](#) [FLA-R0141-30](#) [FLA-R0142-30](#) [FLA-](#)  
[R0162-30](#) [FLA-C00-00](#) [DGA00010553](#) [CNXV04NTP](#) [104128-0610](#) [503485-0000 \(Cut Strip\)](#) [503485-0000 \(Loose Piece\)](#) [503485-0000](#)  
[\(MINI Reel\)](#) [1-2834074-2](#) [1-2834074-3](#) [1357-AC PLUG W2C \(CHINA\)](#) [1357-AC PLUG W2 \(USA\)](#) [104266-0110](#) [2106212-1](#) [2-2834074-2](#)  
[104266-0210](#) [293470-1](#) [293651-2](#) [293651-4](#) [1-2834006-2](#) [293651-1](#)