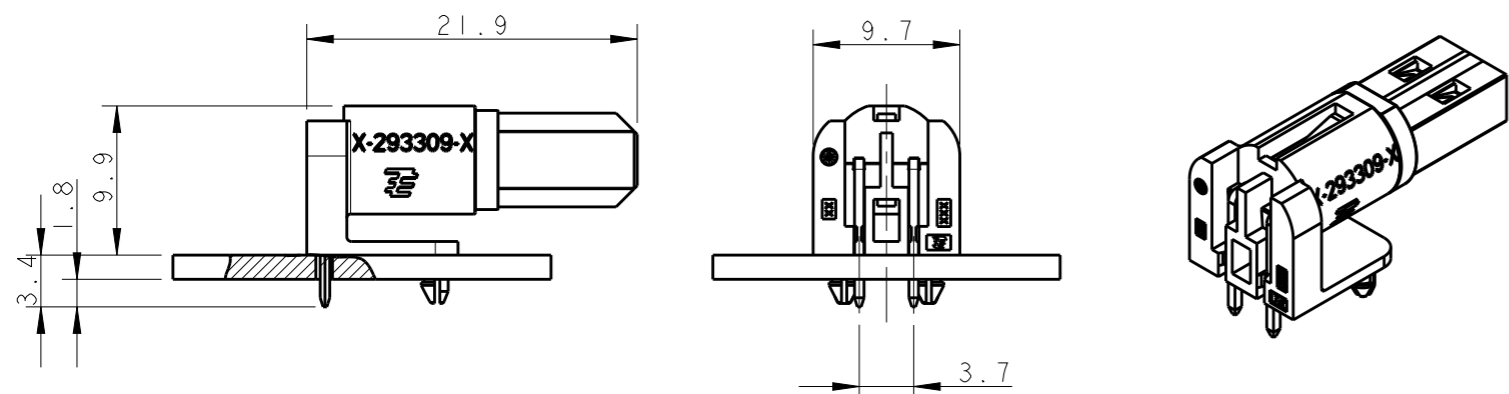


THIS DRAWING IS UNPUBLISHED. RELEASED FOR PUBLICATION 20
 © COPYRIGHT 20 BY - ALL RIGHTS RESERVED.

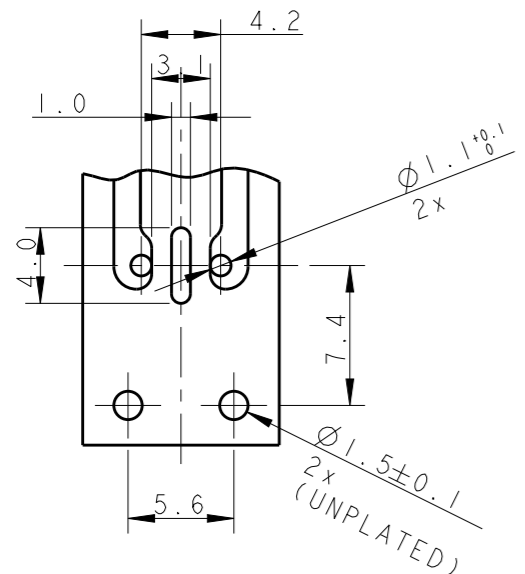
LOC	DIST	REVISIONS					
		P	LTR	DESCRIPTION	DATE	DWN	APVD
1	2		A	FIRST ISSUE	18FEB2010	AV	GT
			A1	REVISED PCB HOLES LAYOUT	04APR2011	AV	GT
			A2	REVISED PER ECR-13-009678	18SEP2013	RS	DD

TYPICAL APPLICATION

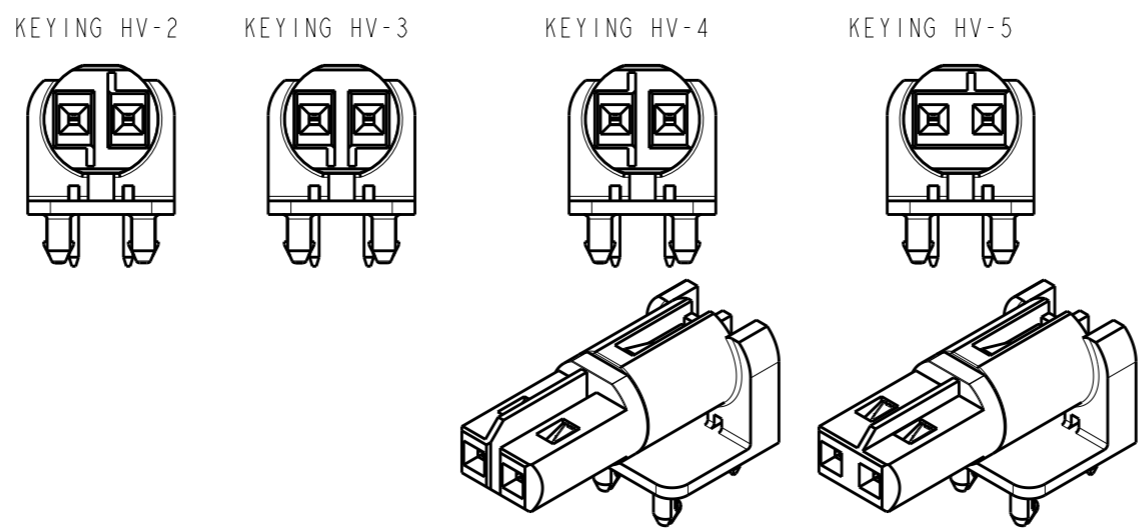


PRINTED CIRCUIT BOARD LAYOUT FOR HIGH VOLTAGE VERSION

TOLERANCES UNLESS OTHERWISE SPECIFIED ± 0.05
 PRINTED CIRCUIT BOARD THICKNESS: 1.6 mm NOMINAL



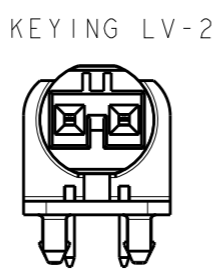
HIGH VOLTAGE



MATERIALS:

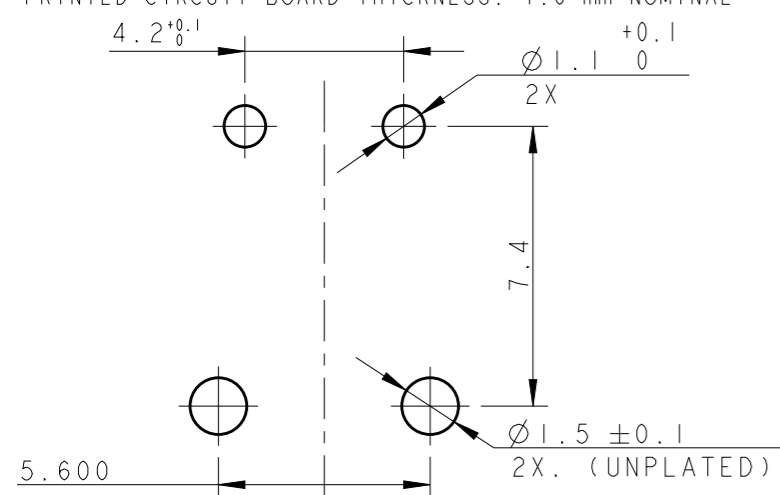
- 1) CONTACTS: SOLDERING SIDE TIN PLATED Ph. BRONZE
 RECEPTACLE IN SPECIAL ALLOY COPPER TIN PLATED
 - HOUSING: PBT 15%GF UL 94 V0 WHITE COLOR
- △2 TO BE USED FOR SWITCH APPLICATION ONLY

LOW VOLTAGE



PRINTED CIRCUIT BOARD LAYOUT FOR LOW VOLTAGE VERSION

TOLERANCES UNLESS OTHERWISE SPECIFIED ± 0.05
 PRINTED CIRCUIT BOARD THICKNESS: 1.6 mm NOMINAL



KEYING	REMARKS	PART NUMBER	REV.
LV-2	LOW-VOLT 42 V DC	293654-5	A
HV-5	HIGH-VOLT 125 V AC	293654-4	A
HV-4	HIGH-VOLT 125 V AC	293654-3	A
HV-3	HIGH-VOLT 125 V AC	293654-2	A
△2 HV-2	HIGH-VOLT 125 V AC	293654-1	A
NOTE	KEYING	REMARKS	PART NUMBER REV.

THIS DRAWING IS A CONTROLLED DOCUMENT.

DIMENSIONS: mm	TOLERANCES UNLESS OTHERWISE SPECIFIED:
	0 PLC ±-
	1 PLC ±0.5
	2 PLC ±0.3
	3 PLC ±-
	4 PLC ±-
	ANGLES ±0.5°
MATERIAL -	FINISH -

DWN	18FEB2010
A. Vecchia	
CHK	18FEB2010
G. Turco	
APVD	18FEB2010
G. TURCO	
PRODUCT SPEC	108-20294
APPLICATION SPEC	114-32102
WEIGHT	-
CUSTOMER DRAWING	



NAME			
7.5 mm PCB CONNECTOR ASSEMBLY 90 DEGREE FEMALE VERSION FOR USA MARKET			
SIZE	CAGE CODE	DRAWING NO	RESTRICTED TO
A3	00779	C-293654	-
SCALE 5:1		SHEET 1 OF 1	REV A2

X-ON Electronics

Largest Supplier of Electrical and Electronic Components

Click to view similar products for [Lighting Connectors](#) category:

Click to view products by [TE Connectivity](#) manufacturer:

Other Similar products are found below :

[293300-7](#) [293660-5](#) [CNX_H03_NTP](#) [30-9767-BU](#) [3605](#) [3-21030-1](#) [ZCH-110-RGB-I](#) [503471-0290](#) [ZCH-110-RGB-J](#) [217-0716-200](#)
[1954563-1](#) [1-293657-2](#) [2834036-1](#) [2834037-1](#) [1-2213222-4](#) [2-2213222-4](#) [2213222-4](#) [2834122-3](#) [2834122-5](#) [2834135-2](#) [FLA-R4142-30](#)
[FLA-R4162-30](#) [FLA-R2142-30](#) [FLA-R2141-30](#) [FLA-R2162-30](#) [FLA-R2161-30](#) [FLA-R0161-30](#) [FLA-R0141-30](#) [FLA-R0142-30](#) [FLA-](#)
[R0162-30](#) [FLA-C00-00](#) [DGA00010553](#) [CNXV04NTP](#) [104128-0610](#) [503485-0000 \(Cut Strip\)](#) [503485-0000 \(Loose Piece\)](#) [503485-0000](#)
[\(MINI Reel\)](#) [1-2834074-2](#) [1-2834074-3](#) [1357-AC PLUG W2C \(CHINA\)](#) [1357-AC PLUG W2 \(USA\)](#) [104266-0110](#) [CNXV02NTP](#) [2106212-1](#)
[2-2834074-2](#) [104266-0210](#) [293470-1](#) [293651-2](#) [293651-4](#) [1-2834006-2](#)