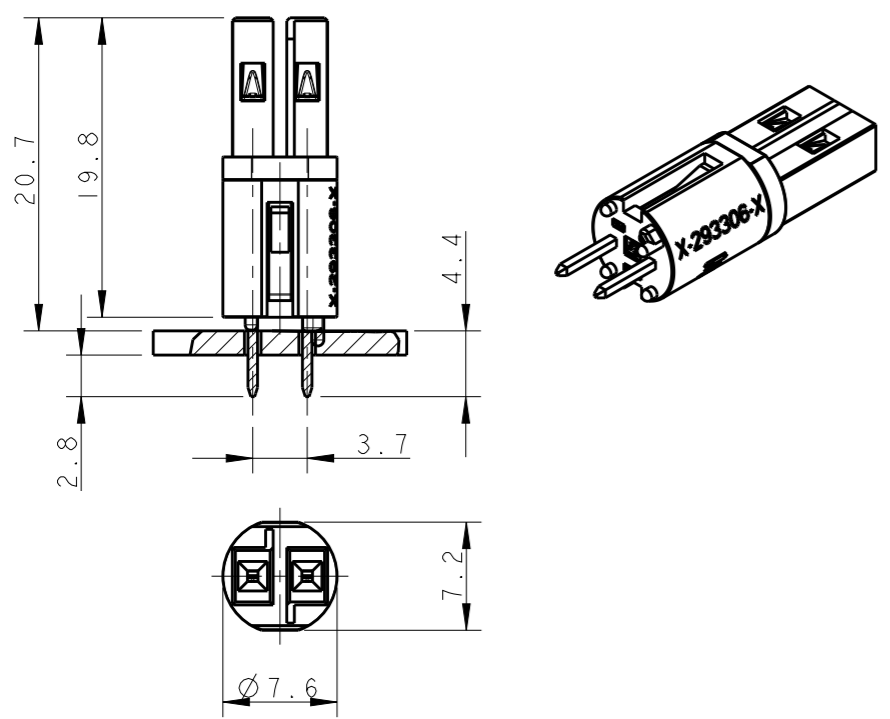


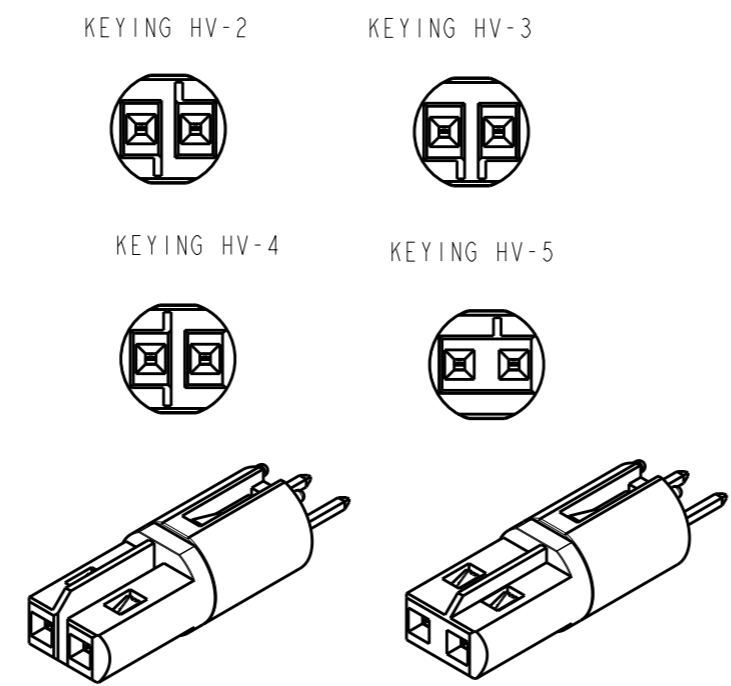
THIS DRAWING IS UNPUBLISHED. RELEASED FOR PUBLICATION 20
 © COPYRIGHT 20 BY - ALL RIGHTS RESERVED.

LOC	DIST	REVISIONS					
		P	LTR	DESCRIPTION	DATE	DWN	APVD
1	2		A	FIRST ISSUE	28FEB2010	AV	GT
			AI	REVISED PER ECR-13-009678	18SEP2013	RS	DD

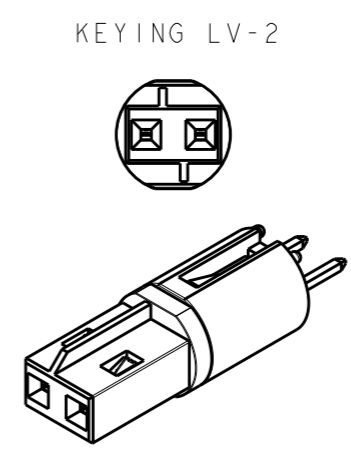
TYPICAL APPLICATION



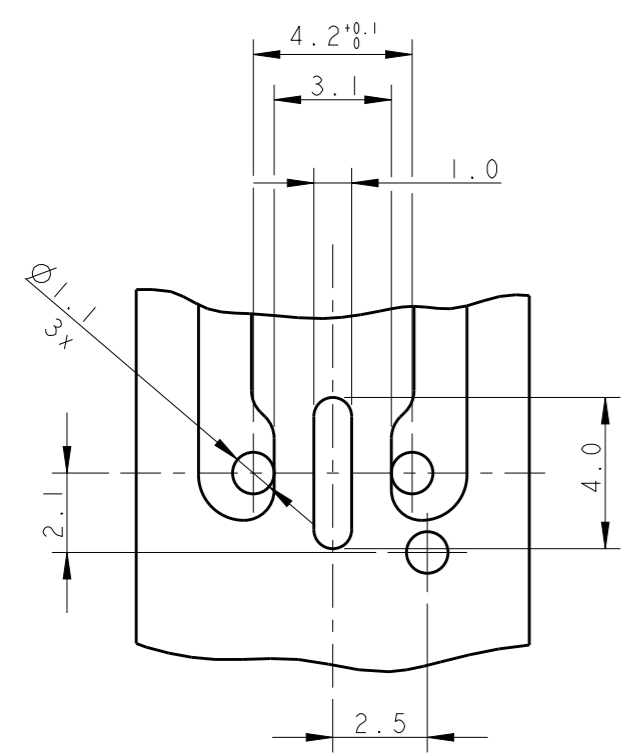
HIGH VOLTAGE



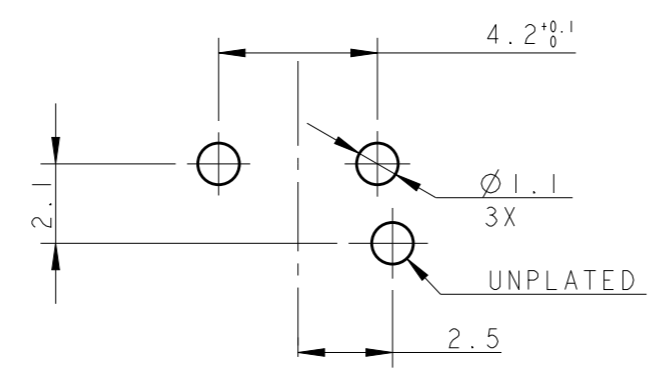
LOW VOLTAGE



PRINTED CIRCUIT BOARD LAYOUT FOR HIGH VOLTAGE VERSION
 TOLERANCES UNLESS OTHERWISE SPECIFIED ± 0.05
 PRINTED CIRCUIT BOARD THICKNESS: 1.6 mm NOMINAL



PRINTED CIRCUIT BOARD LAYOUT FOR LOW VOLTAGE VERSION
 TOLERANCES UNLESS OTHERWISE SPECIFIED ± 0.05
 PRINTED CIRCUIT BOARD THICKNESS: 1.6 mm NOMINAL



MATERIALS:

- 1) CONTACTS: SOLDERING SIDE TIN PLATED Ph. BRONZE RECEPTACLE IN SPECIAL ALLOY COPPER TIN PLATED
- HOUSING: PBT 15%GFF UL 94 V0 COLOR WHITE

△ 2 P/N 293655-1 POLARIZATION KEY HV-2 TO BE USED FOR FOR SWITCH APPLICATION ONLY

NOTE	KEYING	REMARKS	PART NUMBER	REV
	LV-2	LOW-VOLT 42 V DC	293655-5	A
	HV-5	HIGH-VOLT 125 V AC	293655-4	A
	HV-4	HIGH-VOLT 125 V AC	293655-3	A
	HV-3	HIGH-VOLT 125 V AC	293655-2	A
△ 2	HV-2	HIGH-VOLT 125 V AC	293655-1	A

THIS DRAWING IS A CONTROLLED DOCUMENT.

DIMENSIONS:	TOLERANCES UNLESS OTHERWISE SPECIFIED:	DWN	18FEB2010
mm	0 PLC ±-	CHK	A. Vecchia
	1 PLC ±0.5	APVD	G. Turco
	2 PLC ±0.3	PRODUCT SPEC	108-20294
	3 PLC ±-	APPLICATION SPEC	114-32102
	4 PLC ±-	WEIGHT	-
	ANGLES ±0.5°		
MATERIAL	FINISH		

STE TE Connectivity

NAME: 7,5 mm PCB CONNECTOR ASSEMBLY STRAIGHT FEMALE VERSION FOR USA MARKET

SIZE	CAGE CODE	DRAWING NO	RESTRICTED TO
A300779	C=293655		-

Customer Drawing SCALE 5:1 SHEET 1 OF 1 REV AI

X-ON Electronics

Largest Supplier of Electrical and Electronic Components

Click to view similar products for [Lighting Connectors](#) category:

Click to view products by [TE Connectivity](#) manufacturer:

Other Similar products are found below :

[293300-7](#) [293660-5](#) [CNX_H03_NTP](#) [30-9767-BU](#) [3605](#) [3-21030-1](#) [ZCH-110-RGB-I](#) [503471-0290](#) [ZCH-110-RGB-J](#) [217-0716-200](#)
[1954563-1](#) [1-293657-2](#) [2834036-1](#) [2834037-1](#) [1-2213222-4](#) [2-2213222-4](#) [2213222-4](#) [2834122-3](#) [2834122-5](#) [2834135-2](#) [FLA-R4142-30](#)
[FLA-R4162-30](#) [FLA-R2142-30](#) [FLA-R2141-30](#) [FLA-R2162-30](#) [FLA-R2161-30](#) [FLA-R0161-30](#) [FLA-R0141-30](#) [FLA-R0142-30](#) [FLA-](#)
[R0162-30](#) [FLA-C00-00](#) [DGA00010553](#) [CNXV04NTP](#) [104128-0610](#) [503485-0000 \(Cut Strip\)](#) [503485-0000 \(Loose Piece\)](#) [503485-0000](#)
[\(MINI Reel\)](#) [1-2834074-2](#) [1-2834074-3](#) [1357-AC PLUG W2C \(CHINA\)](#) [1357-AC PLUG W2 \(USA\)](#) [104266-0110](#) [2106212-1](#) [2-2834074-2](#)
[104266-0210](#) [293470-1](#) [293651-2](#) [293651-4](#) [1-2834006-2](#) [293651-1](#)