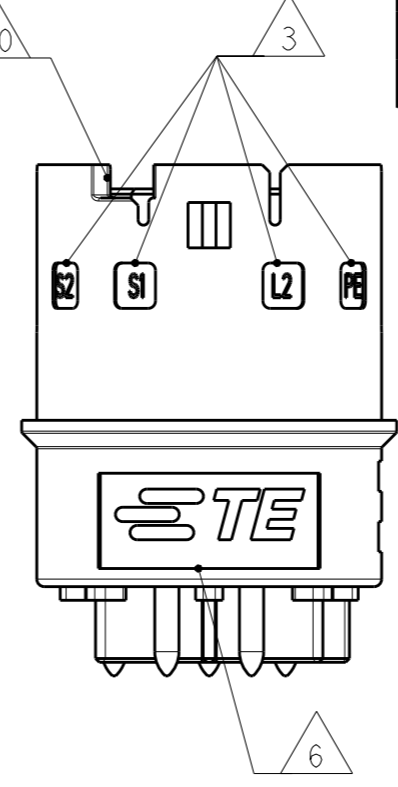
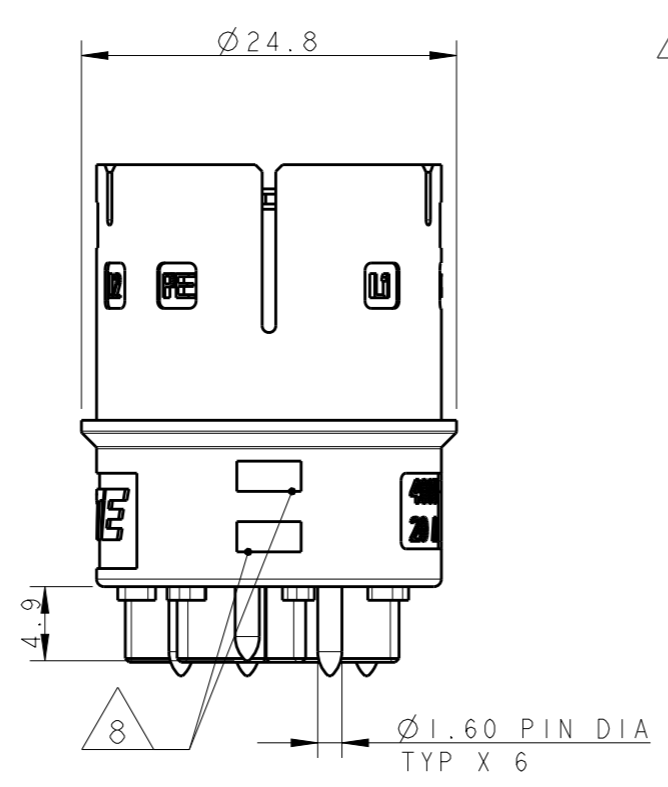
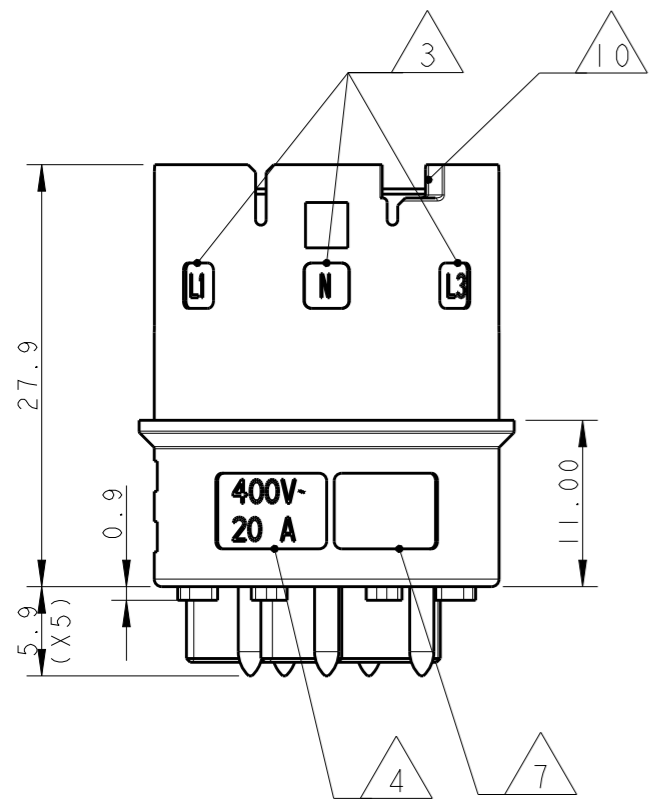
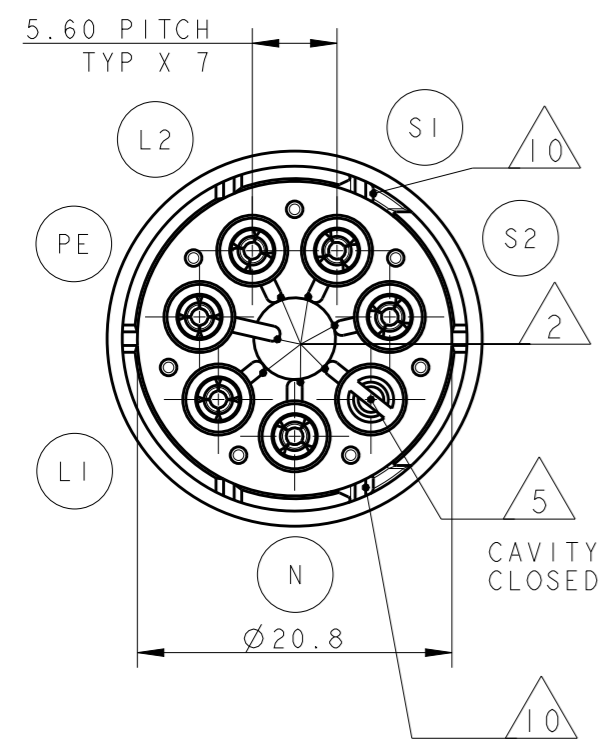


THIS DRAWING IS UNPUBLISHED. RELEASED FOR PUBLICATION 2011
 © COPYRIGHT 2011 BY - ALL RIGHTS RESERVED.

| LOC | DIST | REVISIONS | | | |
|-----|------|-------------|-------------------------------|-----------|-------|
| P | LTR | DESCRIPTION | DATE | DWN | APVD |
| 1 | - | 5 | UPDATED | 07JUN2011 | AB GT |
| | | 6 | UPDATED | 23JUL2013 | MZ JC |
| | | A | PARTS RELEASED FOR PRODUCTION | 13NOV2013 | KR JC |
| | | AI | REVISED PER ECR-18-006945 | 30MAY2018 | NG MZ |



- NOTES:
- 1 MATERIAL: PA GF (NATURAL)
- HOUSING: PA GF
- CONTACTS: BRASS TIN PLATED
 - 2 ALL POLARIZATION KEYS SHOWN FOR REF ONLY
 - 3 WAYS I.D.
 - 4 VOLTAGE AND CURRENT RATINGS
 - 5 RIB CLOSING CAVITY BY CHANGE OVER
 - 6 TE LOGO
 - 7 AREA FOR AGENCIES APPROVAL LOGO
 - 8 VISUAL INDICATOR FOR PE CONDUCTOR
 - 9) SEE C-DRAWING 293682 (LOCKING CAP) TO GET IP 40
 - 10 SLOTS TO ALLOW DELATCHING TOOL OPERATION. FOR DELATCHING TOOL AND OPERATION REFER TO APPLICATION SPECIFICATION



PCB CUT-OUT AND HOLES DIMENSIONS (±0.03)

BOTTOM VIEW

TOP VIEW

SCALE 1:1

Ø12.91
PIN HOLES CENTER PLACED ALONG VERTEX OF HEPTAGON FIGURE INSCRIBED INTO CIRCLE 12.91MM DIA.

Ø1.80 TYP X 5

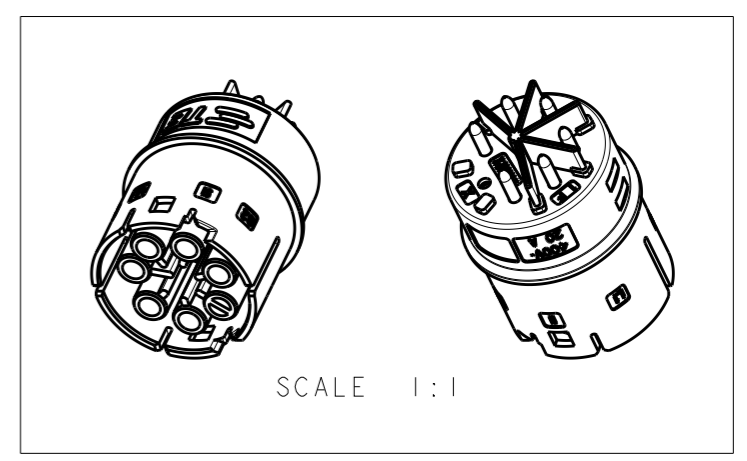
9.60 TYP X 5

5.60 TYP X 5

1.00 TYP X 5

R1.25

RACOMANDED PCB THICKNESS 1.6±0.06, PATH THICKNESS 0.07, PATH WIDTH 7.50±0.05 FOR LINES, PE, NEUTRAL



| | | | | |
|--|--|---------------------------------|---|--|
| THIS DRAWING IS A CONTROLLED DOCUMENT. | | DWN A. BERNARDI 31MAR2011 | TE Connectivity | |
| DIMENSIONS: mm | | CHK - | | |
| TOLERANCES UNLESS OTHERWISE SPECIFIED: | | APVD G. TURCO 31MAR2011 | NAME SOCKET 6 POLES PCB CONNECTOR NECTOR M-LINE | |
| 0 PLC ±- | | PRODUCT SPEC 108-20324 | SIZE A300779 | |
| 1 PLC ±0.3 | | APPLICATION SPEC 114-20169 | CAGE CODE C-293671 | |
| 2 PLC ±0.2 | | WEIGHT - | DRAWING NO - | |
| 3 PLC ±- | | Customer Drawing | RESTRICTED TO - | |
| 4 PLC ±- | | SCALE 2:1 | SHEET 1 OF 2 | |
| ANGLES ±3° | | | REV AI | |
| FINISH - | | | | |

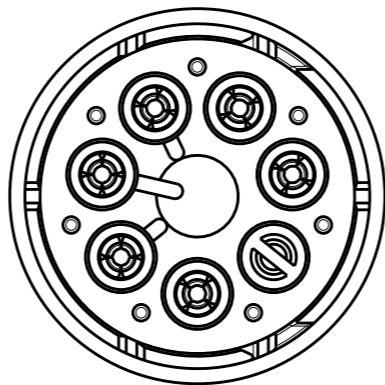
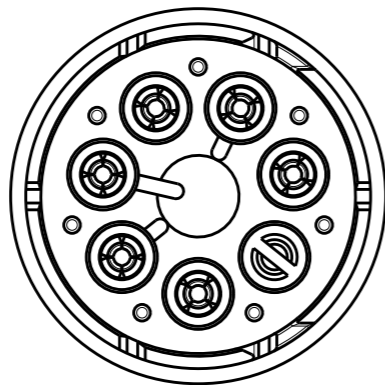
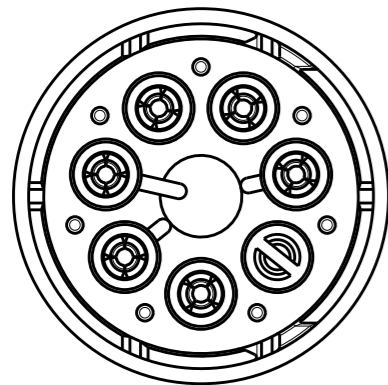
| LOC | DIST | REVISIONS | | | | | |
|-----|------|-----------|-----|-------------|------|-----|------|
| | | P | LTR | DESCRIPTION | DATE | DWN | APVD |
| 1 | - | - | - | SEE SHEET 1 | - | - | - |
| | | | | | | | |
| | | | | | | | |

POLARIZATION TYPES

POLARIZATION TYPE "C"

POLARIZATION TYPE "D"

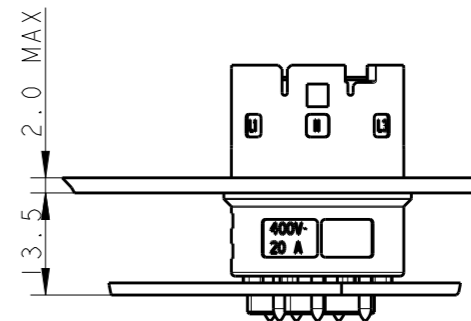
POLARIZATION TYPE "E"



PNs 0-293671-3

PNs ~~0-293671-4~~

PNs ~~0-293671-5~~



SCALE 1:1

∅23.20^{+0.20}/_{-0.10}
HOLES DIA. INTO PANEL/WALL

WALL/PANEL

| | | | | | | |
|-------------|--------------------|---------------|--------------------|--|------------|-----------------------|
| OBSOLETE | | E | NATURAL | SOCKET PCB CONN 6 POLES NECTOR* M-LINE | A | 0-293671-5 |
| | | D | NATURAL | SOCKET PCB CONN 6 POLES NECTOR* M-LINE | A | 0-293671-4 |
| | | C | NATURAL | SOCKET PCB CONN 6 POLES NECTOR* M-LINE | A | 0-293671-3 |
| NOTE | POL. KEYING | COLOUR | DESCRIPTION | REV. | P/N | |

| | | | | | | |
|--|--|---------------------------------|--|--|------------------------|--|
| THIS DRAWING IS A CONTROLLED DOCUMENT. | | DWN A. BERNARDI 31MAR2011 | TE Connectivity | | | |
| DIMENSIONS: mm | | CHK - | | | | |
| TOLERANCES UNLESS OTHERWISE SPECIFIED: | | APVD G. TURCO 31MAR2011 | NAME SOCKET 6 POLES PCB CONNECTOR NECTOR M-LINE | | | |
| | | PRODUCT SPEC 108-20324 | SIZE A300779 | | | |
| MATERIAL - | | FINISH - | APPLICATION SPEC 114-20169 | | DRAWING NO C-293671 | |
| | | WEIGHT - | Customer Drawing | | RESTRICTED TO - | |
| | | | SCALE 2:1 | | SHEET 2 OF 2 | |
| | | | | | REV A1 | |

X-ON Electronics

Largest Supplier of Electrical and Electronic Components

Click to view similar products for [Lighting Connectors](#) category:

Click to view products by [TE Connectivity](#) manufacturer:

Other Similar products are found below :

[293300-7](#) [293660-5](#) [CNX_H03_NTP](#) [30-9767-BU](#) [3605](#) [3-21030-1](#) [ZCH-110-RGB-I](#) [503471-0290](#) [ZCH-110-RGB-J](#) [217-0716-200](#)
[1954563-1](#) [1-293657-2](#) [2834036-1](#) [2834037-1](#) [1-2213222-4](#) [2-2213222-4](#) [2213222-4](#) [2834122-3](#) [2834122-5](#) [2834135-2](#) [FLA-R4142-30](#)
[FLA-R4162-30](#) [FLA-R2142-30](#) [FLA-R2141-30](#) [FLA-R2162-30](#) [FLA-R2161-30](#) [FLA-R0161-30](#) [FLA-R0141-30](#) [FLA-R0142-30](#) [FLA-](#)
[R0162-30](#) [FLA-C00-00](#) [DGA00010553](#) [CNXV04NTP](#) [104128-0610](#) [503485-0000 \(Cut Strip\)](#) [503485-0000 \(Loose Piece\)](#) [503485-0000](#)
[\(MINI Reel\)](#) [1-2834074-2](#) [1-2834074-3](#) [1357-AC PLUG W2C \(CHINA\)](#) [1357-AC PLUG W2 \(USA\)](#) [104266-0110](#) [2106212-1](#) [2-2834074-2](#)
[104266-0210](#) [293470-1](#) [293651-2](#) [293651-4](#) [1-2834006-2](#) [293651-1](#)